

6

5

4

3

2

1

MATERIAL AND FINISH

Insulator (body&cover): PBT, VALOX 420-SEO, UL 94V-0 rated

Terminals A&B: Brass, Silver plated

Earth terminals: Brass, Silver plated

Terminal C: Phosphor bronze, Silver plated

Shield: Brass, Tin plated

MECHANICAL SPECIFICATIONS:

Insertion force: 3.5kg max

Withdrawal force: 0.5kg to 2.5kg

Performance test (no load): 1000 cycles @ 10 to 20 cycles/min

ELECTRICAL SPECIFICATIONS:

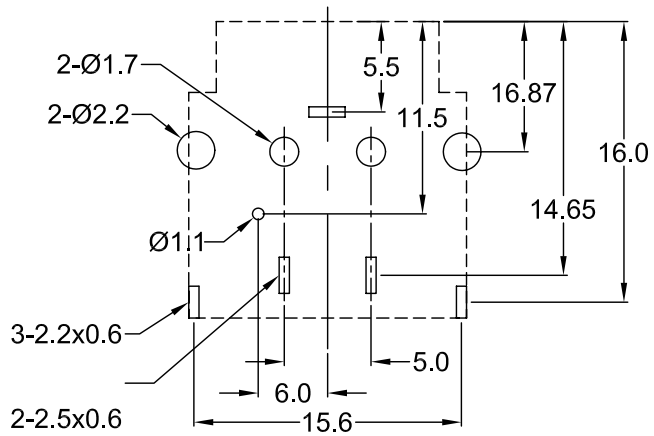
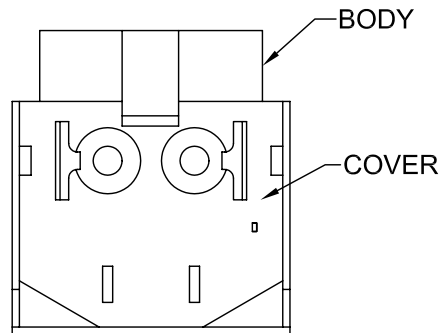
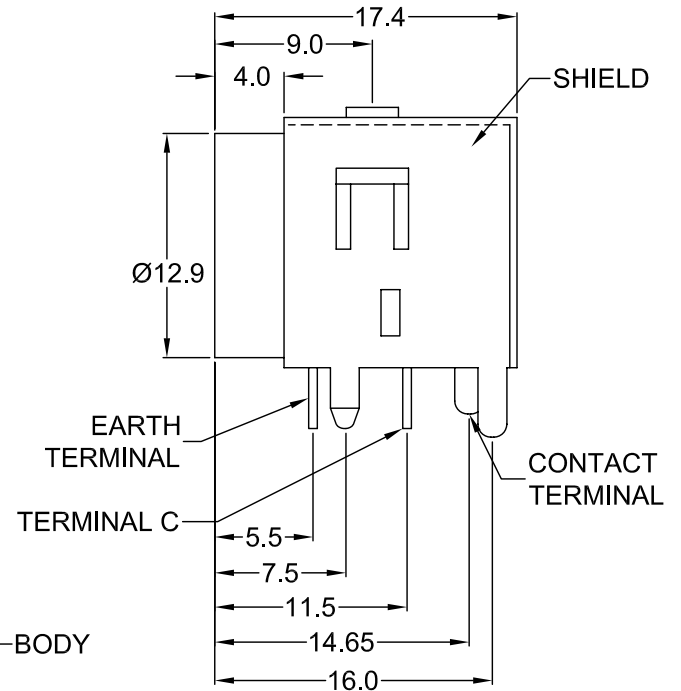
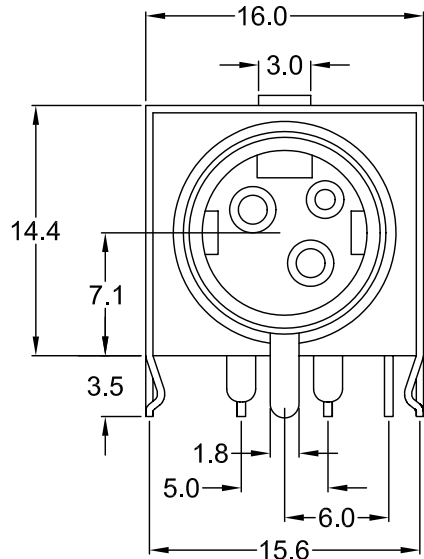
Rated current (pin A&B): 7.5A max @ 20 VDC

Pin C: 1A max @ 20 VDC

Insulation resistance: 50 Mohm min @ 250VDC (before any environmental test); 5 Mohm min @ 250VDC (after any environmental test)

Dielectric withstanding voltage: 250VAC for one minute

Contact resistance: 30 mohm max



RECOMMENDED
PCB LAYOUT
(TOP VIEW)

Distributed by Electro-Stock, Inc. sales@electrostock.com
630-682-1542 Fax 630-682-1562 http://www.electrostock.com

REV	DATE	CHANGE	CHNG	CHK	APPR
			CHNG	SHIELD PLATING	PB
A	5/19/05				

TOLERANCE UNLESS OTHERWISE SPECIFIED			
X	± 1		
X.X	± 0.4		
X.XX	± 0.20		
DRAWN BY	TD	DATE:	06/22/99
CHECK BY	PJP	DATE:	6/22/99
APPR BY	SS	DATE:	6/22/99

Power Dynamics, Inc.	
Phone: 973 560-0019 Whippany, New Jersey Fax: 973 560-0076	
PART: POWER SOCKET 3 PIN, SHIELDED	
DC-002S	
SIZE: A	ALL DIMENSIONS FOR REFERENCE ONLY DIMENSIONS ARE IN MILLIMETERS
SCALE: NTS	
SHEET 1 of 1	REV: A

6

5

4

3

2

1