

6

5

4

3

2

1

MATERIAL AND FINISH

Jacket Material: PVC

Pin contact: Brass

MECHANICAL SPECIFICATIONS:

Insertion Force: 7.2 kg max.

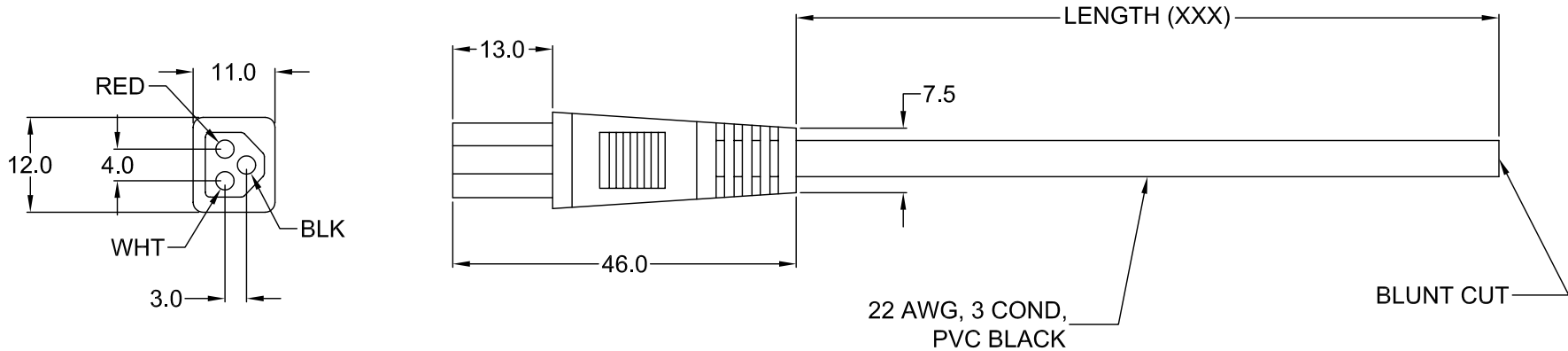
Withdrawal Force: 2.5 kg min.

ELECTRICAL SPECIFICATIONS:

Insulation resistance: 50 Mohm @ 250VDC

Dielectric withstanding voltage: 250VAC for one minute

Contact resistance: 30 mohm max



Distributed by Electro-Stock, Inc. sales@electrostock.com
 630-682-1542 Fax 630-682-1562 http://www.electrostock.com

REVISIONS	REV	DATE	CHANGE	CHNG	CHK	APPR
	A	2/24/03	ADD WIRE COLOR/PINOUT	PB	DT	PB

TOLERANCE UNLESS OTHERWISE SPECIFIED	
X	± 1
X.X	± 0.4
X.XX	± 0.20

Power Dynamics, Inc.
 Phone: 973 560-0019 Whippany, New Jersey Fax: 973 560-0076
PART: POWER CABLE ASSEMBLY
 XXXcm LONG; 22AWG; BLUNT CUT

DRAWN BY	SLS	DATE:	8/5/98
CHECK BY	AH	DATE:	10/30/98
APPR BY	LH	DATE:	120/30/98

PCA-XXX-22-085 SHEET 1 of 1
 PART #: **PCA-XXX-22-085**
 SIZE: A ALL DIMENSIONS FOR REFERENCE ONLY
 SCALE: NTS DIMENSIONS ARE IN MILLIMETERS
 REV: **A**

6

5

4

3

2

1