

6

5

4

3

2

1

**MATERIAL:**

Housing: NYLON 66, UL94V-2 Rated

Contacts: Brass, Tin Plated

**MECHANICAL SPECIFICATIONS:**

Applicable PC board thickness: 1.66mm

**ELECTRICAL SPECIFICATIONS:**

Rated Current: 7A AC/DC

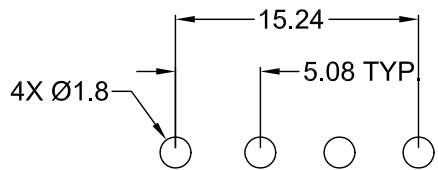
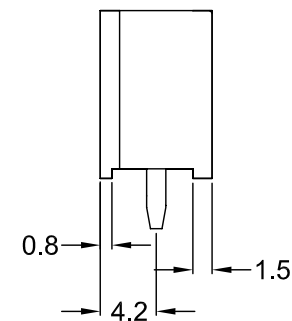
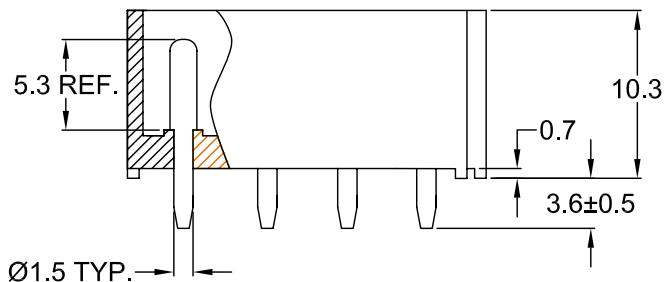
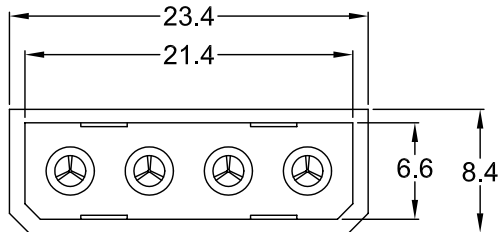
Rated Voltage: 250V AC/DC

Insulation Resistance: 1000 Mohms min. @ 500V

Dielectric Withstanding Voltage: 1500VAC for 1 minute

Contact Resistance: 10 mohms max.

Operating Temperature: -25°C ~ +85°C



RECOMMENDED  
PCB LAYOUT  
(TOP VIEW)

REVISIONS	CHNG	CHK	APPR
	CHANGE		PB
	DATE	4/13/01	
	REV	A	

TOLERANCE UNLESS OTHERWISE SPECIFIED	
X	± 1
X.X	± 0.4
X.XX	± 0.20
DRAWN BY	JA
DATE:	1/28/94
CHECK BY	
DATE:	
APPR BY	
DATE:	

**Power Dynamics, Inc.**  
 Phone: 973 560-0019 Whippany, New Jersey Fax: 973 560-0076

**PART: 4 PIN HEADER; 5.1mm PITCH  
 VERTICAL MOUNT**

**PM-001**

SIZE: A ALL DIMENSIONS FOR REFERENCE ONLY  
 SCALE: NTS DIMENSIONS ARE IN MILLIMETERS

SHEET 1 of 1  
 REV: A

6

5

4

3

2

1

6

5

4

3

2

1

MATERIAL AND FINISH

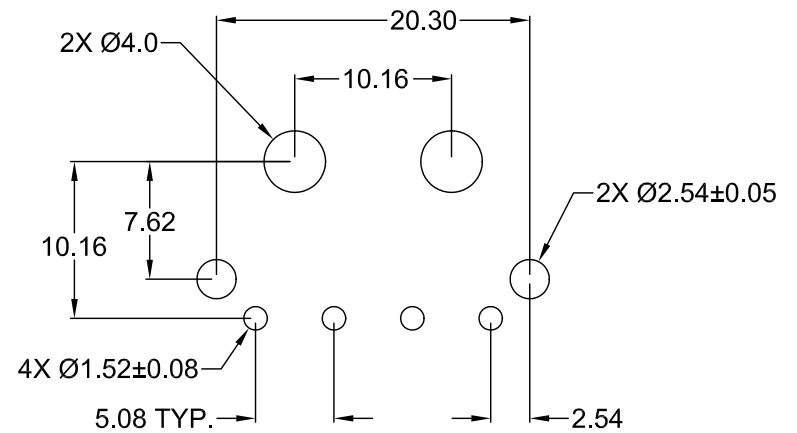
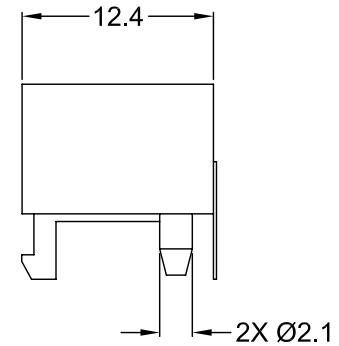
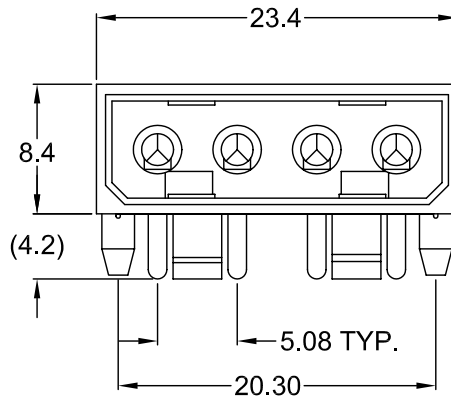
Insulator: Nylon 66, UL-94V-2 rated, color transparent white  
Contacts: Brass, Tin plated

ELECTRICAL SPECIFICATIONS:

Rated current: 7A  
Insulator resistance: 1000 Mohm min. @ 500Vdc  
Dielectric withstanding voltage: 1000Vac rms for 1 minute

ENVIRONMENTAL:

Operating temperature: -55°C to 105°C



RECOMMENDED PCB LAYOUT (TOP VIEW)

REVISIONS	REV	DATE	CHANGE	CHK	CHK	APPR
	A	11/2/03	UPDATED	TD	PB	

TOLERANCE UNLESS OTHERWISE SPECIFIED		
X	±	1
X.X	±	0.4
X.XX	±	0.20
DRAWN BY	PB	DATE: 8/11/00
CHECK BY	TD	DATE: 8/11/00
APPR BY	JJ	DATE: 8/11/00

**Power Dynamics, Inc.**  
Phone: 973 560-0019 Whippany, New Jersey Fax: 973 560-0076

PART: 4 POSITION POWER CONNECTOR  
5.08mm PITCH; RIGHT ANGLE

**PM-002**

SIZE: A  
SCALE: NTS

ALL DIMENSIONS FOR REFERENCE ONLY  
DIMENSIONS ARE IN MILLIMETERS

SHEET 1 of 1  
REV: A

6

5

4

3

2

1