

6

5

4

3

2

1

MATERIAL AND FINISH

Housing: Iron, Nickel plating
Contacts earth terminal: Bronze, Nickel plating
Tip terminal: Bronze, Nickel plating

MECHANICAL SPECIFICATIONS:

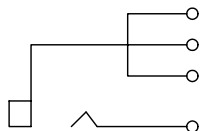
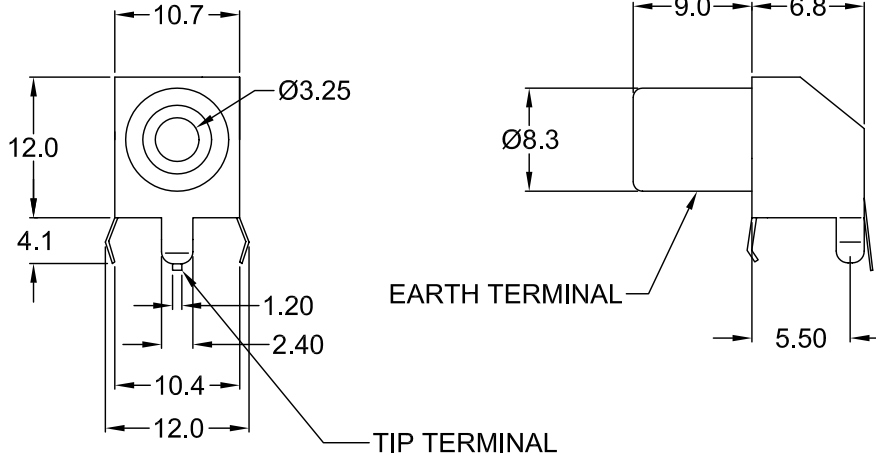
Insertion force: 3.0kg max.
Extraction force: 0.1kg to 3.0kg

ELECTRICAL SPECIFICATIONS:

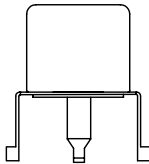
Current rating: 0.5A - 2A
Voltage rating: 40VDC
Insulation resistance: 100 Megaohm min. at 500 VDC
Dielectric withstanding strength: 500 VAC for 1 minute
Contact resistance: 30 milliohm max.

ENVIRONMENTAL:

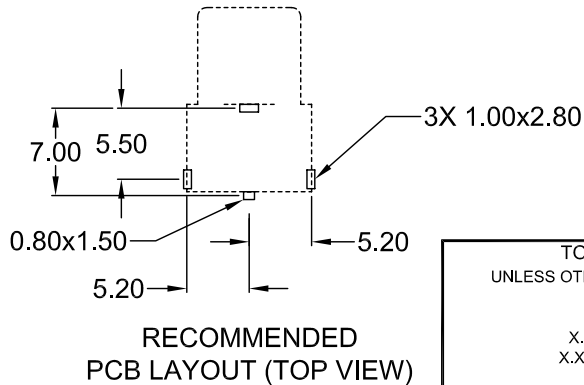
Operating temperature: -65°C to +120°C
Soldering temperature: 180°C for 7 seconds



SCHEMATIC



Distributed by Electro-Stock, Inc. sales@electrostock.com
630-682-1542 Fax 630-682-1562 http://www.electrostock.com



P/N	COLOR
RCA-061B	BLACK
RCA-061R	RED
RCA-061W	WHITE
RCA-061Y	YELLOW

REV	DATE	CHANGE	CHNG		CHK		APPR	
			ADDED	REMOVED	ADDED	REMOVED	ADDED	REMOVED
A	12/98	ADDED SOLDER TEMP.	AH					SS
B	4/25/00	REVISED & UPDATED	TD					JJ

TOLERANCE UNLESS OTHERWISE SPECIFIED	
X	± 1
X.X	± 0.4
X.XX	± 0.20

DRAWN BY: LFH	DATE: 8/25/98
CHECK BY: AH	DATE: 12/17/98
APPR BY: SS	DATE: 12/17/98

Power Dynamics, Inc.
Phone: 973 560-0019 Whippany, New Jersey Fax: 973 560-0076

PART: RIGHT ANGLE RCA JACK
PCB MOUNT TYPE

RCA-061X

PART #: **RCA-061X**

SIZE: A
SCALE: NTS

ALL DIMENSIONS FOR REFERENCE ONLY
DIMENSIONS ARE IN MILLIMETERS

SHEET 1 of 1
REV: B

6

5

4

3

2

1