

MATERIAL AND FINISH

Insulator: ABS, UL 94V-HB rated  
Contacts & Earth terminal: Bronze, Nickel plated  
Tip terminal: Bronze, Nickel plated

MECHANICAL SPECIFICATIONS:

Insertion force: 3.0kg max.  
Withdrawal force: 0.1 - 3.0kg  
Durability: 5000 cycles @ 40 cycles / minute

ELECTRICAL SPECIFICATIONS:

Rated current: 0.5A  
Rated Voltage: 30VDC  
Insulation resistance: 100 Mohm min. @ 500VDC  
Dielectric withstanding voltage: 500VAC for one minute  
Contact resistance: 30 mohm

SOLDERABILITY:

Manual soldering: 350°C for 4 second

ENVIRONMENTAL:

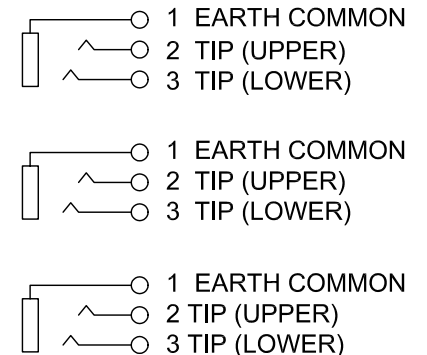
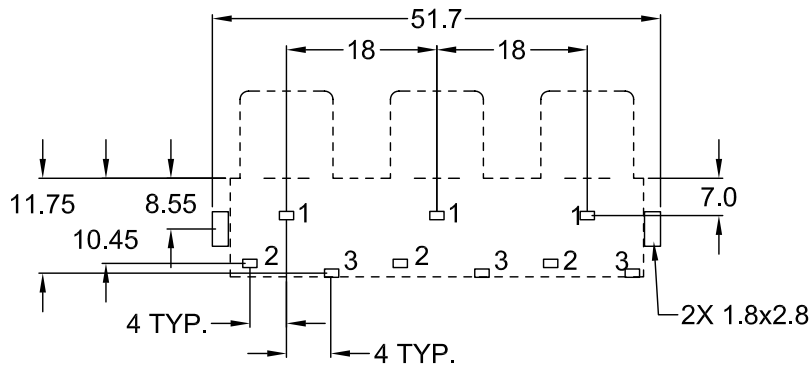
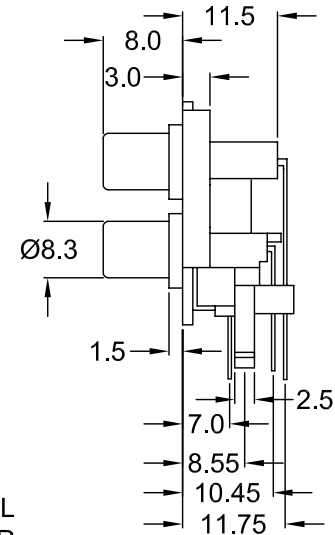
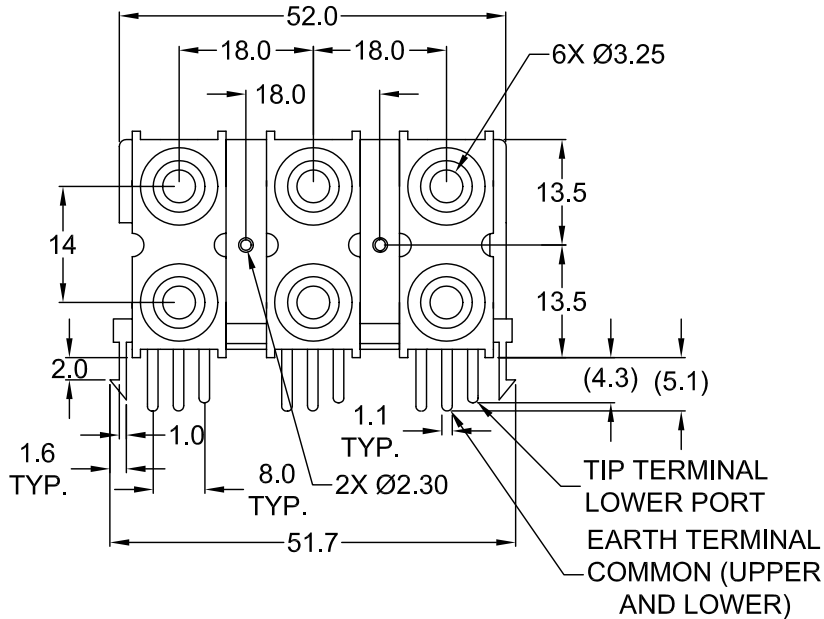
Operating temperature: -10°C ~ +60°C

NOTE:

Replace first X in part number with color of top jack and second X with color of bottom jack.

Available colors:

B = Black, R = Red, W = White, G= Green, BL = Blue & Y = Yellow



RECOMMENDED PCB LAYOUT (TOP VIEW)

SCHEMATIC

Distributed by Electro-Stock, Inc. sales@electrostock.com  
630-682-1542 Fax 630-682-1562 http://www.electrostock.com

TOLERANCE UNLESS OTHERWISE SPECIFIED	
X	± 1
X.X	± 0.4
X.XX	± 0.20
DRAWN BY	SS
CHECK BY	TD
DATE:	8/12/99
DATE:	8/13/99
APPR BY	
DATE:	

**Power Dynamics, Inc.**

Phone: 973 560-0019 Whippany, New Jersey Fax: 973 560-0076

PART: STACKED RCA JACK; RIGHT  
ANGLE PCB MOUNT

RCA-096XX

SIZE: A  
SCALE: NTS

ALL DIMENSIONS FOR REFERENCE ONLY  
DIMENSIONS ARE IN MILLIMETERS

SHEET 1 of 1  
REV: B

REV	DATE	8/27/01	10/18/02
	CHANGE	UPDATED DRAWING	REVISED
CHNG	CHECK	PB	TD
	APPR	PB	PB