

6

5

4

3

2

1

**MATERIAL AND FINISH**

Insulator: ABS, UL94-HB rated.  
Earth terminal (barrel): Steel, Nickel plated  
Tip terminal: Bronze, Silver plated

Distributed by Electro-Stock, Inc. sales@electrostock.com  
630-682-1542 Fax 630-682-1562 http://www.electrostock.com

**MECHANICAL SPECIFICATIONS:**

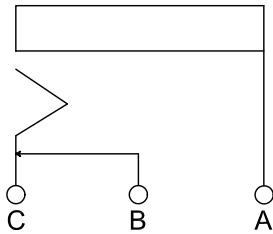
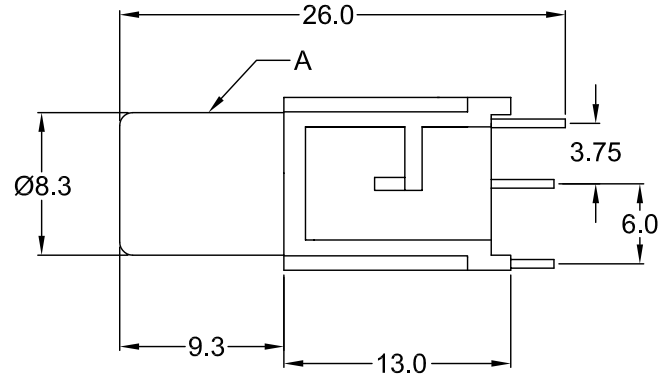
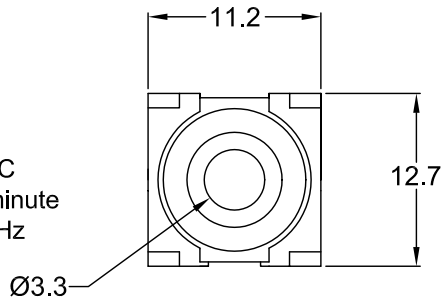
Insertion force: 3kg max.  
Extraction force: 0.1kg ~ 3kg

**ELECTRICAL SPECIFICATIONS:**

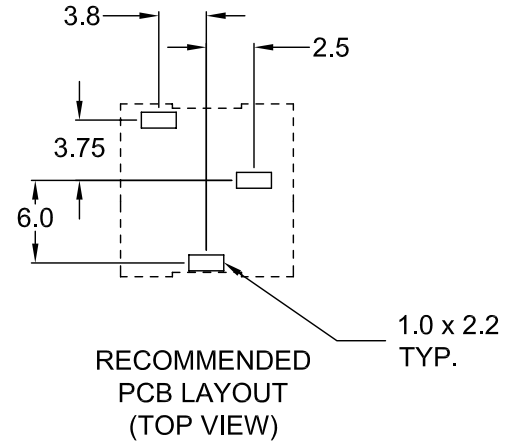
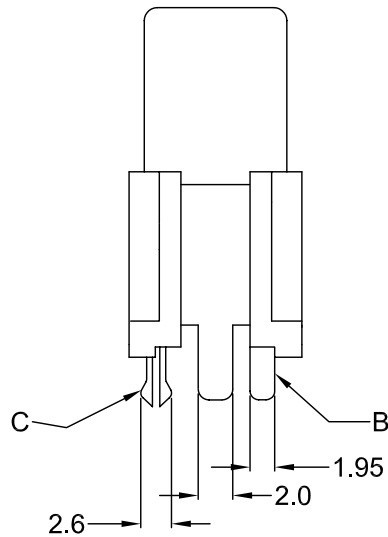
Insulator resistance: 100 Mohm min. at 500 VDC  
Dielectric withstanding voltage: 500VAC for 1 minute  
Initial contact resistance: 30 mohm max. at 1 KHz  
Current rating: 0.5A @ 30VDC

**ENVIRONMENTAL:**

Operating temperature: -40°C to +88°C  
Soldering temperature: 260°C for 5 seconds



**SCHEMATIC**



**RECOMMENDED PCB LAYOUT (TOP VIEW)**

REVISIONS	CHNG	CHK	APPR
	DATE	DATE	DATE
	REV	DATE	DATE
	A	12/19/00	

P/N	COLOR
RCA-151B	BLACK
RCA-151R	RED
RCA-151W	WHITE
RCA-151Y	YELLOW

TOLERANCE UNLESS OTHERWISE SPECIFIED	
X	± 1
X.X	± 0.4
X.XX	± 0.20
DRAWN BY	SLS
CHECK BY	AH
APPR BY	LH
DATE:	8/16/95
DATE:	11/12/98
DATE:	11/12/98

**Power Dynamics, Inc.**  
Phone: 973 560-0019 Whippany, New Jersey Fax: 973 560-0076

PART: RCA JACK, VERTICAL PCB MOUNT

**RCA-151X**

SIZE: A  
SCALE: NTS

ALL DIMENSIONS FOR REFERENCE ONLY  
DIMENSIONS ARE IN MILLIMETERS

SHEET 1 of 1  
REV: A

6

5

4

3

2

1