



FEATURES

- Handles from signal level to 5 amps
- 1 Form A contact form
- Ultra Slim, 5 MM package
- SIL terminal pattern
- Terminals on 1/10 in grid pattern
- 2 Kv dielectric between coil and contacts
- Sealed, immersion cleanable



File # E86876

UL/CSA RATINGS

Load Type	All Forms All Contacts
General Use	3A or 5A at 30VDC / 250VAC
Resistive	3A or 5A at 30VDC / 250VAC
Minimum Load	0.1 mA @ 0.1 VDC

CONTACT DATA

Material		AgCdO (Silver Cadmium Oxide) AgCdO+Au (Silver Cad Oxide Gold Clad)
Initial Contact Resistance		100 milliohms max @ 0.1A, 6VDC
Service Life	Mechanical	2 X 10 ⁷ Operations
	Electrical	1 X 10 ⁵ Operations

CHARACTERISTICS

Operate Time	6 ms. Max.
Release Time	3 ms. Max.
Insulation Resistance	1000 megohms min, at 500VDC, 50%RH
Dielectric Strength	2000 Vrms, 1 min. between coil and contacts 1000 Vrms, 1 min. between open contacts
Shock Resistance	10 g, 11ms, functional; 100 g, destructive
Vibration Resistance	DA 2.5 mm, 10 - 55 Hz
Power Consumption	.12W
Ambient Temperature Range	-40 to 70 C operating for class B, -40 to 130 C storage
Weight	3 grams approx.

ORDERING INFORMATION

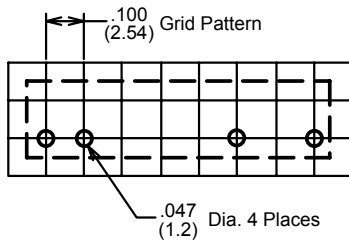
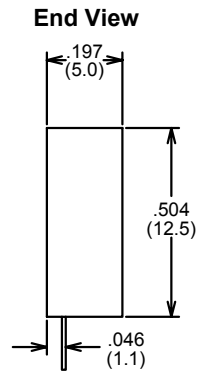
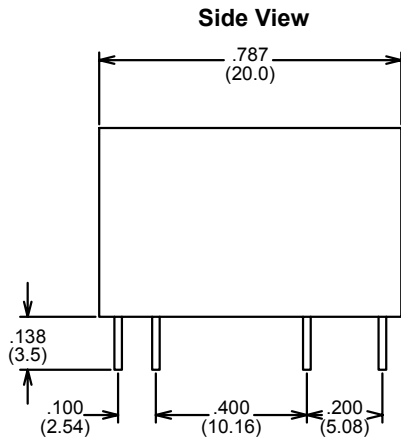
Example:	PC457	-1A	-12	S	-5
Model					
Contact Form					
1A					
Coil Voltage					
Enclosure					
S: Sealed; C: Flux Free					
Contact Rating					
3: 3 AMP; 5: 5 AMP					

COIL DATA

Coil Voltage	Resistance ohms $\pm 10\%$	Must Operate Voltage Max. (VDC)	Must Release Voltage Min. (VDC)	Continuous Voltage Max. (VDC)
3	75	2.2	0.15	3.3
5	208	3.5	0.25	5.5
6	300	4.2	0.30	6.6
9	675	6.3	0.45	9.9
12	1200	8.4	0.60	13.2
18	2700	12.6	0.90	19.8
24	3200	16.8	1.20	26.4

Note: Custom coil voltages within the ranges shown are available on special order.

**Dimensions in Inches (millimeters)
Drawings are 2X actual size**



Hole Pattern



Wiring Diagram

Notes:

Tolerances $\pm .010$ unless otherwise noted
 Relays previously tested or used above 10mA at 6VDC or higher
 are not recommended for subsequent use in low level applications



Distributed by Electro-Stock, Inc. sales@electrostock.com 630-682-1542 Fax 630-682-1562 http://www.electrostock.com