

## 30 Amp Power Relay

## PC730



### FEATURES

- 1/4 inch male QC terminals
- Up to 30 amp switching capacity
- Up to 1 1/2 horsepower rating
- Smallest 30 amp 2 pole relay
- Convenient flanged case or PC mounting
- 2A or 2C contact configuration
- RoHS compliant



### UL/CUR RATINGS

Load Type	Voltage	All Contacts
General Purpose	250 VAC	30 A
	277 VAC	20 A
	28 VDC	20 A
Resistive	250 VAC	30 A
	277 VAC	20 A
	120 VAC	30 A
Motor	240 VAC	1 1/2 HP
	120 VAC	1 HP

### CONTACT DATA

Material		AgCdO (Silver Cadmium Oxide)
Initial Contact Resistance		50 milliohms max @ 1A, 6VDC
Service Life	Mechanical	1 X 10 <sup>7</sup> Operations
	Electrical	1 X 10 <sup>5</sup> Operations

### CHARACTERISTICS

Operate Time	15 ms. Max.
Release Time	10 ms. Max.
Insulation Resistance	500 megohms min, at 500VDC, 50%RH
Dielectric Strength	2500 Vrms, 1 min. between coil and contacts 1500 Vrms, 1 min. between open contacts 2500 Vrms, 1 min. between contact poles
Shock Resistance	10 g, 11ms, functional; 100 g, destructive
Vibration Resistance	DA 2 mm, 10-50 Hz
Power Consumption	DC coil 1.8 W, AC coil 4 VA
Ambient Temperature Range	-40 to 70 C, -40 to 130 C storage
Weight	70 grams approx.

### ORDERING INFORMATION

Example:	PC730	-2C	-C3	-120 A
Model				
Contact Form	2A, or 2C			
Mounting Style	C1 : Side Flange, C3: Top Flange, P: PC Terminals			
Coil Voltage	XXD: 6 thru 48 VDC or XXX A: 6 thru 277 VAC			

Distributed by Electro-Stock, Inc sales@electrostock.com  
 630-682-1542 Fax 630-682-1562 http://www.electrostock.com

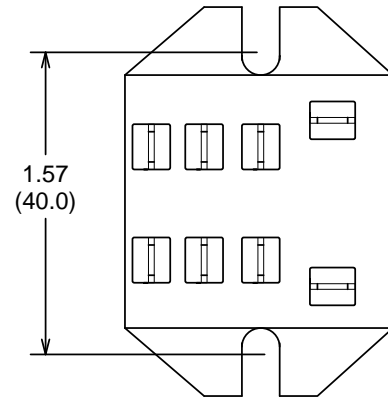
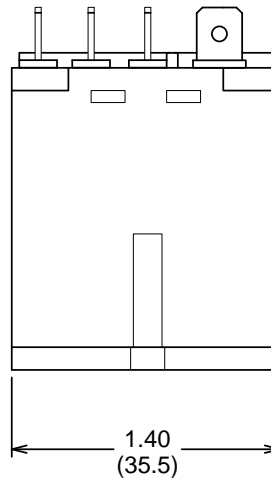
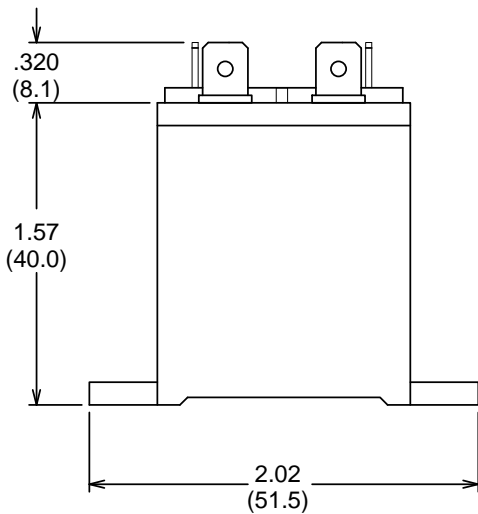
**COIL DATA**

Voltage Type	Coil Voltage	Resistance ohms ± 10%	Coil Power	Must Operate Voltage Max.	Must Release Voltage Min.
DC	6	20	1.8 W	4.5	0.6
	9	45		6.75	0.9
	12	80		9	1.2
	18	180		13.5	1.8
	24	320		18	2.4
	48	1280		36	4.8
AC	6	3.15	4 VA	5.1	1.8
	12	12.6		10.2	3.6
	24	50.4		20.4	7.2
	48	201		40.8	14.4
	120	1260		102	36
	220	4235		187	66
	240	5040		204	72
	277	6712		236	83

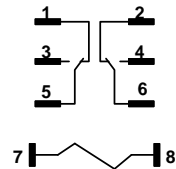
Note: Custom coil voltages within the ranges shown are available on special order.

Dimensions in Inches (Millimeters)

**Top Flange Case**



Wiring Diagram



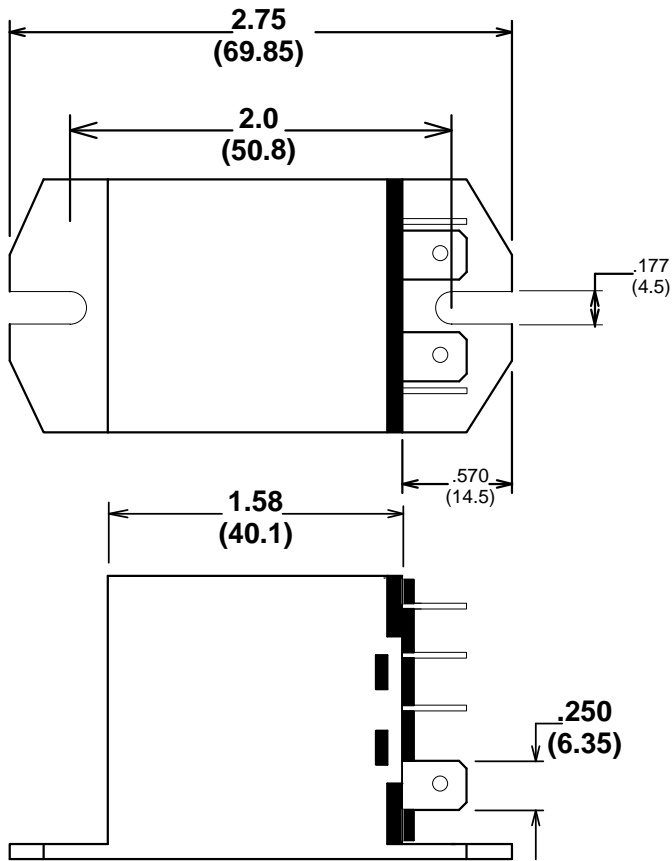
Tolerances ± .010 unless otherwise noted



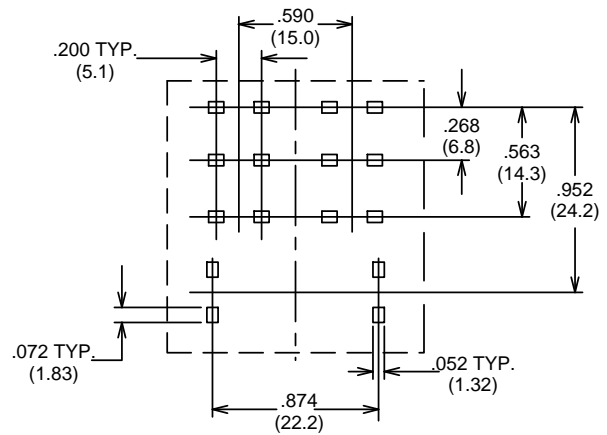
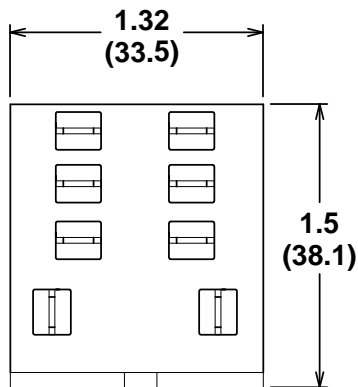
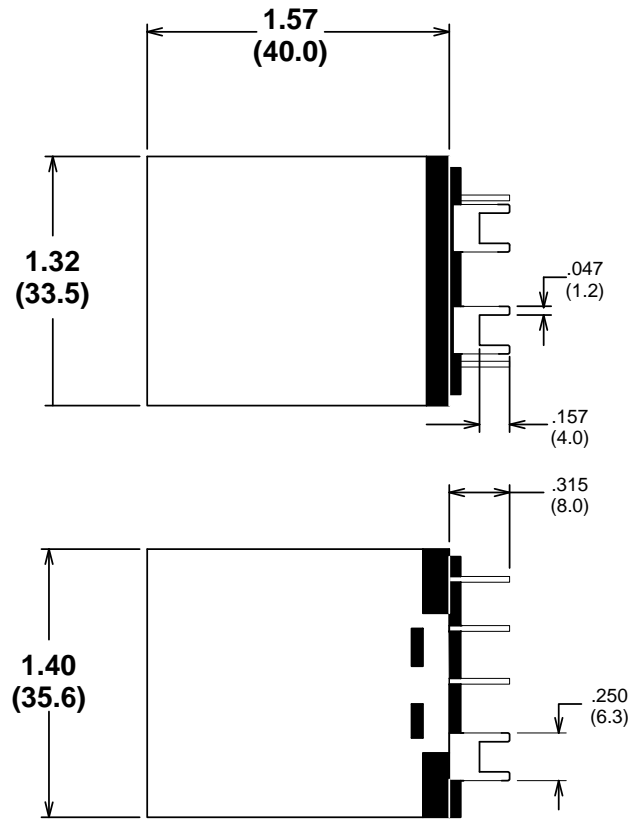
3220 Commander Drive, Suite 102, Carrollton, Texas 75006

Sales: Call Toll Free (888) 997-3933 Fax (818) 342-5296 email: pickerwest@sbcglobal.net

### C1 Side Flange Case



### Printed Circuit Board Mounting



Distributed by Electro-Stock, Inc sales@electrostock.com  
 630-682-1542 Fax 630-682-1562 http://www.electrostock.com

Rectangular .052 by .072 holes are recommended.  
 .076 (1.93) Diameter round holes on the above  
 center to center spacing may be used.

Tolerances ± .010 unless otherwise noted



3220 Commander Drive, Suite 102, Carrollton, Texas 75006

Sales: Call Toll Free (888) 997-3933 Fax (818) 342-5296 email: pickerwest@sbcglobal.net