

## 30 Amp Power Relay

## PC737



### FEATURES

- 1/4 inch male QC terminals
- Up to 30 amp switching capacity
- Up to 1 1/2 horsepower rating
- Heavy duty double make double break contacts
- Available with push to test button
- Available with indicator light
- Available with side or top mounting flange

 File # E93379  Certificate # LR 109231

### UL/CSA RATINGS

Load Type	Voltage	All Versions All Contacts
General Purpose	120 VAC	30 A
	277 VAC	30 A
	28 VDC	30 A
Resistive	120 VAC	30 A
	277 VAC	30 A
	600 VAC	15 A
Motor	200-600 VAC	1 1/2 HP
	120 VAC	1 HP

### CONTACT DATA

<b>Material</b>	AgCdO (Silver Cadmium Oxide)	
<b>Initial Contact Resistance</b>	50 milliohms max @ 1A, 6VDC	
<b>Service Life</b>	<b>Mechanical</b>	1 X 10 <sup>7</sup> Operations
	<b>Electrical</b>	1 X 10 <sup>5</sup> Operations

### CHARACTERISTICS

<b>Operate Time</b>	20 ms. Max.
<b>Release Time</b>	10 ms. Max.
<b>Insulation Resistance</b>	1,000 megohms min, at 500VDC, 50%RH
<b>Dielectric Strength</b>	2200 Vrms, 1 min. between coil and contacts 1500 Vrms, 1 min. between open contacts 1600 Vrms, 1 min. between contact circuits
<b>Shock Resistance</b>	10 g, 11ms, functional; 100 g, destructive
<b>Vibration Resistance</b>	DA 2 mm, 10-50 Hz
<b>Power Consumption</b>	DC coil 1.2 W, AC coil 3 VA
<b>Ambient Temperature Range</b>	-40 to 70 C, -40 to 130 C storage
<b>Weight</b>	80 grams approx.

### ORDERING INFORMATION

Example:	PC737	1Z-	C1-	LM	120 A
Model					
Contact Form	1X (SPSTNO), 1Y (SPSTNC), or 1Z (SPDT)				
Case Style	C: Plain Case, C1: Side Flange, C3: Top Flange				
Options	Nil: None; L: Indicator light; M: Push to test				
Coil Voltage Code	XXX VDC or XXX VAC				

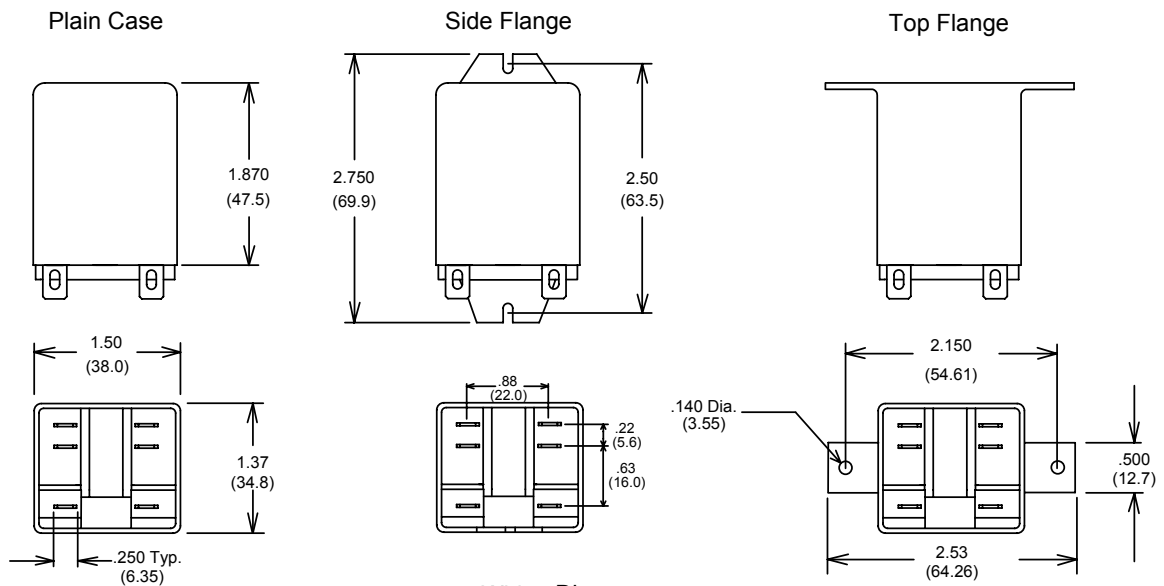
Distributed by Electro-Stock, Inc. sales@electrostock.com 630-682-1542 Fax 630-682-1562 <http://www.electrostock.com>

COIL DATA

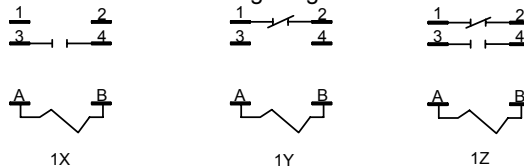
Voltage Type		Coil Voltage Code	Resistance ohms $\pm 10\%$	Coil Power	Must Operate Voltage Max.	Must Release Voltage Min.	
DC	1X	06	32	1.5 W	4.5	0.6	
		12	120		9.0	1.2	
		24	472		18	2.4	
	1Y	48	1800		36	4.8	
		110	10000		82.5	11.0	
		1Z	06		24	4.5	0.6
			12		96	9.0	1.2
	24		384		18	2.4	
		48	1536		36	4.8	
		110	9600		82.5	11.0	
AC		12	18.0	3.4 VA	93.5	1.2	
		24	72.0		19.2	2.4	
		120	1700		102	12.0	
		240	7200		204	24.0	

Note: Custom coil voltages within the ranges shown are available on special order.

Dimensions in Inches (Millimeters)



Wiring Diagrams



Tolerances  $\pm .010$  unless otherwise noted

