

40 Amp Power Relay

PC740



FEATURES

- 1/4 inch male QC terminals
- Up to 40 amp switching capacity
- Up to 2 horsepower rating
- Four mounting styles
- AC coils up to 240 V, DC coils up to 110 V
- RoHS compliant

 File # E93379

UL RATINGS

Load Type	Voltage	2 Pole All Contacts	3 Pole All Contacts
General Purpose	120 VAC	40 A	40 A
	250 VAC	40 A	30 A
	28 VDC	40 A	30 A
Resistive	120 VAC	40 A	40 A
	250 VAC	40 A	30 A
	28 VDC	40 A	30 A
Motor	240 VAC	2 HP	
	120 VAC	1 1/2 HP	

CONTACT DATA

Material		AgCdO (Silver Cadmium Oxide)
Initial Contact Resistance		50 milliohms max @ 1A, 24VDC
Service Life	Mechanical	1 X 10 ⁷ Operations
	Electrical	1 X 10 ⁵ Operations

CHARACTERISTICS

Operate Time	15 ms. Max.
Release Time	10 ms. Max.
Insulation Resistance	500 megohms min, at 500VDC, 50%RH
Dielectric Strength	2500 Vrms, 1 min. between coil and contacts 1500 Vrms, 1 min. between open contacts 1500 Vrms, 1 min. between contact poles
Shock Resistance	10 g, 11ms, functional; 100 g, destructive
Vibration Resistance	DA 2 mm, 10-50 Hz
Power Consumption	DC coil 2.5 W, AC coil 5.5 VA
Ambient Temperature Range	-40 to 70 C, -40 to 130 C storage
Weight	115 grams approx.

ORDERING INFORMATION

Example:	PC740-	2C-	C1-	120 A
Model				
Contact Form				
1C, 2C, or 3C				
Case Style C: Plain Case, C1: Side Flange				
C3: Top Flange, C4: Plain Case Base with Inserts				
Coil Voltage				
XXX D or XXX A				

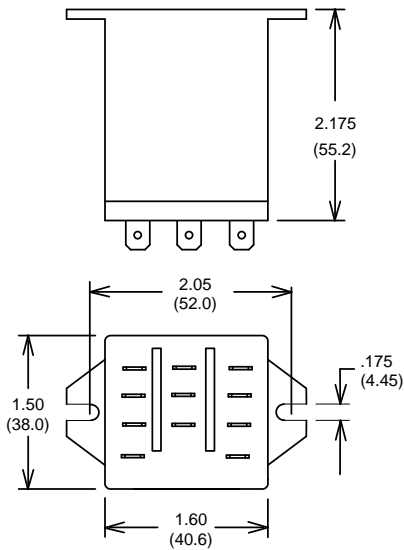
Distributed by Electro-Stock, Inc. sales@electrostock.com 630-682-1542 Fax 630-682-1562 <http://www.electrostock.com>

COIL DATA

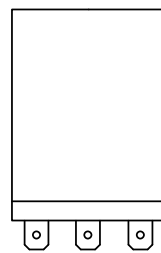
Voltage Type	Coil Voltage	Resistance ohms $\pm 10\%$	Coil Power	Must Operate Voltage Max.	Must Release Voltage Min.
DC	6	14.4	2.5 W	4.5	0.6
	12	57.6		9.0	1.2
	24	230		18	2.4
	48	920		36	4.8
	60	1440		45	6.0
	110	4840		82.5	11
AC	6	2.3	5.5 VA	4.8	1.8
	9	5.2		7.2	2.7
	12	9.2		9.6	3.6
	18	20.6		14.4	5.4
	24	36.7		19	7.2
	48	147		38.4	14.4
	120	770		88	33
	220	3080		176	66

Note: Custom coil voltages within the ranges shown are available on special order.

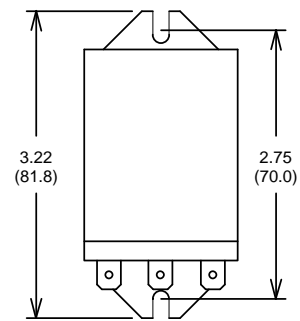
Dimensions in Inches (Millimeters)



Top Flange Case
Code C3

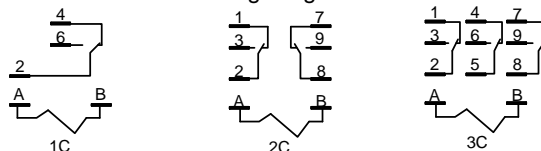


Plain Case
Code C



Side Flange Case
Code C1

Wiring Diagrams



Tolerances $\pm .010$ unless otherwise noted

