

30 AMP Panel Mount or PCB Power Relay

PTRH-T



FEATURES

- Panel or PC mount with QC terminals for the load
- Up to 30 amp switching capacity
- Up to 2 horsepower rating
- Gold flashed contacts available
- UL Class B insulation standard
- UL Class F insulation available
- UL 873 spacing standard
- Epoxy sealed, immersion cleanable

 File # E93379  Certificate # LR 109231

UL/CSA RATINGS

Load Type	Voltage	1 Form A (SPST-NO)	1 Form B (SPST-NC)	1 Form C (SPDT)	
				NO	NC
General Purpose	120 VAC	30 A	20 A	30 A	20 A
	250 VAC	30 A	20 A	30 A	20 A
	30 VDC	30 A	20 A	30 A	20 A
Resistive (100,000 cycles)	120 VAC	30 A	20 A	30 A	20 A
	250 VAC	30 A	20 A	30 A	20 A
Motor (30,000 cycles)	250 VAC	2 HP	—	2 HP	—
	120 VAC	1 HP	—	1 HP	—
LRA/FLA (locked rotor amps/full load amps)	250 VAC	80 A/30 A	—	80 A/30 A	—
	120 VAC	96 A/30 A	—	96 A/30 A	—

CONTACT DATA

Material	AgCdO (Silver Cadmium Oxide), AgCdO+Au (Silver Cadmium Oxide with Gold flash)	
Initial Contact Resistance	50 milliohms max @ 0.1A, 6VDC	
Service Life	Mechanical	1 X 10 ⁷ Operations
	Electrical	1 X 10 ⁵ Operations

CHARACTERISTICS

Operate Time	15 ms. typical
Release Time	10 ms. typical
Insulation Resistance	1,000 megohms min, at 500VDC, 50%RH
Dielectric Strength	1500 Vrms, 1 min. between open contacts
	1500 Vrms, 1 min. between coil and contacts
Shock Resistance	10 g, 11ms, functional; 100 g, destructive
Vibration Resistance	DA 1.5mm, 10-55 Hz
Power Consumption	0.9W, approx.
Ambient Temperature Range	-55 degrees C to 85 degrees C operating for class B, -40 to 130 degrees C storage
Weight	30 grams approx.

PTRH-T Rev D 3-25-04

Distributed by Electro-Stock, Inc. sales@electrostock.com 630-682-1542 Fax 630-682-1562 <http://www.electrostock.com>

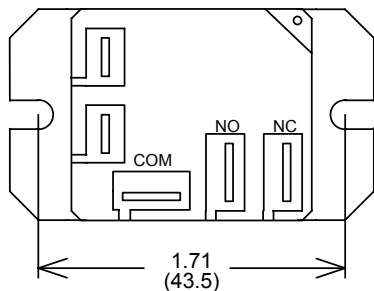
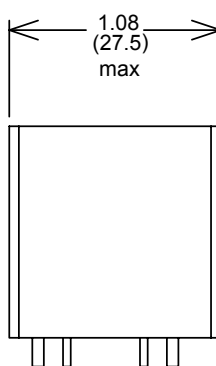
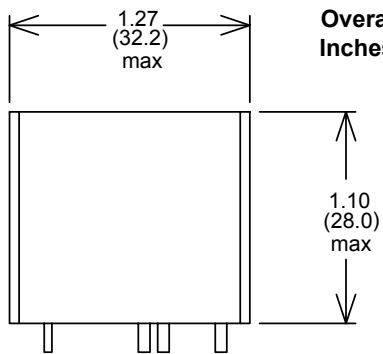
ORDERING INFORMATION

Example:	PTRH	-1C	-12	S	G	F	-T5
Model							
Contact Form	1A, 1B, or 1C						
Coil Voltage							
Configuration	Nil: Open Frame; C: Dust Cover S: Sealed plastic case						
Contact Material	Nil: AgCdO; T: AgSnO; G: AgCdO+Au						
Insulation Material	Nil: UL Class B; F: UL Class F						
Mounting Type	T2: Form 1A PCB & QC, T3: Form 1C PCB & QC, T4: 1A Panel all QC, T5: 1C Panel all QC						

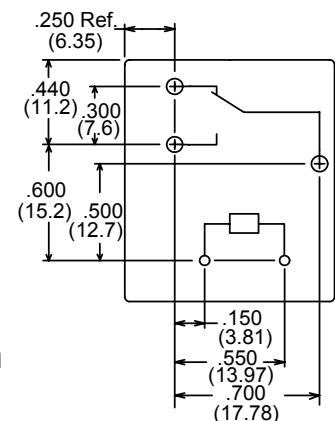
COIL DATA

Coil Voltage	Resistance ohms $\pm 10\%$	Must Operate Voltage Max. (VDC)	Must Release Voltage Min. (VDC)	Continuous Voltage Max. (VDC)
5	27	3.75	0.5	5.5
6	40	4.50	0.6	6.6
9	97	6.75	0.9	9.9
12	155	9.00	1.2	13.2
24	660	18.00	2.4	26.4
48	2560	36.00	4.8	52.8
110	10330	82.50	11.0	121.0

Note: Custom coil voltages within the ranges shown are available on special order.



**Pin Layout
Bottom View
Including Schematic**



Notes:

- Breakable nib may be removed after flux removal.
- PC mount has .250 male QC terminals for load.
- Panel mount has .250 male QC terminals for the load and .187 male QC terminals for the coil.
- Tolerances $\pm .010$ unless otherwise noted
- Holes for load term. $.081 \pm .005$ Dia. ($2.06 \pm .13$)
- Holes for Coil term. $.043 \pm .003$ Dia. ($1.09 \pm .08$)

