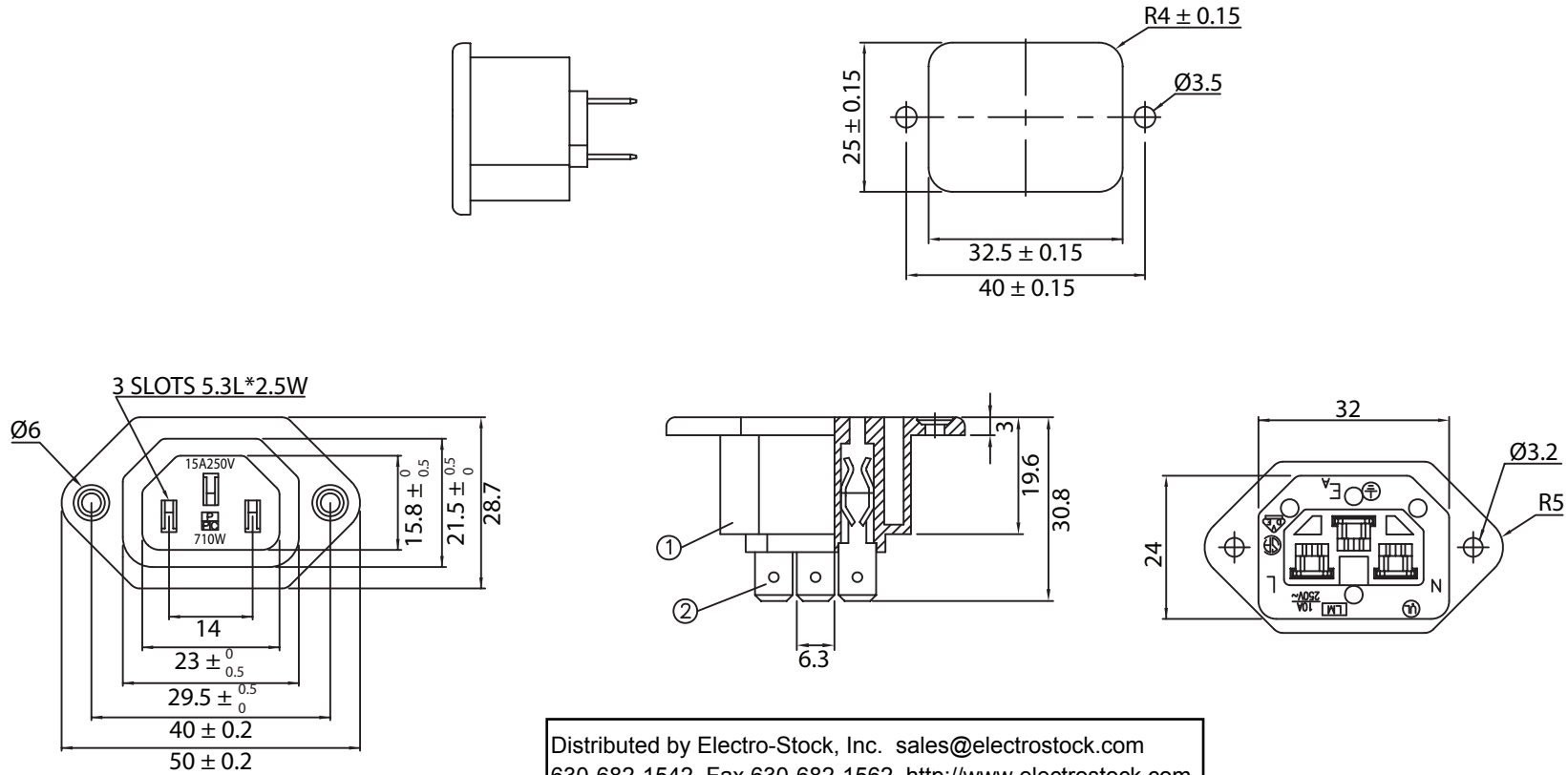


THESE DRAWINGS ARE THE PROPERTY OF QUALTEK ELECTRONICS AND NOT TO BE REPRODUCED FOR OR COMMUNICATED TO A THIRD PARTY WITHOUT THE EXPRESS WRITTEN PERMISSION OF AN OFFICER OF QUALTEK ELECTRONICS.

| REVISION | | | |
|----------|-----------------|----------|----------|
| REV. | DESCRIPTION | DATE | APPROVED |
| B | RoHS Compliancy | 06-01-06 | DP |
| | | | |



Distributed by Electro-Stock, Inc. sales@electrostock.com
630-682-1542 Fax 630-682-1562 http://www.electrostock.com

CONTROLLED

NOTES:

MATERIAL:

HOUSING: THERMOPLASTIC
TERMINAL: COPPER ALLOY

RATING:

UL, CSA: 15A 250V AC
VDE: 10A 250V AC

INSULATION RESISTANCE: OVER 100 OHM 500V DC

DIELECTRIC STRENGTH: 2000V AC ONE MINUTE

APPROVALS: UL, CSA, VDE

RoHS COMPLIANT

| | | |
|--|---|-----------------------|
| 2 | Soldering PIN Brass Strip t=0.8mm NI-Plated | 3 |
| 1 | Body Insulator PBT Black | 1 |
| Dim range (mm) | | Tolerance +/- (mm) |
| 0-1 | | 0.15 |
| 1-6 | | 0.20 |
| 6-18 | | 0.30 |
| 18-50 | | 0.50 |
| 50-120 | | 0.70 |
| 120-250 | | 0.90 |
| 250-500 | | 1.20 |
| Qualtek Electronics Corp. PPC DIVISION | | |
| Part Number: 710W-00/03 | | RoHS Compliant |
| Description: AC RECEPTACLE | | |
| UNIT: mm | | REV. B |
| Drawn / Date | Checked / Date | Approved / Date |
| B.ZHANG 03-01-04 | 03-01-04 | JJH / 03-01-04 |