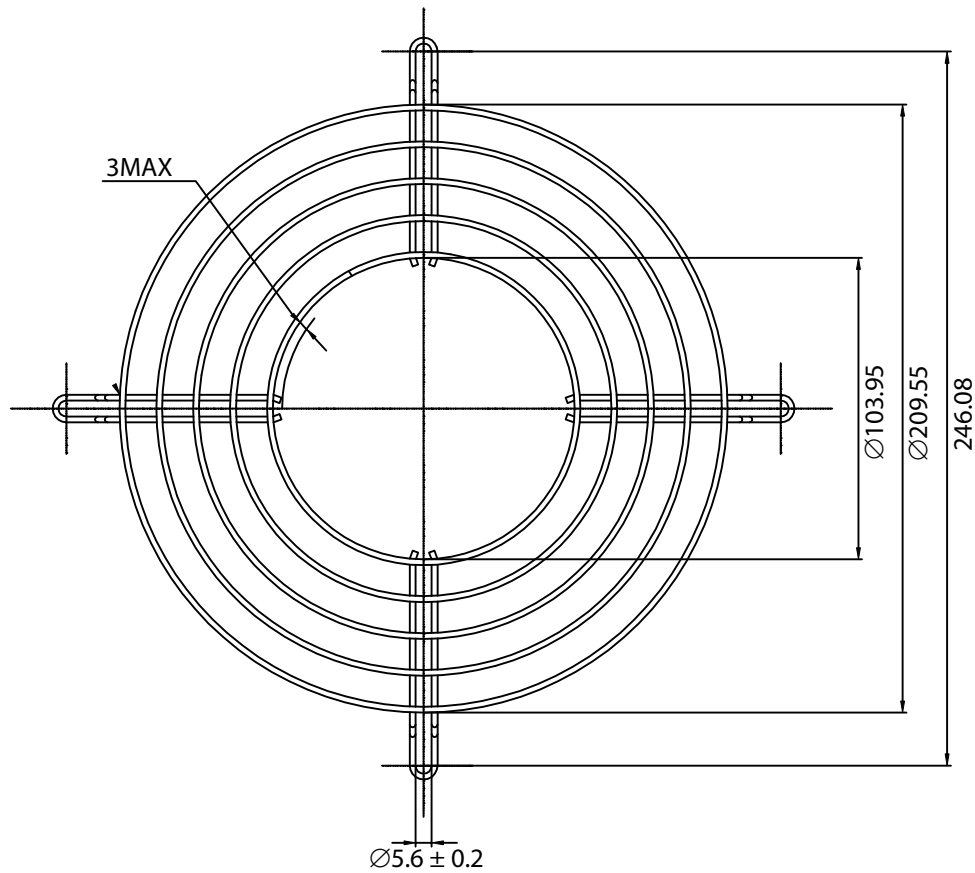


REVISION			
REV.	DESCRIPTION	DATE	APPROVED
A	RoHS Compliancy	06-01-06	DP

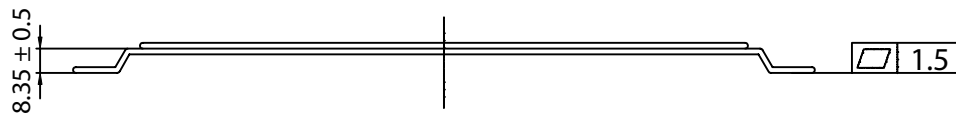


NOTES:

1. MATERIAL: C1008 BRIGHT BASIC WIRE
2. FINISH: ZINC PLATING
3. 0.35 ± 0.05 DEPTH OF SERRATIONS ON WIRE
4. RING:  $\varnothing 2.0 \pm 0.1\text{mm}$   
RIB:  $\varnothing 2.0 \pm 0.1\text{mm}$
5. GENERAL TOLERANCE UNLESS NOTED IS  $\pm 0.76\text{mm}$
6. RoHS COMPLIANT

Distributed by Electro-Stock, Inc. sales@electrostock.com  
630-682-1542 Fax 630-682-1562 http://www.electrostock.com

**CONTROLLED**



THESE DRAWINGS ARE THE PROPERTY OF QUALTEK ELECTRONICS AND NOT TO BE REPRODUCED FOR OR COMMUNICATED TO A THIRD PARTY WITHOUT THE EXPRESS WRITTEN PERMISSION OF AN OFFICER OF QUALTEK ELECTRONICS.

Dim range (mm)	Tolerance +/- (mm)	Qualtek Electronics Corp. FAN-S DIVISION		
		Part Number:	08154-01	
0-5	0.1	Description: WIRE FORM FAN GUARD (254mm)		
5-16	0.15		UNIT: mm	REV: A
16-64	0.2	Drawn / Date	Checked / Date	Approved / Date
64-250	0.4	B.ZHANG 11-17-03	11-17-03	JJH / 11-17-03
250-1000	0.5			
1000-1500	1.0			