



ROSE+BOPLA
ENCLOSURES

A PHOENIX MECANO COMPANY

**Aluminum Wateright 01 Enclosures
Unpainted
Product Drawings
Last Updated 6/17/2008**

Dimensional Drawings

Basic Boxes



TECHNICAL DATA:

- Color: Unpainted Version—Bare Aluminum. Special colors are available. See paint specifications in the Technical Information Chapter.
- Material: Aluminum, AL Si 12, see Aluminum specification sheets in the Technical Information Chapter.
- Gasket Temperature Range:
 - Neoprene Gasket -40°F to +212°F
 - Silicone Gasket -76°F to +266°F
 - RFI Gasket -40°F to +392°F
- Impact Resistance: >7Nm, EN50014
- Captive Stainless Steel Lid Screws
- Protection Classifications:
 - NEMA Types—up to Nema 4X
 - IP 66, EN 60529

Unpainted Version: Rose+Bopla's aluminum watertight enclosure is also available in an unpainted version. For the engineers who want to do machining in-house or wish for us to do machining or

Aluminum Watertight 01

other secondary service operations, the unpainted version is the best option. The features are the same as the painted version.

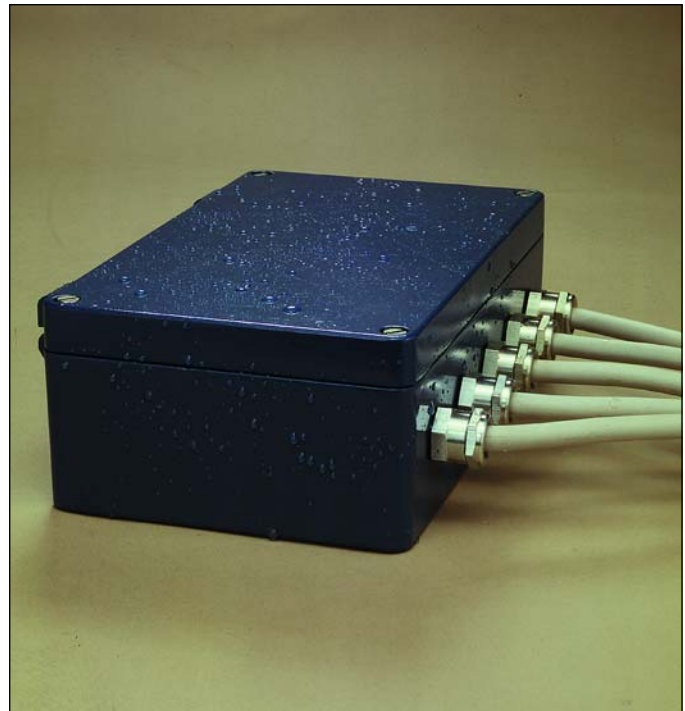
Each enclosure consists of a die-cast base and lid, captive stainless steel lid screws, copper ground screws, and a neoprene sealing gasket. If an RFI or silicone gasket is required, it must be ordered separately at additional cost and will replace the standard neoprene gasket.



Our Production Department can take a standard Aluminum 01 enclosure and perform a number of secondary services like painting, machining and silk screening to meet your application needs.

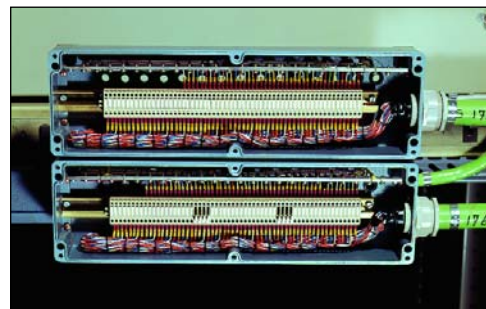
Aluminum Watertight 01 Enclosures-Unpainted						
Part Number	Length (Inches/mm)	Width (Inches/mm)	Height (Inches/mm)	Weight	Drawing Page #	
01050503 85	1.97 / 50	1.77 / 45	1.18 / 30	.15 lbs	17-2	
01060603 85	2.28 / 58	2.52 / 64	1.34 / 34	.35 lbs	17-2	
01061003 85	3.86 / 98	2.52 / 64	1.34 / 34	.48 lbs	17-3	
01061503 85	5.91 / 150	2.52 / 64	1.34 / 34	.72 lbs	17-3	
01061903 85	7.28 / 185	2.52 / 64	1.34 / 34	.84 lbs	17-4	
01080806 85	2.95 / 75	3.15 / 80	2.24 / 57	.61 lbs	17-4	
01081306 85	4.92 / 125	3.15 / 80	2.24 / 57	.95 lbs	17-5	
01081806 85	6.89 / 175	3.15 / 80	2.24 / 57	1.16 lbs	17-5	
01082505 85	9.84 / 250	3.15 / 80	2.05 / 52	1.56 lbs	17-6	
01101008 85	3.94 / 100	3.94 / 100	3.19 / 81	1.32 lbs	17-6	
01101608 85	6.30 / 160	3.94 / 100	3.19 / 81	1.76 lbs	17-7	
01102008 85	7.87 / 200	3.94 / 100	3.19 / 81	2.09 lbs	17-7	
01121208 85	4.80 / 122	4.72 / 120	3.19 / 81	2.07 lbs	17-8	
01121209 85	4.80 / 122	4.72 / 120	3.58 / 91	2.14 lbs	17-8	
01122208 85	8.66 / 220	4.72 / 120	3.19 / 81	3.10 lbs	17-9	
01122209 85	8.66 / 220	4.72 / 120	3.58 / 91	3.19 lbs	17-9	
01122212 85	8.66 / 220	4.72 / 120	4.64 / 118	4.98 lbs.	17-10	
01123608 85	14.17 / 360	4.72 / 120	3.19 / 81	4.10 lbs	17-10	
01141409 85	5.51 / 140	5.51 / 140	3.58 / 91	3.31 lbs	17-11	
01142009 85	7.87 / 200	5.51 / 140	3.58 / 91	4.08 lbs	17-11	
01161609 85	6.30 / 160	6.30 / 160	3.58 / 91	3.10 lbs	17-12	
01162609 85	10.24 / 260	6.30 / 160	3.58 / 91	4.32 lbs	17-12	
01163609 85	14.17 / 360	6.30 / 160	3.58 / 91	5.62 lbs	17-13	
01165609 85	22.05 / 560	6.30 / 160	3.58 / 91	9.50 lbs	17-13	
01181810 85	7.09 / 180	7.09 / 180	3.98 / 101	4.96 lbs	17-14	
01182810 85	7.09 / 180	11.02 / 180	3.98 / 101	6.39 lbs	17-14	
01231011 85	9.06 / 230	3.94 / 100	4.33 / 110	4.40 lbs	17-15	
01232011 85	7.95 / 202	9.13 / 232	4.37 / 111	6.01 lbs	17-15	
01232018 85	7.95 / 202	9.13 / 232	7.12 / 181	9.23 lbs	17-16	
01232811 85	11.02 / 280	9.06 / 230	4.37 / 111	8.46 lbs	17-16	
01233311 85	12.99 / 330	9.06 / 230	4.37 / 111	9.41 lbs	17-17	
01233318 85	12.99 / 330	9.06 / 230	7.12 / 181	12.69 lbs	17-17	
01234011 85	15.75 / 400	9.06 / 230	4.37 / 111	10.73 lbs	17-18	
01234023 85	15.75 / 400	9.06 / 230	8.86 / 225	16.53 lbs	17-18	
01236011 85	23.62 / 600	9.06 / 230	4.37 / 111	15.27 lbs	17-19	
01314011 85	15.91 / 404	12.32 / 313	4.37 / 111	13.91 lbs	17-19	
01314014 85	15.91 / 404	12.32 / 313	5.55 / 141	14.77 lbs	17-20	
01314018 85	15.91 / 404	12.32 / 313	7.12 / 181	17.79 lbs	17-20	
01314023 85	15.91 / 404	12.32 / 313	8.94 / 227	20.19 lbs	17-21	
01316011 85	23.62 / 600	12.20 / 310	4.37 / 111	20.30 lbs	17-21	
01316018 85	23.62 / 600	12.20 / 310	7.12 / 181	25.97 lbs	17-23	
01606020 85	23.62 / 600	23.62 / 600	7.95 / 202	46.29 lbs	17-22	

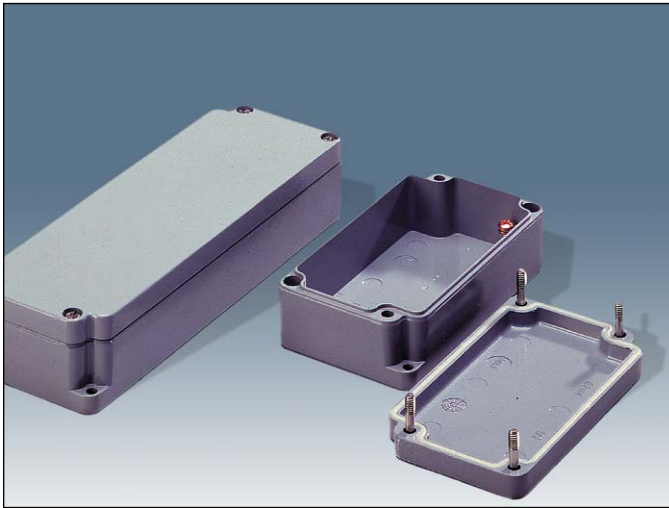
Note: Dimensions are external. Metric is the primary dimension.
Inch conversions and weights are for the user's convenience and are for reference only. Accessories shown on drawing page.



APPROVALS:

- File #E206630, Listed UL 50, UL 508
- CSA Approved
- Det Norske Veritas File #8281.1/FERe
- Maritime Register of Shipping #83033.250





TECHNICAL DATA:

- Color: Powdercoated Version–Silver Gray similar to RAL 7001. Special colors are available. See paint specifications in the Technical Information Chapter.
- Unpainted Version–Bare Aluminum.
- Material: Aluminum, AL Si 12. See Aluminum specifications in the Technical Information Chapter.
- Gasket Temperature Range:
 - Neoprene Gasket –40° F to +212° F
 - Polyurethane Foam Gasket –40° F to +194° F
 - Silicone Gasket –76° F to +266° F
 - RFI Gasket –40° F to +392° F
- Impact Resistance: >7Nm, EN50014
- Approvals:
 - File # E206630, UL 50, UL 508
 - CSA approved
- Captive Stainless Steel Lid Screws.
- Internal mounting plates are not available for this enclosure.
- Protection Classifications:
 - NEMA Types: Up to NEMA 4X
 - IP 66, EN 60529

Painted or Unpainted Versions: These enclosures are available in painted and unpainted versions and are designed for applications where quick mounting in the field is required. The enclosure

Aluminum Watertight 01 Flange

lid does *not* have to be removed during installation.

The painted version includes a powdercoat painted die-cast aluminum base and lid, captive stainless steel lid screws, copper ground screws and a seal. The unpainted version is bare aluminum and has a seal.

Silicone or RFI gaskets are available as an option to the unpainted version.

Aluminum Watertight 01 With Integral Flange–Painted					
Part Number	Length (Inches/mm)	Width (Inches/mm)	Height (Inches/mm)	Weight	Drawing Page #
01061200 00	4.53 / 115	2.52 / 64	1.34 / 34	.50 lbs	17-23
01061900 00	7.28 / 185	2.52 / 64	1.34 / 34	.70 lbs	17-24

Aluminum Watertight 01 With Integral Flange–Unpainted					
Part Number	Length (Inches/mm)	Width (Inches/mm)	Height (Inches/mm)	Weight	Drawing Page #
01061200 85	4.53 / 115	2.52 / 64	1.34 / 34	.50 lbs	17-23
01061900 85	7.28 / 185	2.52 / 64	1.34 / 34	.70 lbs	17-24

Note: Dimensions are external. Metric is the primary dimension. Inch conversions and weights are for the user's convenience and are for reference only. Accessories shown on drawing page.

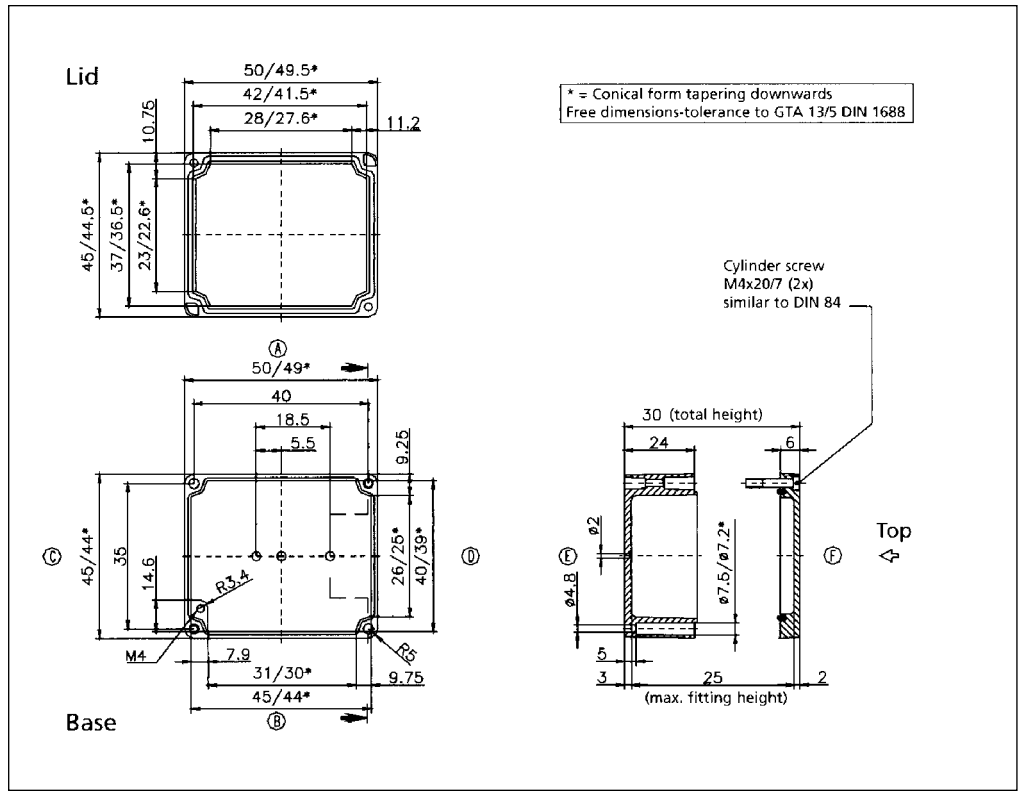
Aluminum Watertight

01050503 00/85

External Dimensions: L 50 x W 45 x H 30 mm

Page 1-3, 5

Standard Features
<ul style="list-style-type: none"> • 10093132 00 M4x20 Stainless steel captive combo head lid screws. • 10093116 00 M4x7 Copper ground screws.
Accessories
<ul style="list-style-type: none"> • 10093296 00 Safety lid screws. • 10093091 00 Allen head lid screws.

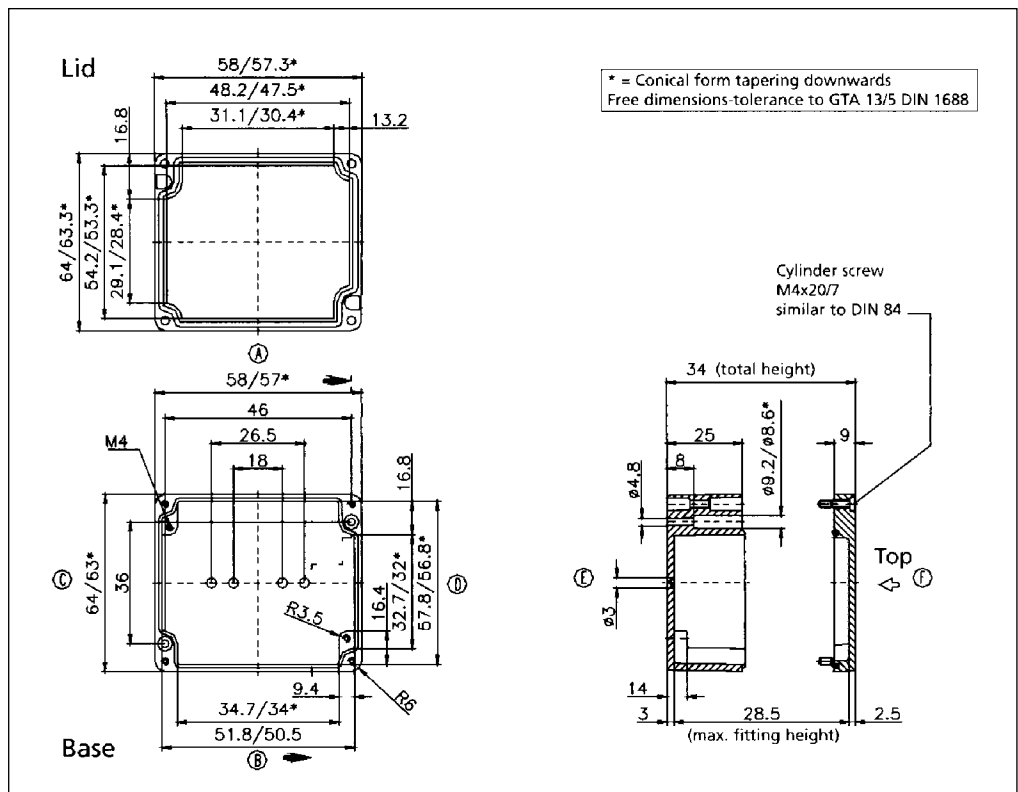


01060603 00/85

External Dimensions: L 58 x W 64 x H 34 mm

Page 1-3, 5

Standard Features
<ul style="list-style-type: none"> • 10093132 00 M4x20 Stainless steel captive combo head lid screws. • 10093116 00 M4x7 Copper ground screws.
Accessories
<ul style="list-style-type: none"> • 10093296 00 Safety Lid Screws. • 10093091 00 Allen head lid screws.

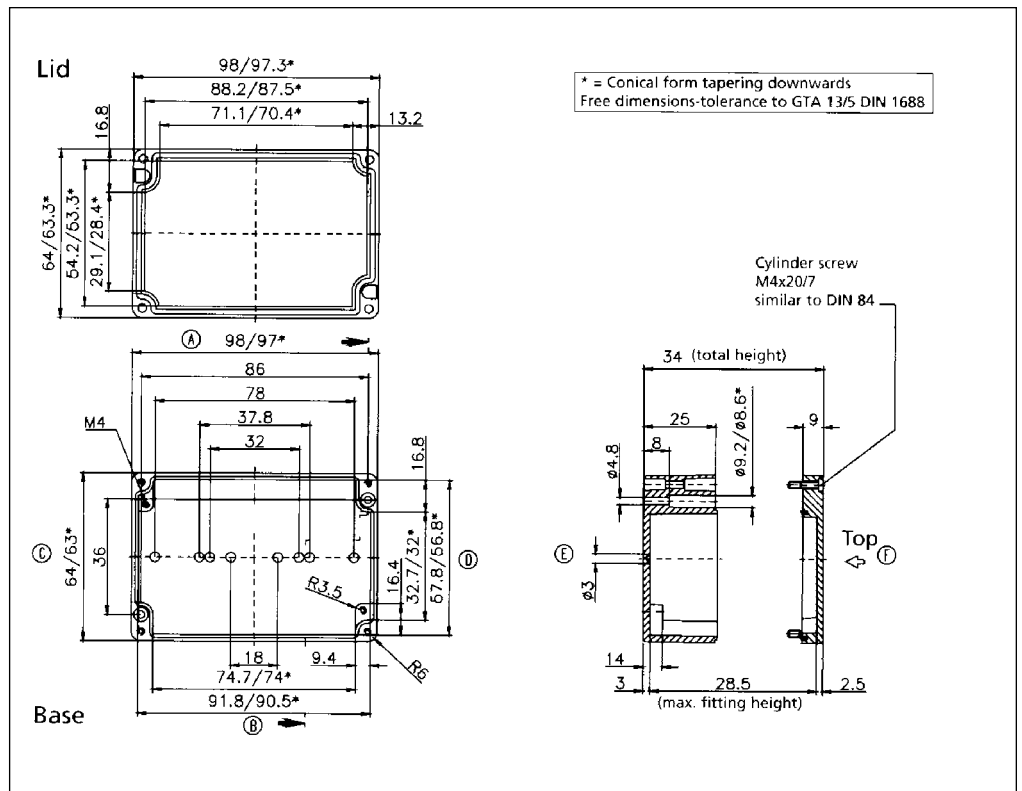




01061003 00/85

External Dimensions: L 98 x W 64 x H 34 mm

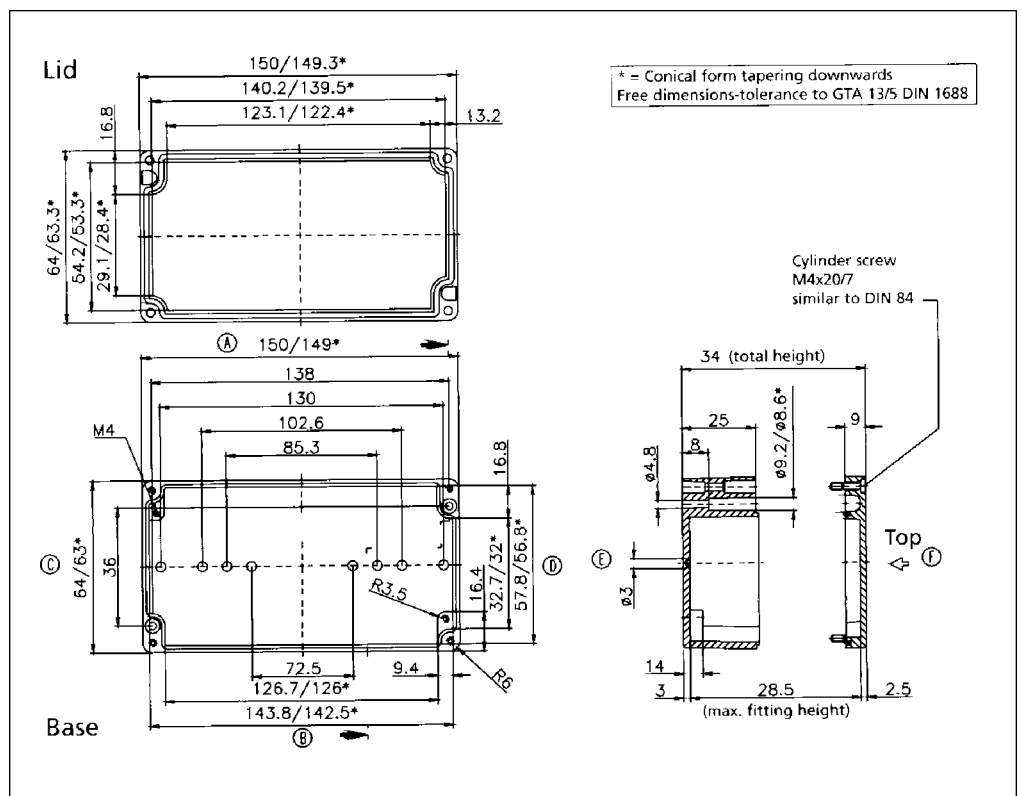
Standard Features
<ul style="list-style-type: none"> • 10093132 00 M4x20 Stainless steel captive combo head lid screws. • 10093116 00 M4x7 Copper ground screws.
Accessories
<ul style="list-style-type: none"> • 10093296 00 Safety Lid Screws. • 10093091 00 Allen head lid screws. • 10061001 00 Terminal rail (TS 15).



01061503 00/85

External Dimensions: L 150 x W 64 x H 34 mm

Standard Features
<ul style="list-style-type: none"> • 10093132 00 M4x20 Stainless steel captive combo head lid screws. • 10093116 00 M4x7 Copper ground screws.
Accessories
<ul style="list-style-type: none"> • 10093296 00 Safety Lid screws • 10093091 00 Allen Head Lid screws • 10061002 00 Terminal Rail (TS 15)



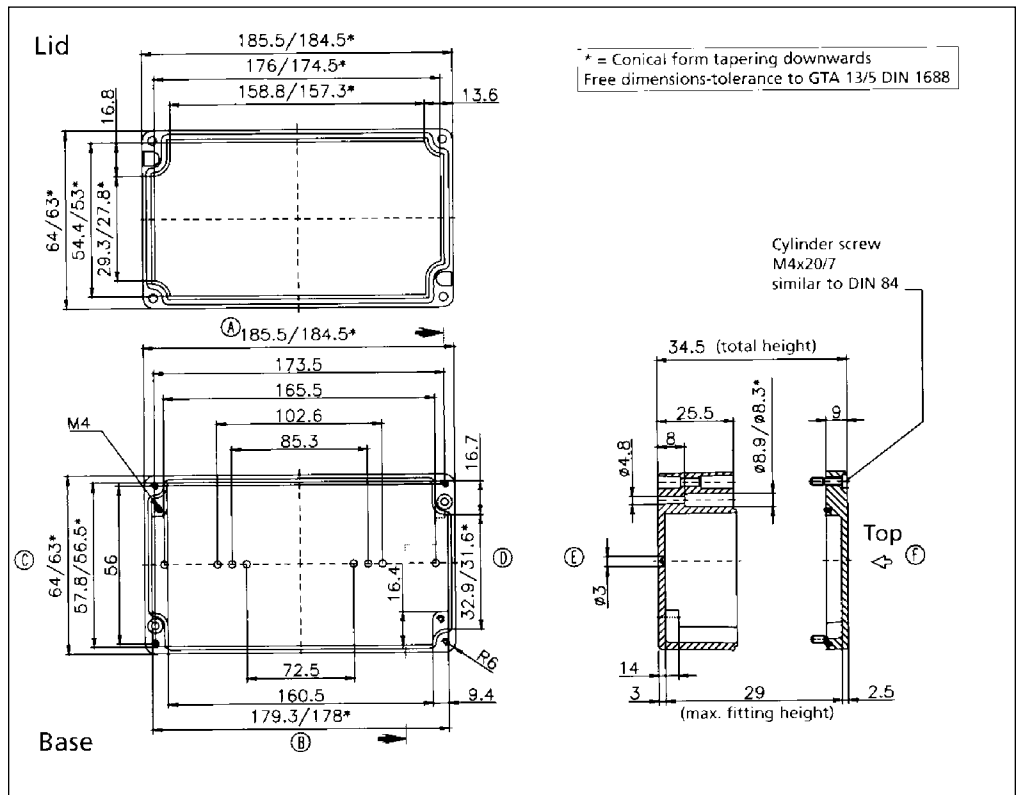
Aluminum Watertight

01061903 00/85

External Dimensions: L 185 x W 64 x H 34 mm

Page 1-3, 5

Standard Features
<ul style="list-style-type: none"> • 10093132 00 M4x20 Stainless steel captive combo head lid screws. • 10093116 00 M4x7 Copper ground screws.
Accessories
<ul style="list-style-type: none"> • 10093296 00 Safety Lid screws. • 10093091 00 Allen head lid screws. • 10061010 00 Terminal rail (TS 15).

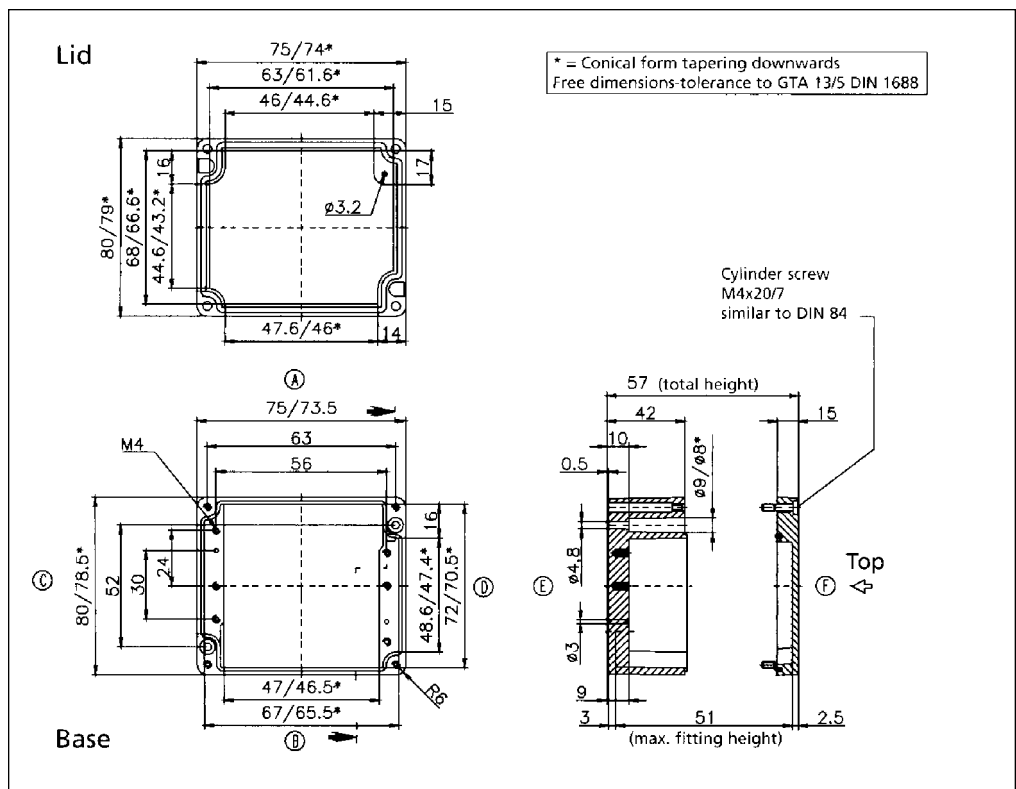


01080806 00/85

External Dimensions: L 75 x W 80 x H 57 mm

Page 1-3, 5

Standard Features
<ul style="list-style-type: none"> • 10093132 00 M4x20 Stainless steel captive combo head lid screws. • 10093116 00 M4x7 Copper ground screws.
Accessories
<ul style="list-style-type: none"> • 10093296 00 Safety lid screws. • 10093091 00 Allen head lid screws. • 10052033 00 External Brackets. • 10089103 00 Mounting Plate. • 10061003 00 Terminal rail (TS 15).



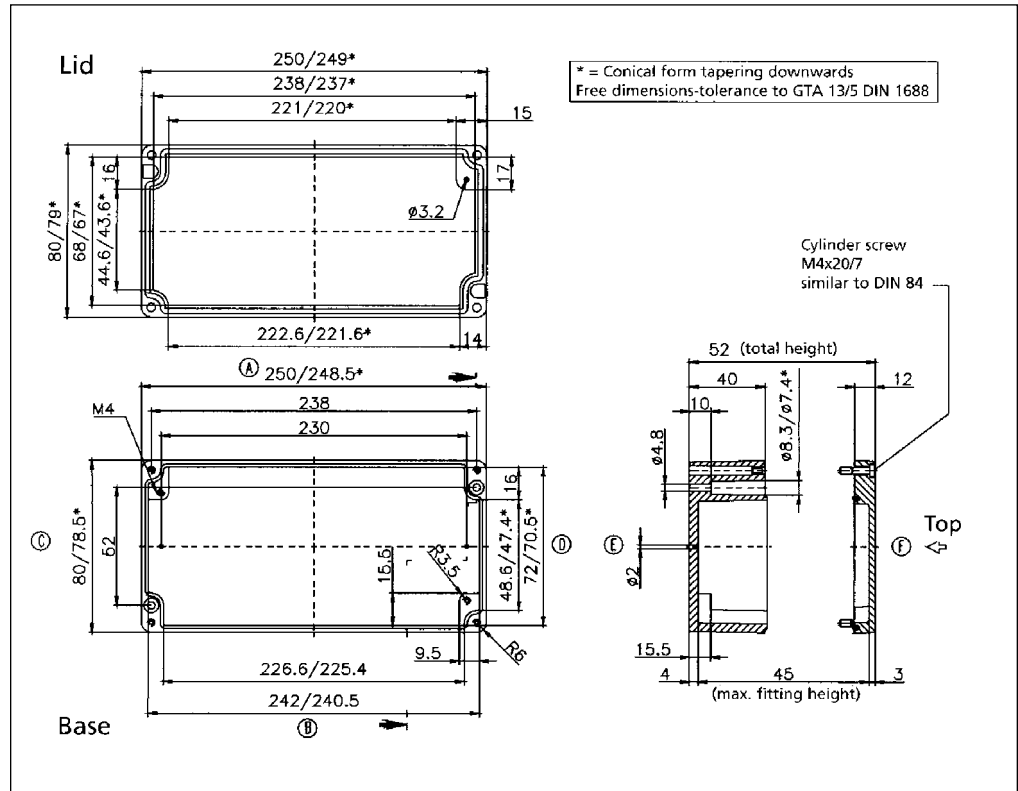
Aluminum Watertight

01082505 00/85

External Dimensions: L 250 x W 80 x H 52 mm

Page 1-3, 5

Standard Features
<ul style="list-style-type: none"> • 10093132 00 M4x20 Stainless steel captive combo head lid screws. • 10093116 00 M4x7 Copper ground screws.
Accessories
<ul style="list-style-type: none"> • 10093091 00 Allen head lid screws. • 10052033 00 External Brackets. • 10061006 00 Terminal rail (TS 15).

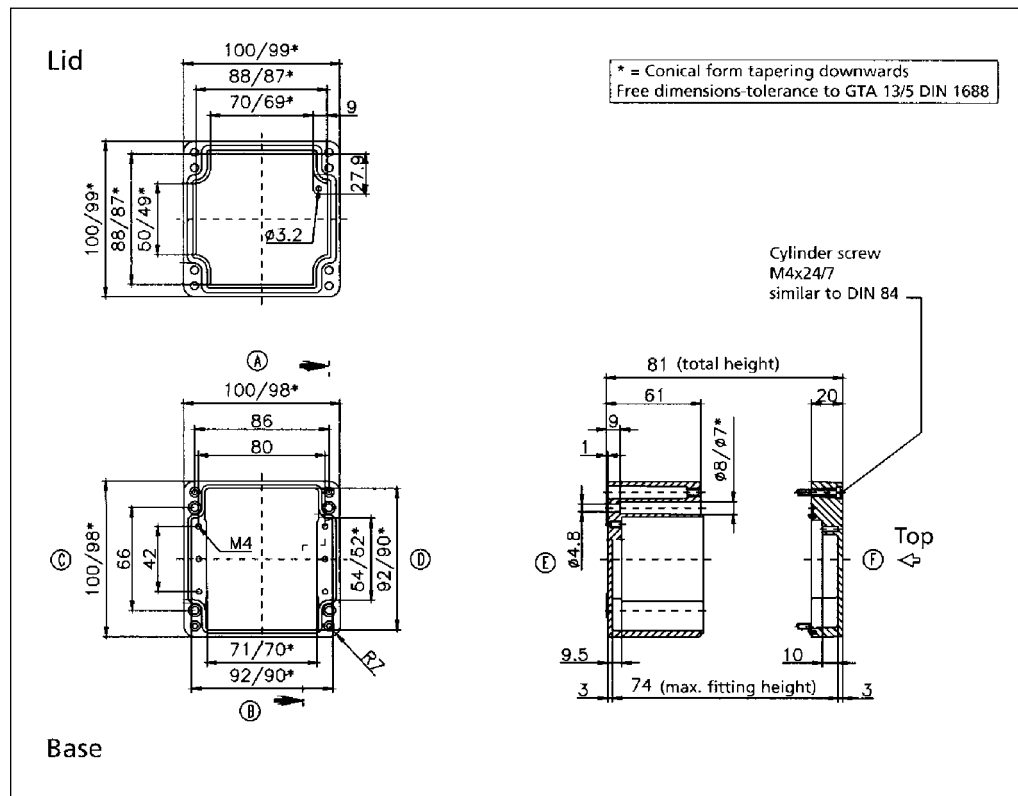


01101008 00/85

External Dimensions: L 100 x W 100 x H 81 mm

Page 1-3, 5

Standard Features
<ul style="list-style-type: none"> • 10093133 00 M4x24 Stainless steel captive combo head lid screws. • 10093116 00 M4x7 Copper ground screws.
Accessories
<ul style="list-style-type: none"> • 10093092 00 Allen head lid screws. • 10052033 00 External Brackets. • 10061007 00 Terminal rail (TS 15). • 10052101 00 External Hinges. • 10011024 00 Mounting Plate.

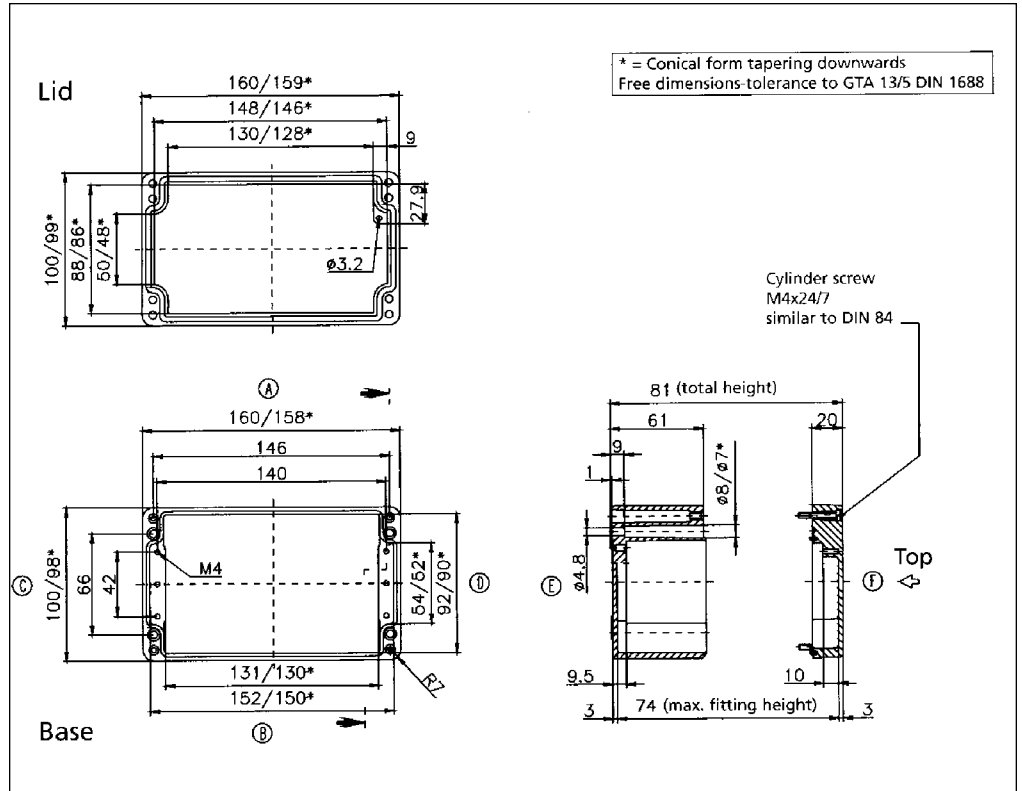




01101608 00/85

External Dimensions: L 160 x W 100 x H 81 mm

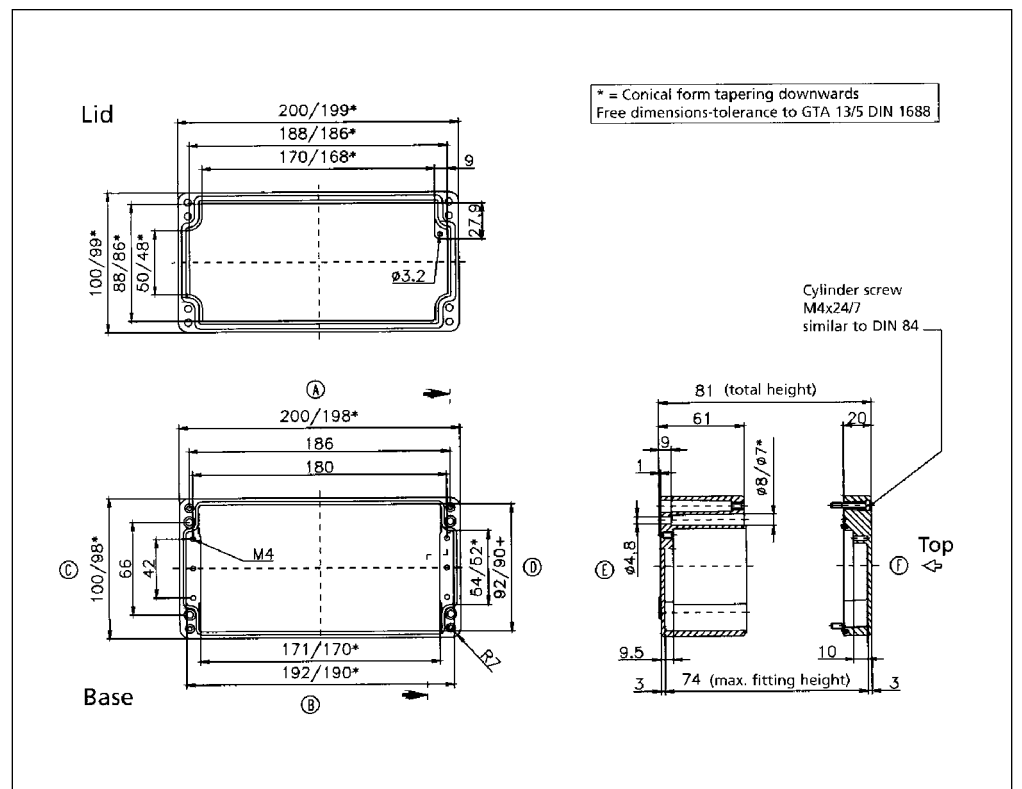
Standard Features
<ul style="list-style-type: none"> • 10093133 00 M4x24 Stainless steel captive combo head lid screws. • 10093116 00 M4x7 Copper ground screws.
Accessories
<ul style="list-style-type: none"> • 10052033 00 External Brackets. • 10061008 00 Terminal rail (TS 15). • 10052101 00 External hinges. • 10011025 00 Mounting Plate. • 10093092 00 Allen head lid screw.



01102008 00/85

External Dimensions: L 200 x W 100 x H 81 mm

Standard Features
<ul style="list-style-type: none"> • 10093133 00 M4x24 Stainless steel captive combo head lid screws. • 10093116 00 M4x7 Copper ground screws.
Accessories
<ul style="list-style-type: none"> • 10052033 00 External Brackets. • 10061009 00 Terminal rail (TS 15). • 10052101 00 External hinges. • 10011026 00 Mounting Plate. • 10093029 00 Allen head lid screw.



Aluminum Watertight

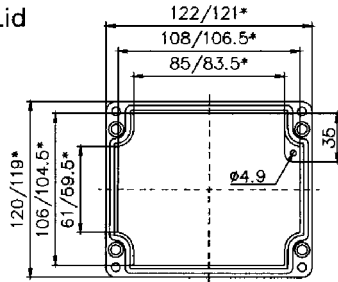
01121208 00/85

External Dimensions: L 122 x W 120 x H 81 mm

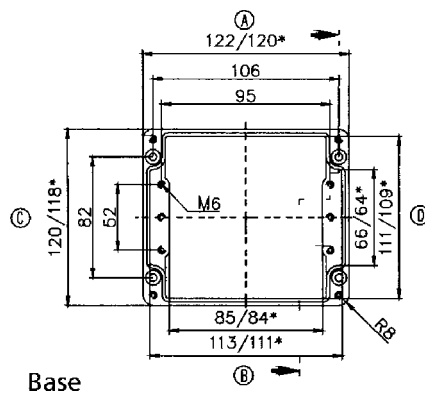
Page 1-3, 5

Standard Features
<ul style="list-style-type: none"> • 10093134 00 M6x25 Stainless steel captive combo head lid screws. • 10093117 00 6x10 Copper ground screws.
Accessories
<ul style="list-style-type: none"> • 10052034 00 External Brackets. • 10093263 00 Allen head lid screws. • 10061401 00 Terminal rail (TS 32). • 10061421 00 Terminal rail (TS 35). • 10052101 00 External hinges. • 10050401 00 Grounding Strip. • 10089151 00 Mounting Plate.

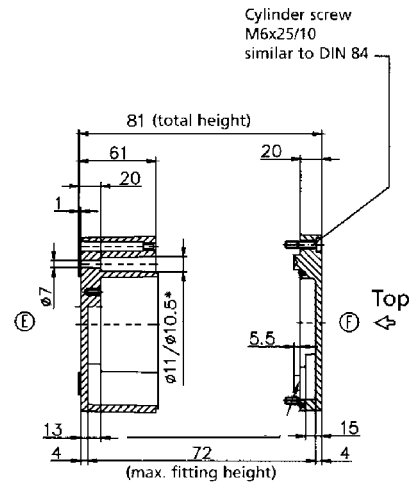
Lid



* = Conical form tapering downwards
Free dimensions-tolerance to GTA 13/5 DIN 1688



Base



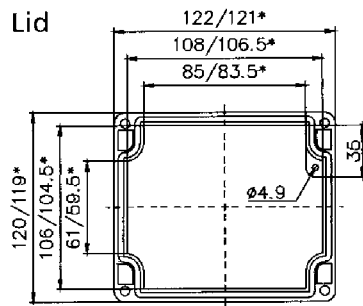
01121209 00/85

External Dimensions: L 122 x W 120 x H 91 mm

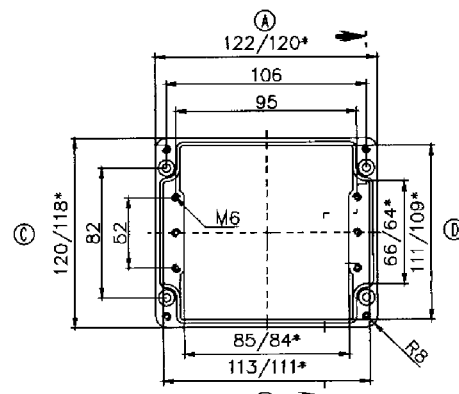
Page 1-3, 5

Standard Features
<ul style="list-style-type: none"> • 10093136 00 M6x25 Stainless steel captive combo head lid screws. • 10093117 00 M6x10 Copper ground screws.
Accessories
<ul style="list-style-type: none"> • 10093262 00 Allen head lid screws. • 10052034 00 External Brackets. • 10052101 00 External hinges. • 10061401 00 Terminal rail (TS 32). • 10061421 00 Terminal rail (TS 35). • 10050401 00 Grounding Strip. • 10089151 00 Mounting Plate.

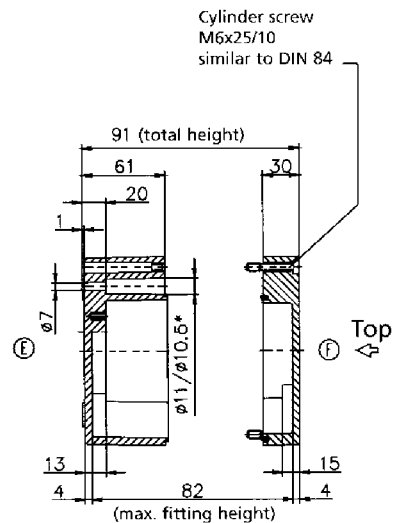
Lid



* = Conical form tapering downwards
Free dimensions-tolerance to GTA 13/5 DIN 1688



Base



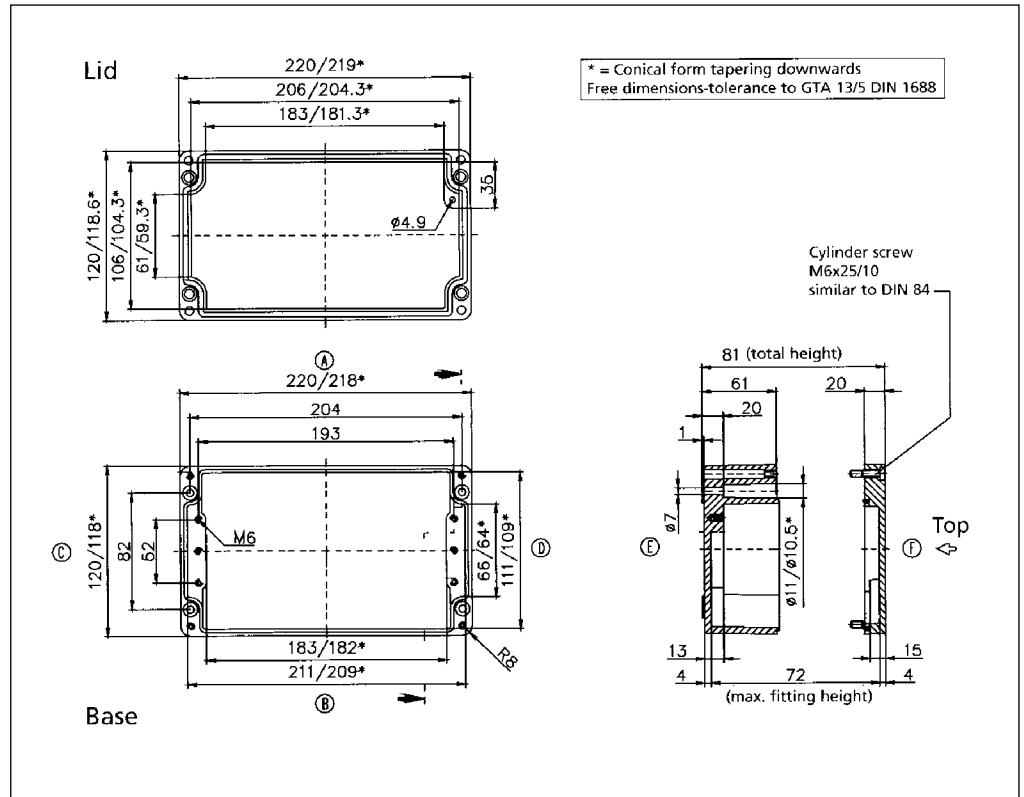


01122208 00/85

External Dimensions: L 220 x W 120 x H 81 mm

Page 1-3, 5

Standard Features
<ul style="list-style-type: none"> • 10093134 00 M6x25 Stainless steel captive combo head lid screws. • 10093117 00 M6x10 Copper ground screws.
Accessories
<ul style="list-style-type: none"> • 10052034 00 External Brackets. • 10061402 00 Terminal rail (TS 32). • 10061422 00 Terminal rail (TS 35). • 10052101 00 External hinges. • 10050402 00 Grounding Strip. • 10089152 00 Mounting Plate. • 10093263 00 Allen head lid screws.

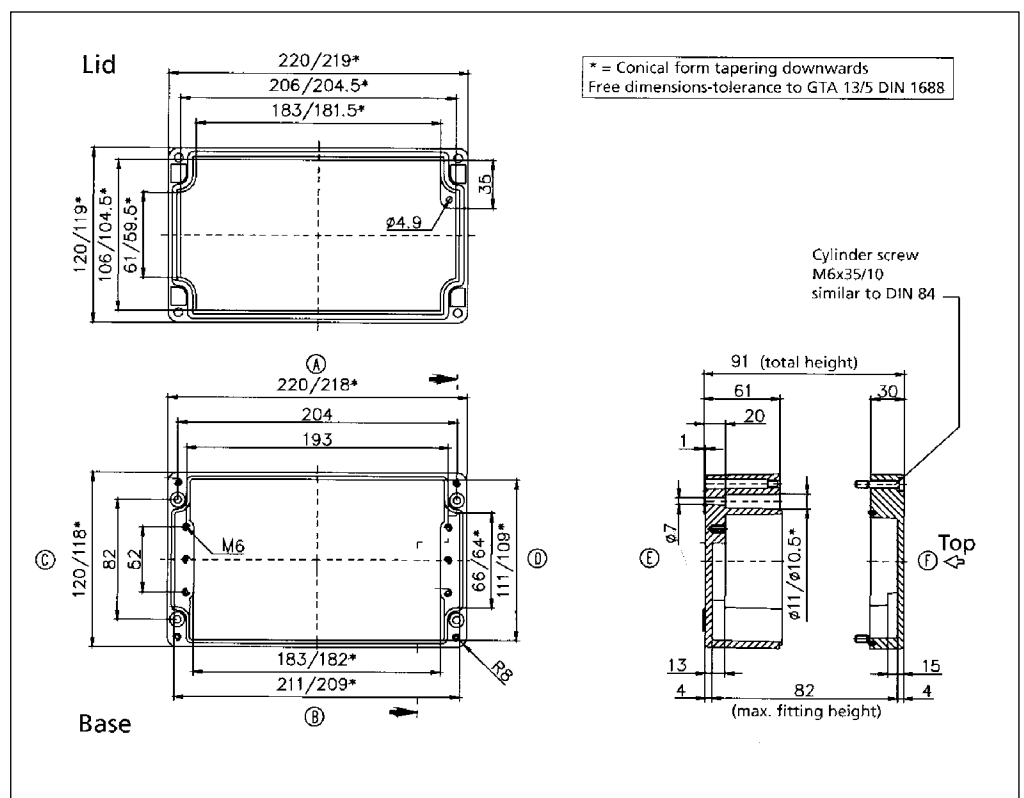


01122209 00/85

External Dimensions: L 220 x W 120 x H 91 mm

Page 1-3, 5

Standard Features
<ul style="list-style-type: none"> • 10093136 00 M6x35 Stainless steel captive combo head lid screws. • 10093117 00 M6x10 Copper ground screws.
Accessories
<ul style="list-style-type: none"> • 10093262 00 Allen head lid screws. • 10052034 00 External Brackets. • 10061402 00 Terminal rail (TS 32). • 10061422 00 Terminal rail (TS 35). • 10052101 00 External hinges. • 10050402 00 Grounding Strip. • 10089152 00 Mounting Plate.



Dimensional Drawings

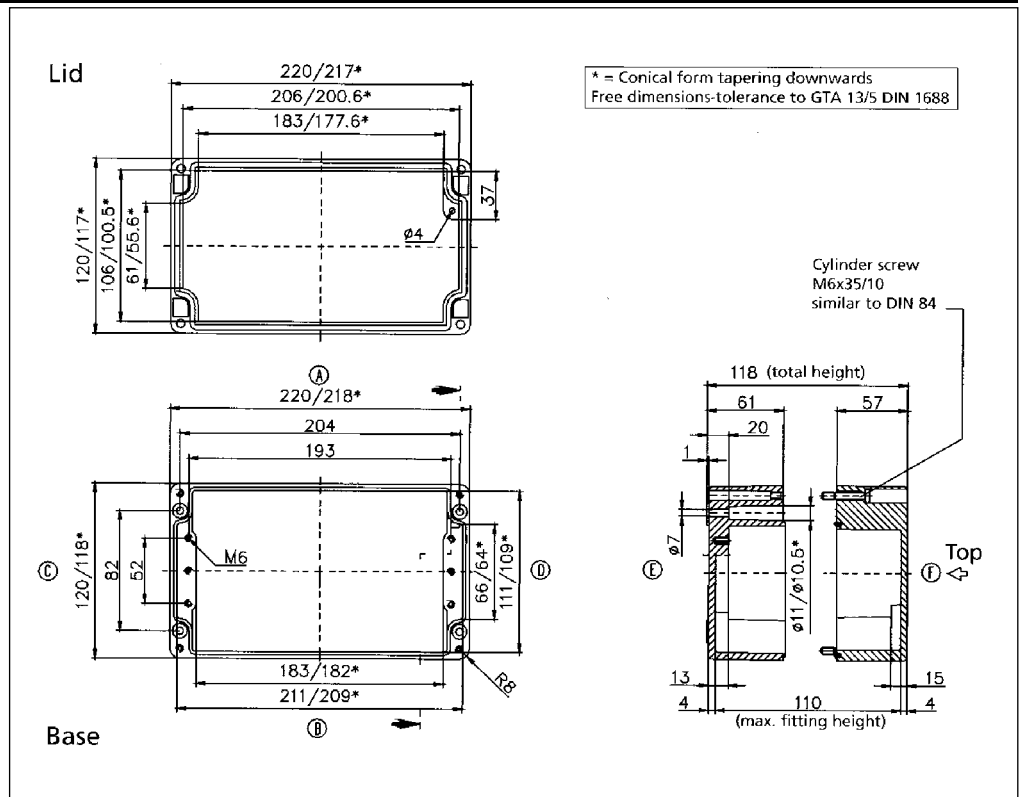
Aluminum Watertight

01122212 00/85

External Dimensions: L 220 x W 120 x H 118 mm

Page 1-3, 5

Standard Features
<ul style="list-style-type: none"> • 10093136 00 M6x35 Stainless steel captive combo head lid screws.
Accessories
<ul style="list-style-type: none"> • 10093161 00 Safety Lid Screws. • 10093262 00 Allen head lid screws. • 10052034 00 External Brackets. • 10061402 00 Terminal rail (TS 32). • 10061422 00 Terminal rail (TS 35). • 10052101 00 External hinges. • 10050402 00 Grounding strip. • 10089152 00 Mounting plate.

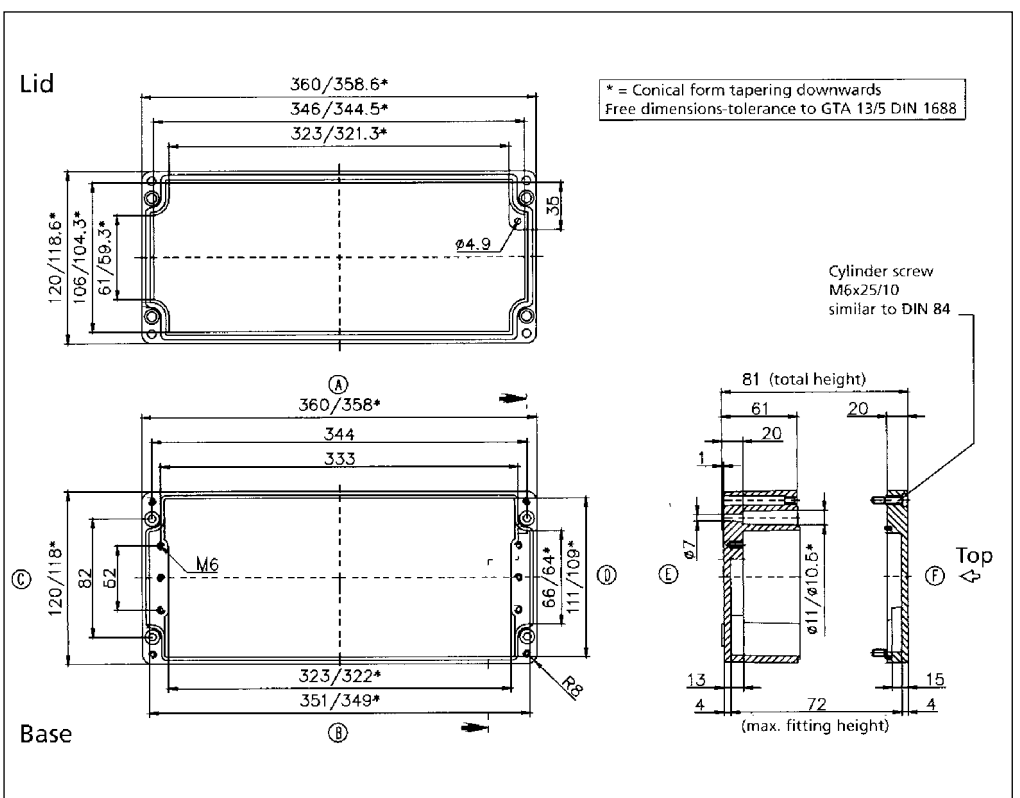


01123608 00/85

External Dimensions: L 360 x W 120 x H 81 mm

Page 1-3, 5

Standard Features
<ul style="list-style-type: none"> • 10093134 00 M6x25 Stainless steel captive combo head lid screws. • 10093117 00 M6x10 Copper ground screws.
Accessories
<ul style="list-style-type: none"> • 10093162 00 Safety Lid Screws • 10093263 00 Allen head lid screws • 10052034 00 External Brackets • 10061444 00 Terminal rail (TS 32) • 10061454 00 Terminal rail (TS 35) • 10052101 00 External hinges • 10050406 00 Grounding Strip • 10089153 00 Mounting Plate



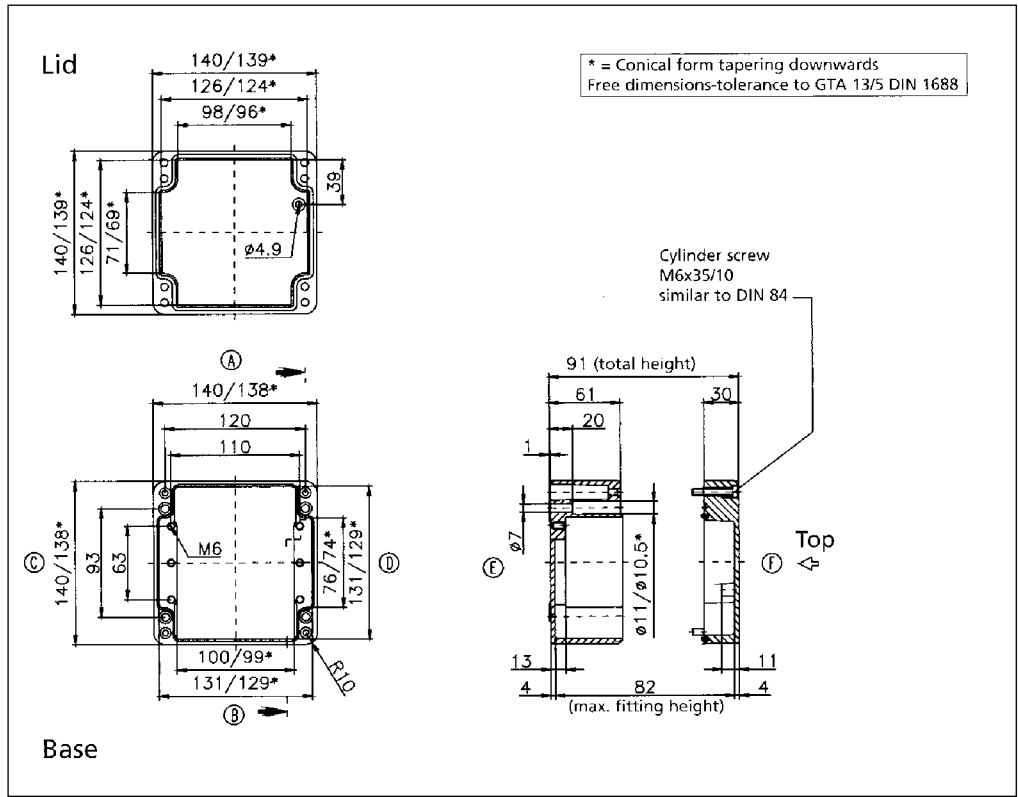


01141409 00/85

External Dimensions: L 140 x W 140 x H 91 mm

Page 1-3, 5

Standard Features
<ul style="list-style-type: none"> • 10093136 00 M6x35 Stainless steel captive combo head lid screws. • 10093117 00 M6x10 Copper ground screws.
Accessories
<ul style="list-style-type: none"> • 10093262 00 Allen head lid screws • 10052034 00 External Brackets • 10061445 00 Terminal rail (TS 32) • 10061455 00 Terminal rail (TS 35) • 10052101 00 External hinges • 10062014 00 Grounding Strip • 10011027 00 Mounting Plate

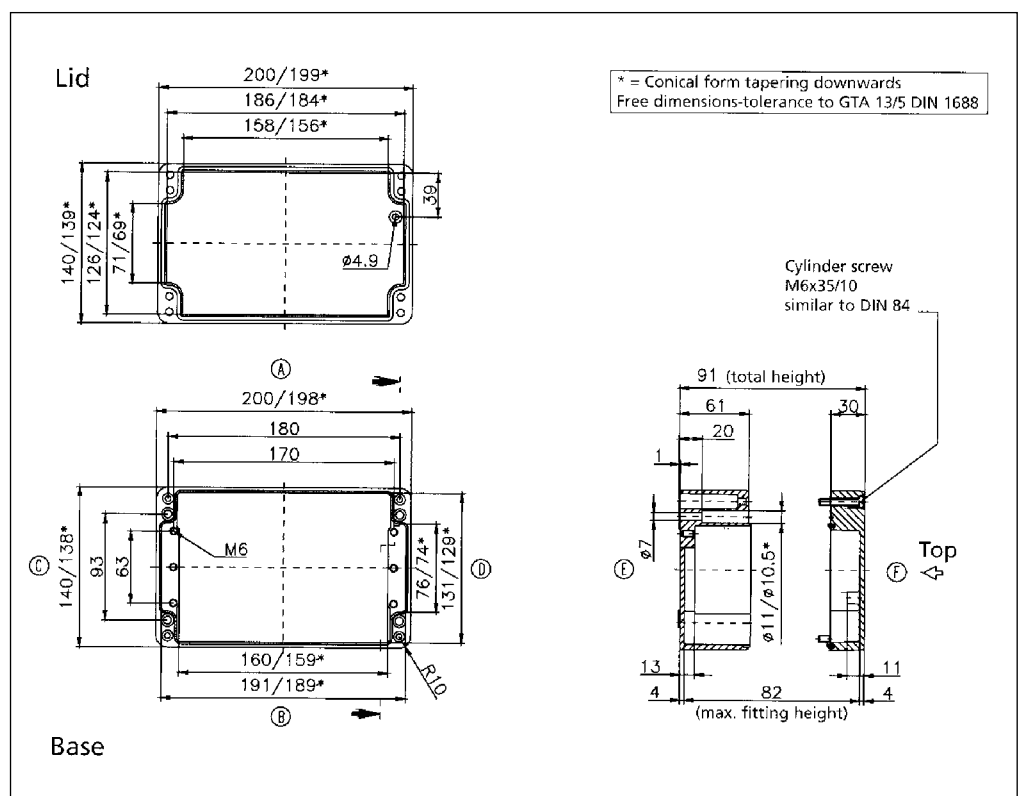


01142009 00/85

External Dimensions: L 200 x W 140 x H 91 mm

Page 1-3, 5

Standard Features
<ul style="list-style-type: none"> • 10093136 00 M6x35 Stainless steel captive combo head lid screws. • 10093117 00 M6x10 Copper ground screws.
Accessories
<ul style="list-style-type: none"> • 10093262 00 Allen head lid screws. • 10061445 00 Terminal Rail (TS 32). • 10061455 00 Terminal Rail (TS 35). • 10052034 00 External Brackets. • 10052101 00 External hinges. • 10062015 00 Grounding Strip. • 10011028 00 Mounting Plate.



Dimensional Drawings

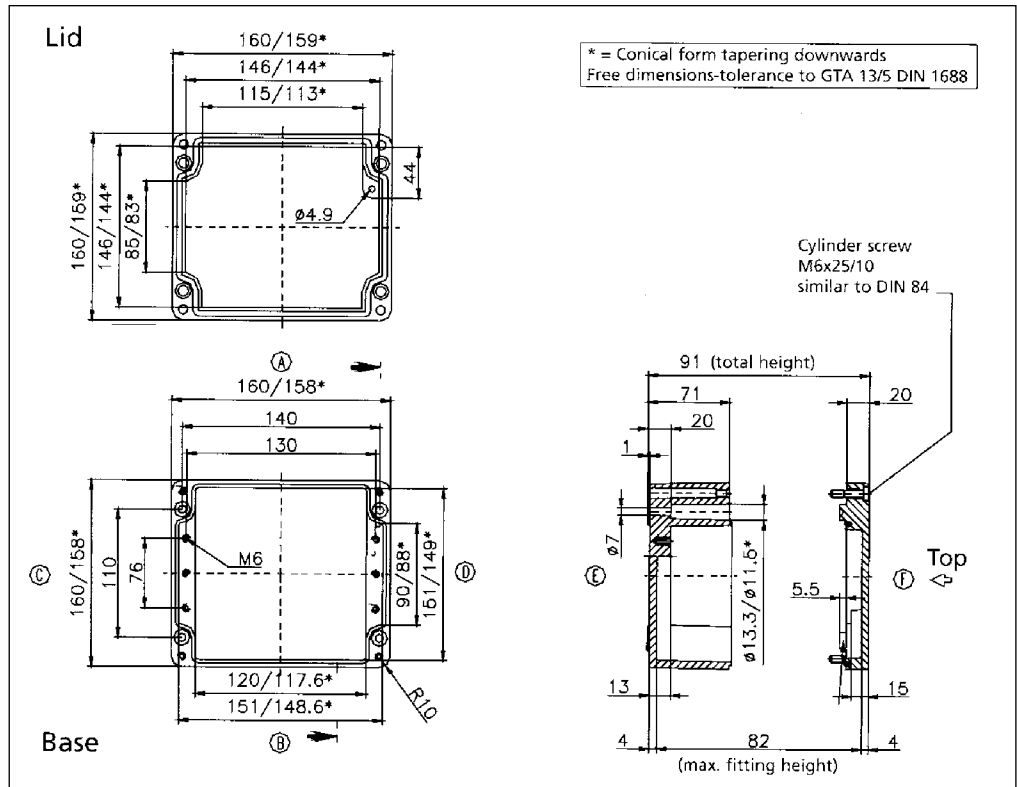
Aluminum Watertight

01161609 00/85

External Dimensions: L 160 x W 160 x H 91 mm

Page 1-3, 5

Standard Features
<ul style="list-style-type: none"> • 10093134 00 M6x25 Stainless steel captive combo head lid screws. • 10093117 00 M6x10 Copper ground screws.
Accessories
<ul style="list-style-type: none"> • 10093263 00 Allen head lid screws. • 10052034 00 External Brackets. • 10061403 00 Terminal rail (TS 32). • 10061423 00 Terminal rail (TS 35). • 10052101 00 External hinges. • 10052161 00 Internal Hinges. • 10050404 00 Grounding Strip. • 10089106 00 Mounting Plate.

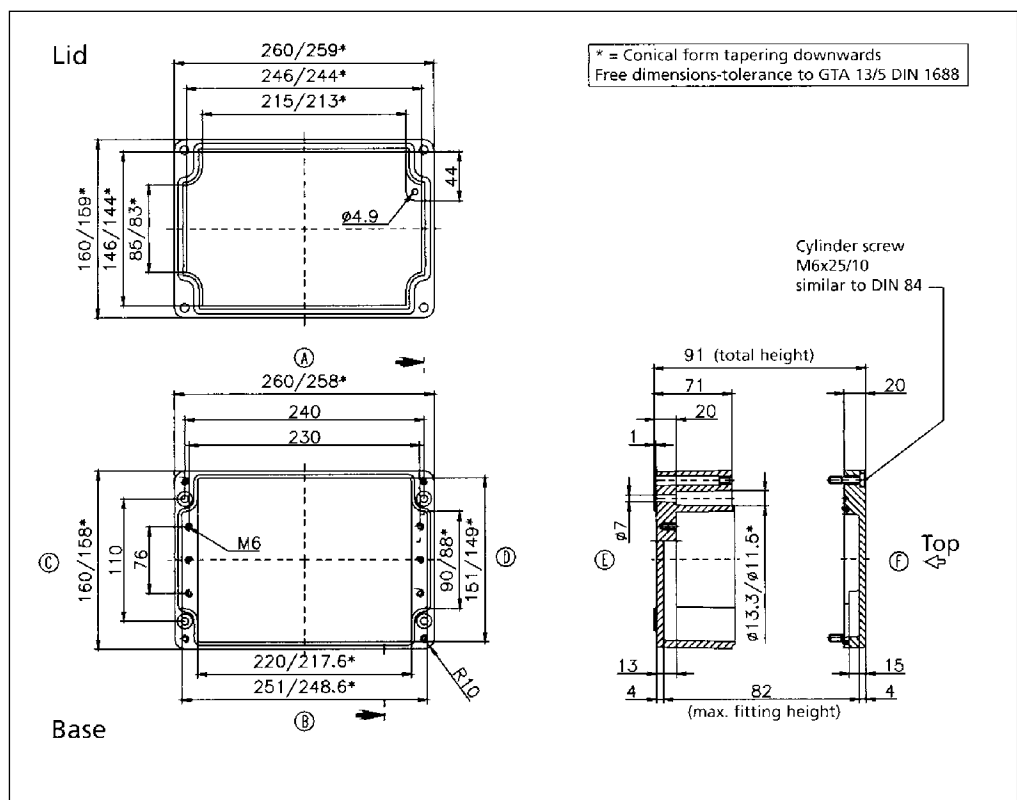


01162609 00/85

External Dimensions: L 260 x W 160 x H 91 mm

Page 1-3, 5

Standard Features
<ul style="list-style-type: none"> • 10093134 00 M6x25 Stainless steel captive combo head lid screws. • 10093117 00 M6x10 Copper ground screws.
Accessories
<ul style="list-style-type: none"> • 10093263 00 Allen head lid screws. • 10052034 00 External Brackets. • 10061404 00 Terminal rail (TS 32). • 10061424 00 Terminal rail (TS 35). • 10052101 00 External hinges. • 10052161 00 Internal Hinges. • 10050405 00 Grounding Strip. • 10089107 00 Mounting Plate.

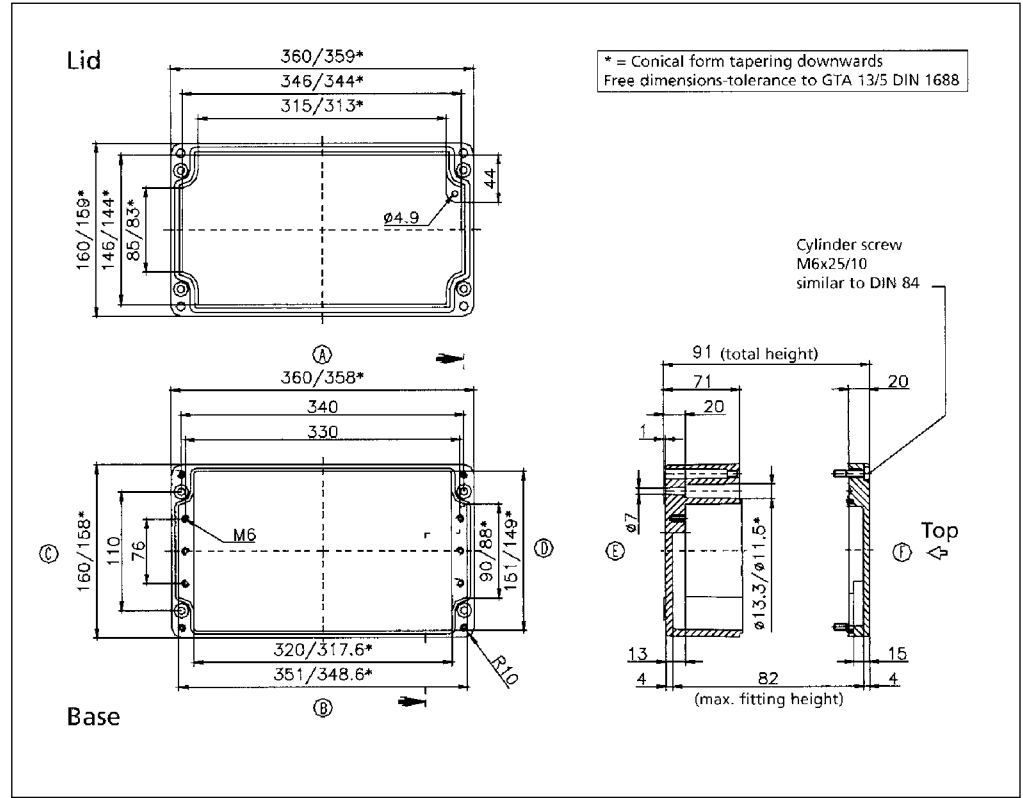




01163609 00/85

External Dimensions: L 360 x W 160 x H 91 mm

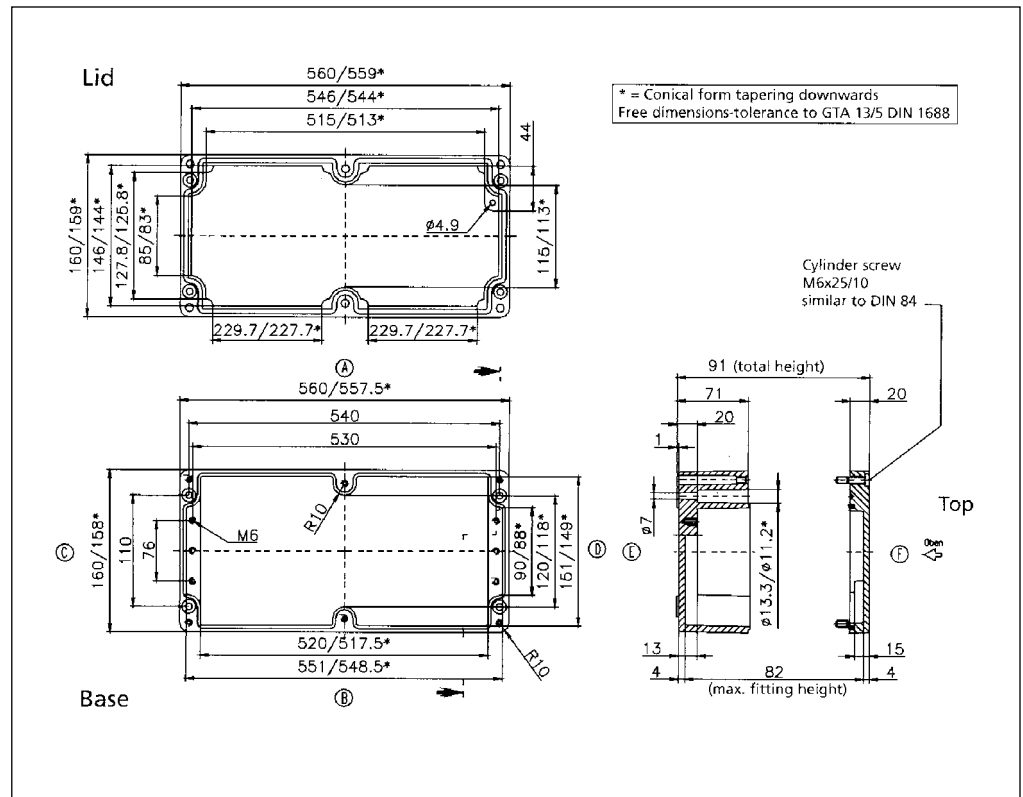
Standard Features
<ul style="list-style-type: none"> • 10093134 00 M6x25 Stainless steel captive combo head lid screws. • 10093117 00 M6x10 Copper ground screws.
Accessories
<ul style="list-style-type: none"> • 10093263 00 Allen head lid screws. • 10052034 00 External Brackets. • 10061405 00 Terminal rail (TS 32). • 10061425 00 Terminal rail (TS 35). • 10052101 00 External hinges. • 10052161 00 Internal Hinges. • 10050406 00 Grounding Strip. • 10089108 00 Mounting Plate.



01165609 00/85

External Dimensions: L 560 x W 160 x H 91 mm

Standard Features
<ul style="list-style-type: none"> • 10093134 00 M6x25 Stainless steel captive combo head lid screws. • 10093117 00 M6x10 Copper ground screws.
Accessories
<ul style="list-style-type: none"> • 10093263 00 Allen head lid screws. • 10052034 00 External Brackets. • 10061406 00 Terminal rail (TS 32). • 10061426 00 Terminal rail (TS 35). • 10052101 00 External hinges. • 10052161 00 Internal Hinges. • 10050407 00 Grounding Strip. • 10089109 00 Mounting Plate.



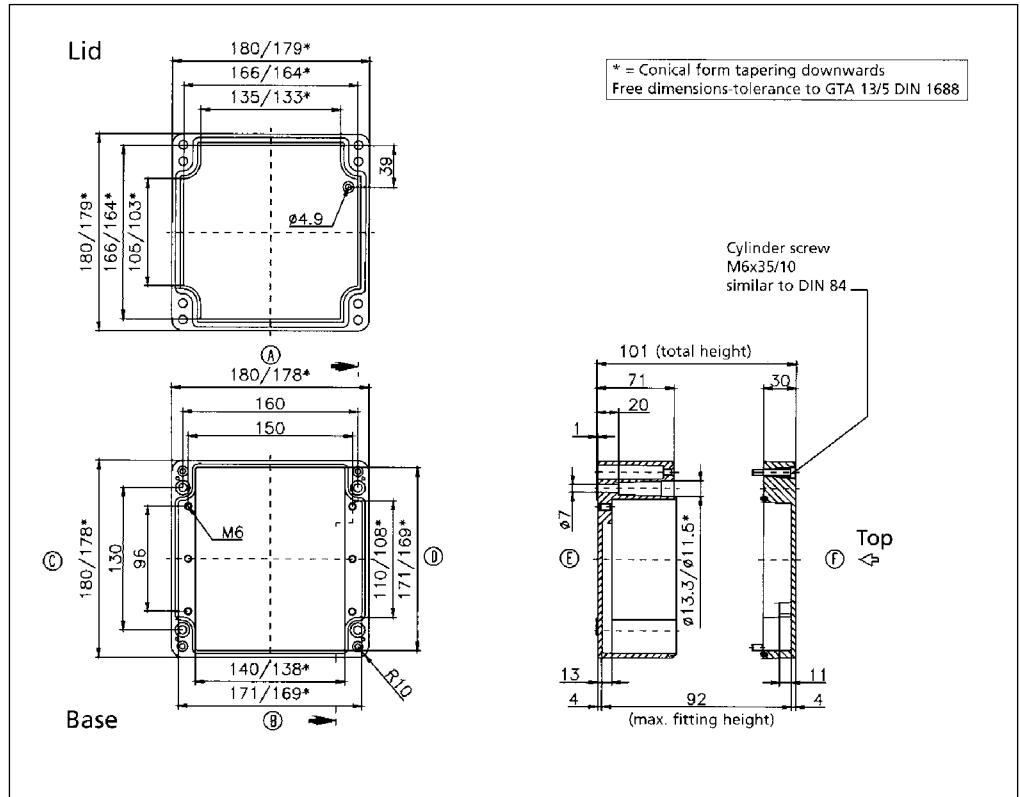
Aluminum Watertight

01181810 00/85

External Dimensions: L 180 x W 180 x H 101 mm

Page 1-3, 5

Standard Features
<ul style="list-style-type: none"> • 10093136 00 M6x35 Stainless steel captive combo head lid screws. • 10093117 00 M6x10 Copper ground screws.
Accessories
<ul style="list-style-type: none"> • 10093262 00 Allen head lid screws. • 10052034 00 External Brackets. • 10061446 00 Terminal rail (TS 32). • 10061456 00 Terminal rail (TS 35). • 10052101 00 External hinges. • 10052161 00 Internal Hinges. • 10062016 00 Grounding Strip. • 10011029 00 Mounting Plate.

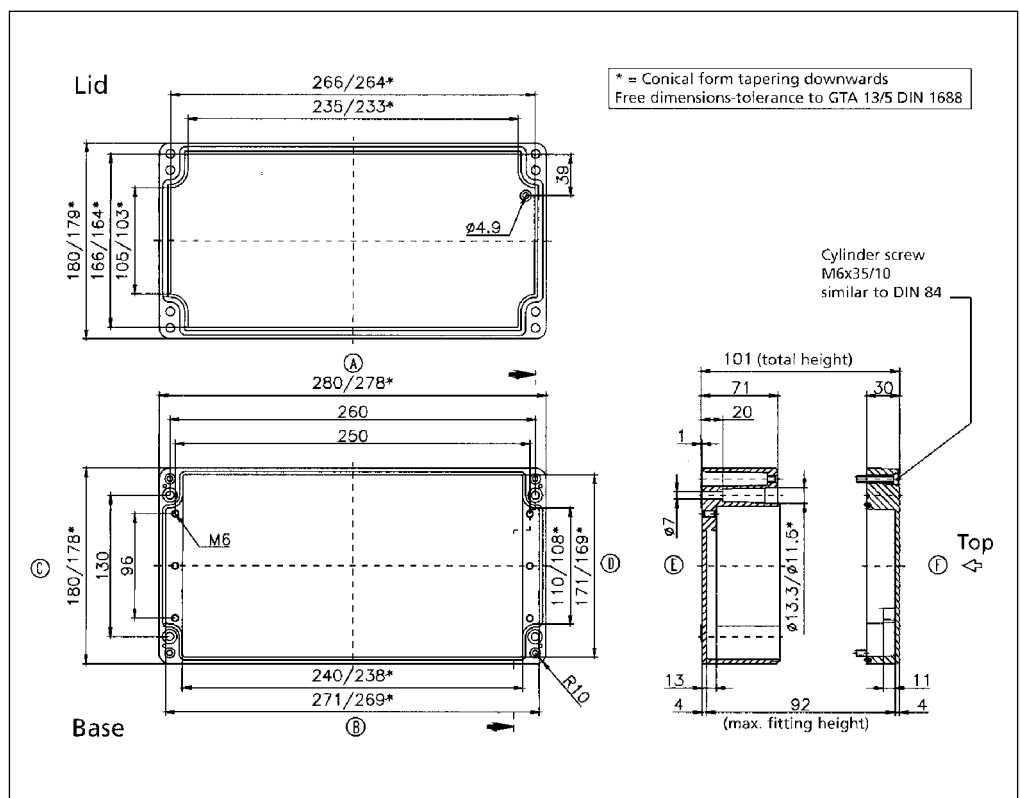


01182810 00/85

External Dimensions: L 280 x W 180 x H 101 mm

Page 1-3, 5

Standard Features
<ul style="list-style-type: none"> • 10093136 00 M6x35 Stainless steel captive combo head lid screws. • 10093117 00 M6x10 Copper ground screws.
Accessories
<ul style="list-style-type: none"> • 10093262 00 Allen head lid screws. • 10052034 00 External Brackets. • 10061447 00 Terminal rail (TS 32). • 10061457 00 Terminal rail (TS 35). • 10052101 00 External hinges. • 10052161 00 Internal Hinges. • 10062017 00 Grounding Strip. • 10011030 00 Mounting Plate.

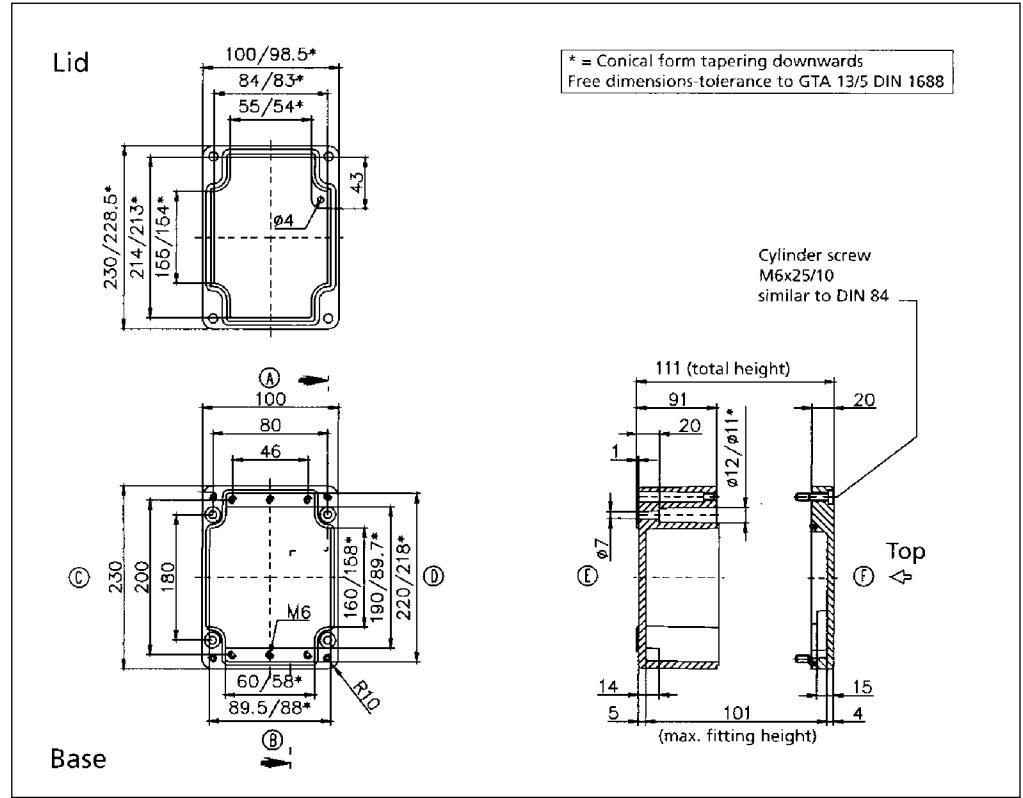




01231011 00/85

External Dimensions: L 230 x W 100 x H 111 mm

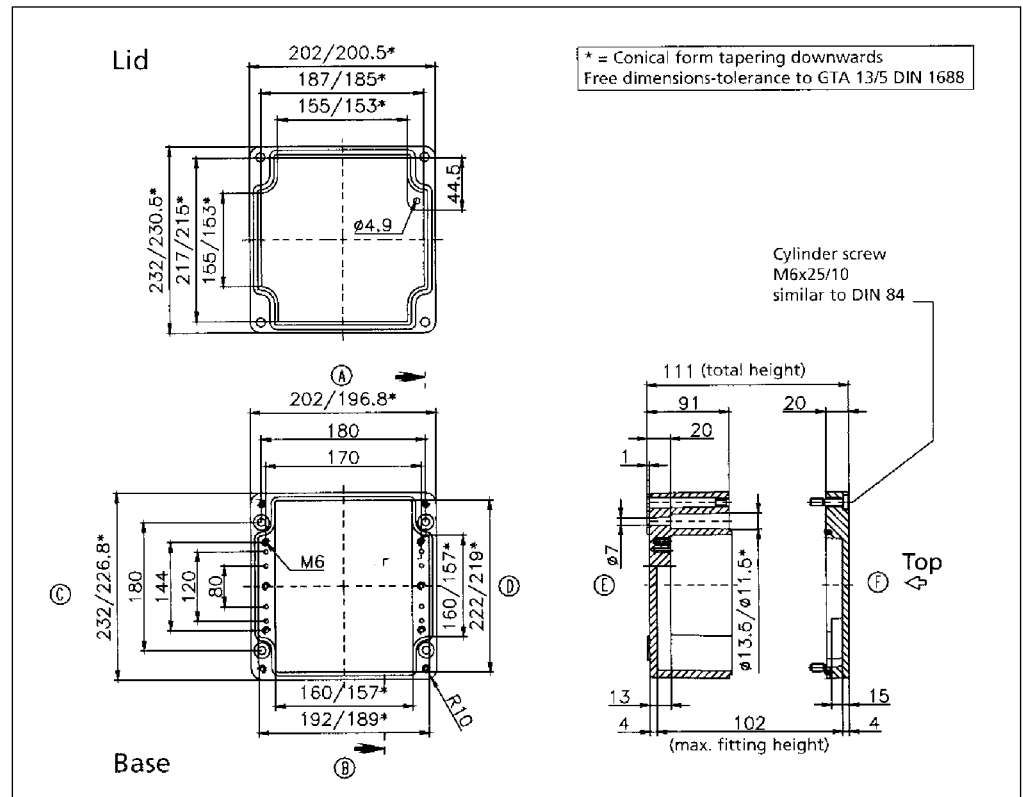
Standard Features
<ul style="list-style-type: none"> • 10093134 00 M6x25 Stainless steel captive combo head lid screws. • 10093117 00 M6x10 Copper ground screws.
Accessories
<ul style="list-style-type: none"> • 10093263 00 Allen head lid screws. • 10052034 00 External Brackets. • 10061409 00 Terminal rail (TS 32). • 10061429 00 Terminal rail (TS 35). • 10052101 00 External hinges. • 10052161 00 Internal Hinges. • 10089110 00 Mounting Plate.



01232011 00/85

External Dimensions: L 202 x W 232 x H 111 mm

Standard Features
<ul style="list-style-type: none"> • 10093134 00M6x25 Stainless steel captive combo head lid screws. • 10093117 00 M6x10 Copper ground screws.
Accessories
<ul style="list-style-type: none"> • 10093263 00 Allen head lid screws • 10052034 00 External Brackets • 10061410 00 Terminal rail (TS 32) • 10061430 00 Terminal rail (TS 35) • 10052101 00 External Hinges • 10052161 00 Internal Hinges • 10050408 00 Grounding Strip • 10089120 00 Mounting Plate



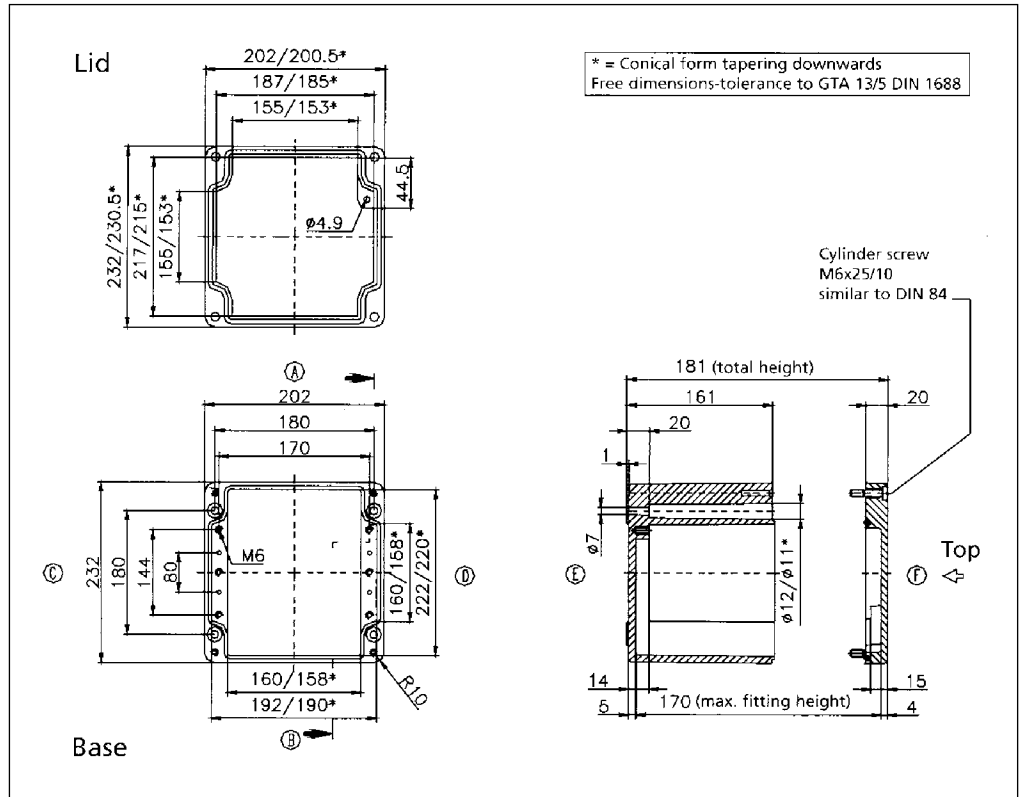
Aluminum Watertight

01232018 00/85

External Dimensions: L 202 x W 232 x H 181 mm

Page 1-3, 5

Standard Features
<ul style="list-style-type: none"> • 10093134 00 M6x25 Stainless steel captive combo head lid screws. • 10093117 00 M6x10 Copper ground screws.
Accessories
<ul style="list-style-type: none"> • 10093263 00 Allen head lid screws. • 10052034 00 External Brackets. • 10061410 00 Terminal rail (TS 32). • 10061430 00 Terminal rail (TS 35). • 10052101 00 External hinges. • 10052161 00 Internal Hinges. • 10050408 00 Grounding Strip. • 10089120 00 Mounting Plate.

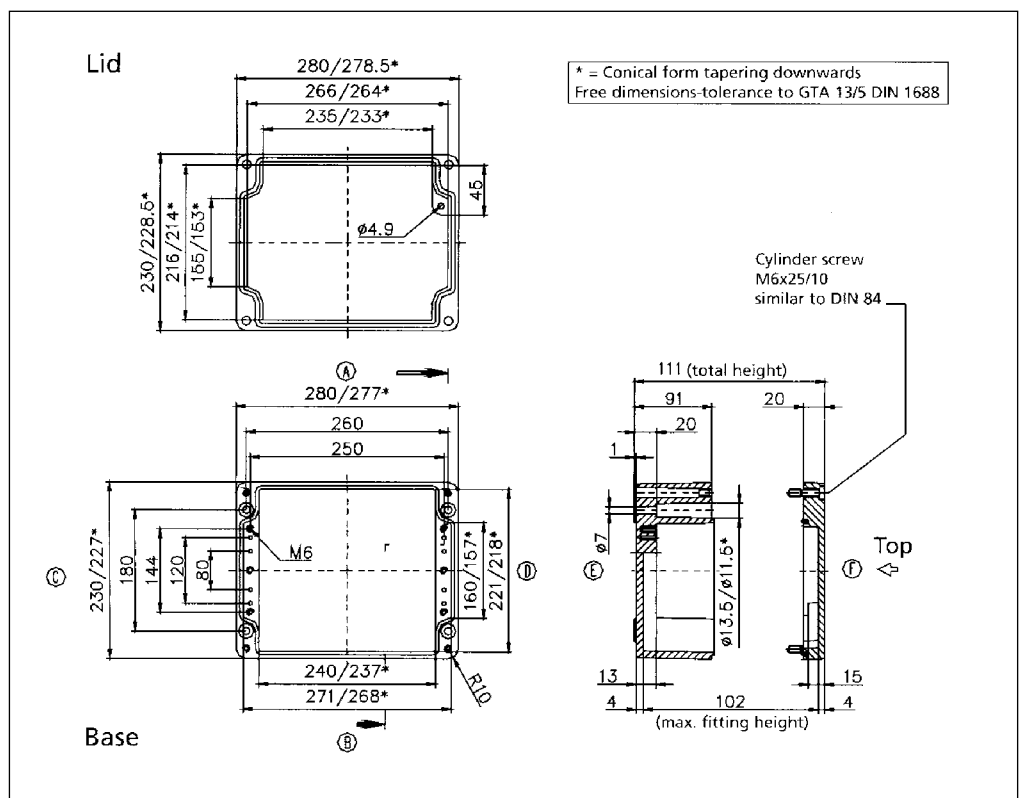


01232811 00/85

External Dimensions: L 280 x W 230 x H 111 mm

Page 1-3, 5

Standard Features
<ul style="list-style-type: none"> • 10093134 00 M6x25 Stainless steel captive combo head lid screws. • 10093117 00 M6x10 Copper ground screws.
Accessories
<ul style="list-style-type: none"> • 10093263 00 Allen head lid screws. • 10052034 00 External Brackets. • 10061400 00 Terminal rail (TS 32). • 10061431 00 Terminal rail (TS 35). • 10052101 00 External hinges. • 10052161 00 Internal Hinges. • 10050409 00 Grounding Strip. • 10089121 00 Mounting Plate.



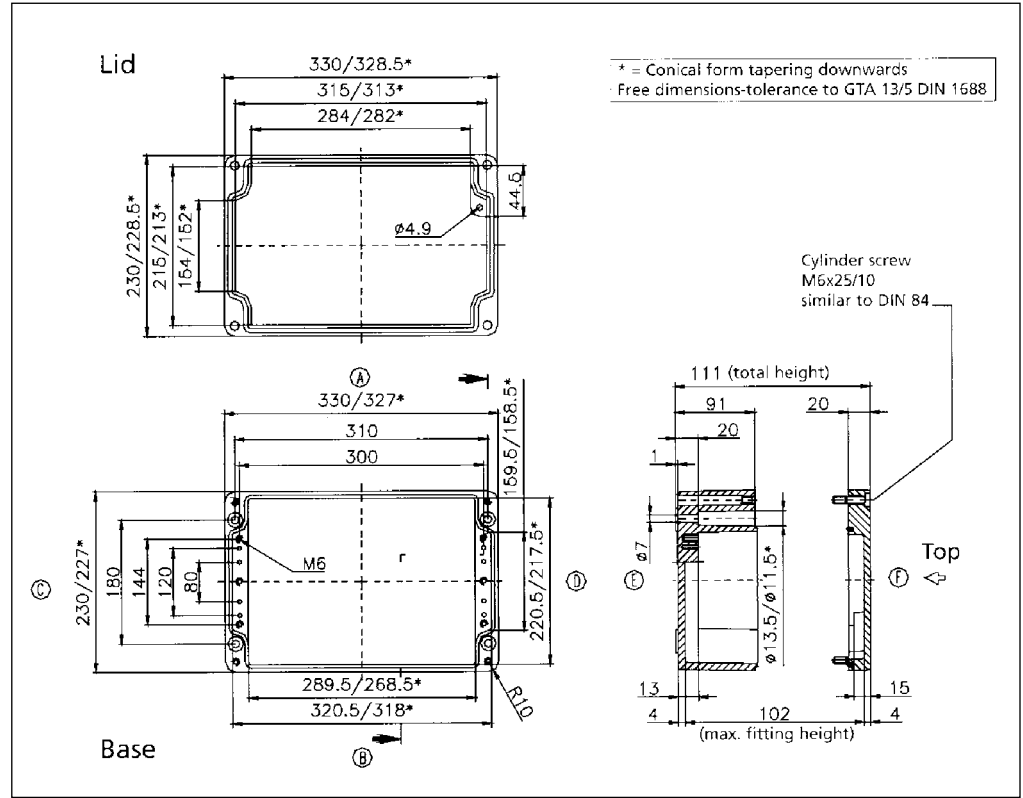


01233311 00/85

External Dimensions: L 330 x W 230 x H 111 mm

Page 1-3, 5

Standard Features
<ul style="list-style-type: none"> • 10093134 00 M6x25 Stainless steel captive combo head lid screws. • 10093117 00 M6x10 Copper ground screws.
Accessories
<ul style="list-style-type: none"> • 10093263 00 Allen head lid screws. • 10052034 00 External Brackets. • 10061412 00 Terminal rail (TS 32). • 10061432 00 Terminal rail (TS 35). • 10052101 00 External hinges. • 10052161 00 Internal Hinges. • 10050410 00 Grounding Strip. • 10089122 00 Mounting Plate.

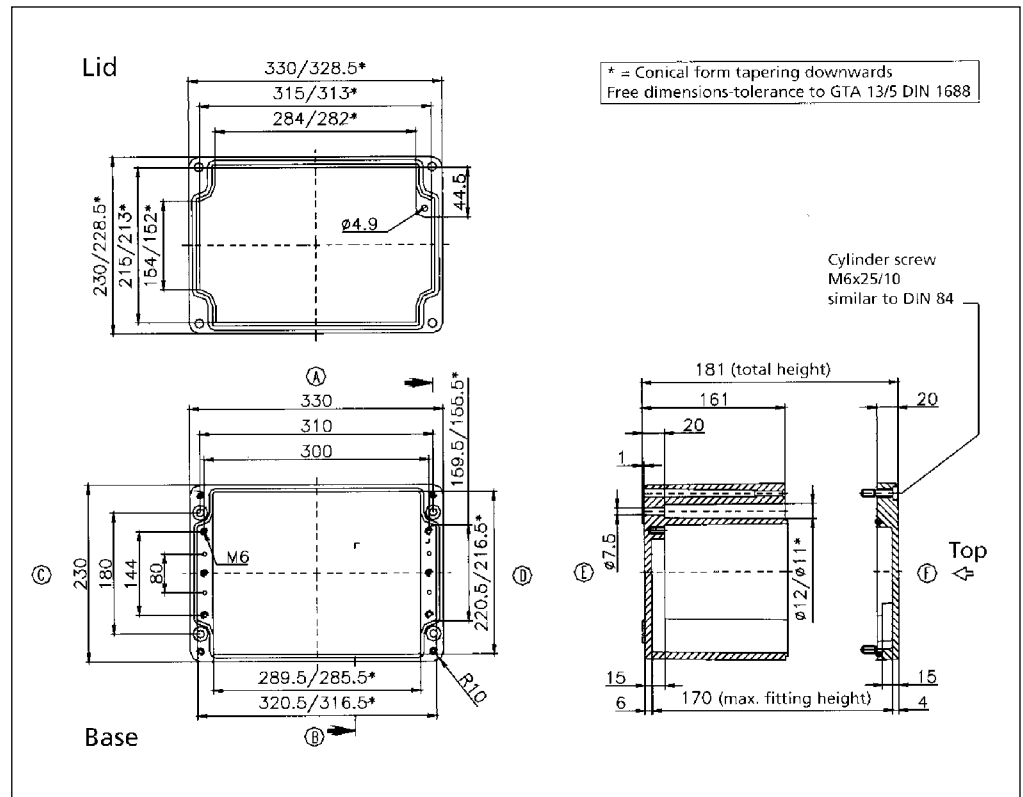


01233318 00/85

External Dimensions: L 330 x W 230 x H 181 mm

Page 1-3, 5

Standard Features
<ul style="list-style-type: none"> • 10093134 00 M6x25 Stainless steel captive combo head lid screws. • 10093117 00 M6x10 Copper ground screws.
Accessories
<ul style="list-style-type: none"> • 10093263 00 Allen head lid screws. • 10052034 00 External Brackets. • 10061412 00 Terminal rail (TS 32). • 10061432 00 Terminal rail (TS 35). • 10052101 00 External hinges. • 10052161 00 Internal Hinges. • 10050410 00 Grounding Strip. • 10089122 00 Mounting Plate.



Dimensional Drawings

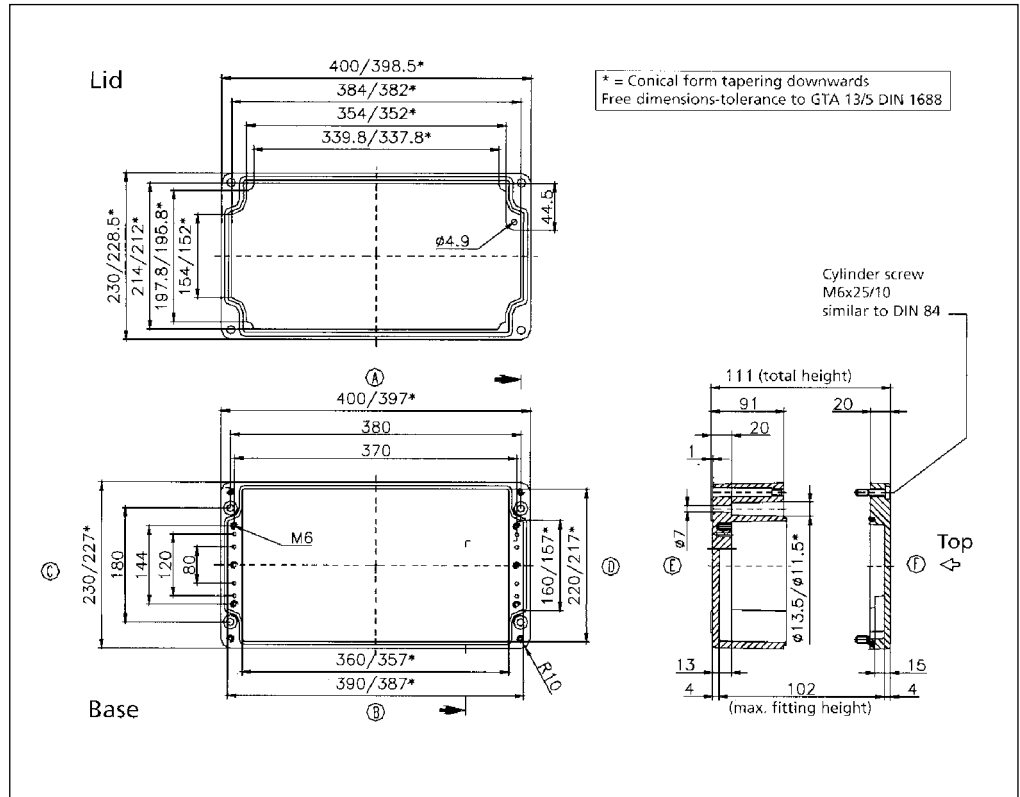
Aluminum Watertight

01234011 00/85

External Dimensions: L 400 x W 230 x H 111 mm

Page 1-3, 5

Standard Features
<ul style="list-style-type: none"> • 10093134 00 M6x25 Stainless steel captive combo head lid screws. • 10093117 00 M6x10 Copper ground screws.
Accessories
<ul style="list-style-type: none"> • 10093263 00 Allen head lid screws. • 10052034 00 External Brackets. • 10052101 00 External hinges. • 10052161 00 Internal Hinges. • 10061407 00 Terminal rail (TS 32). • 10061427 00 Terminal rail (TS 35). • 10050411 00 Grounding Strip. • 10089123 00 Mounting Plate.

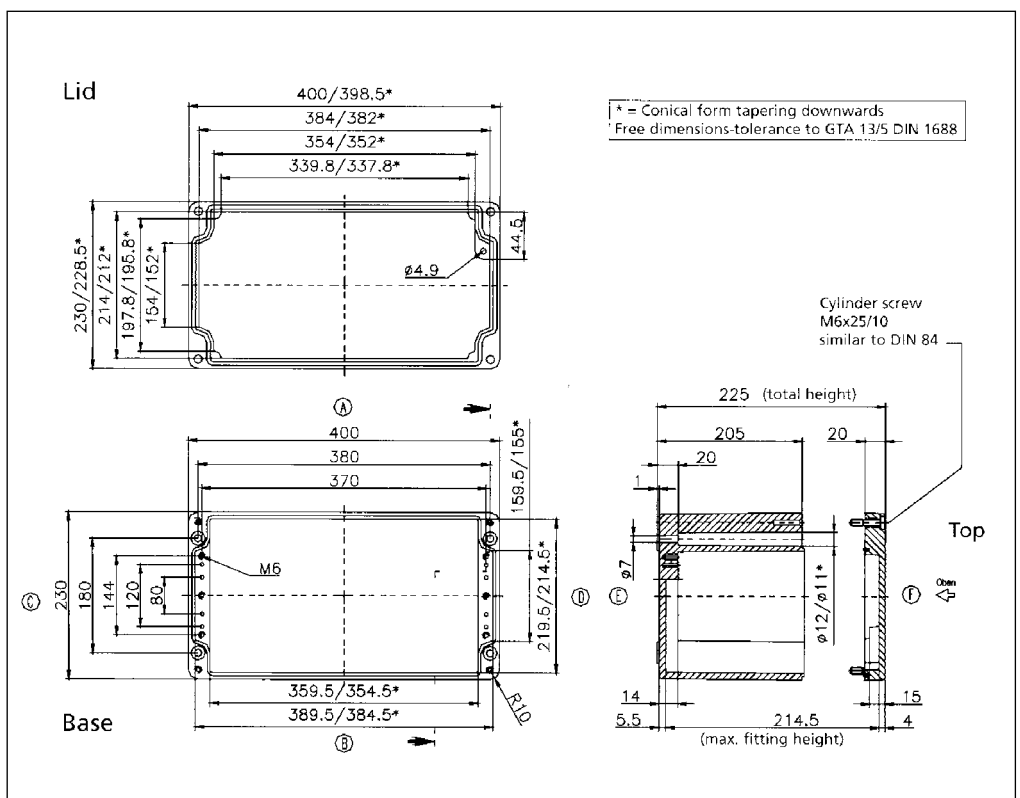


01234023 00/85

External Dimensions: L 400 x W 230 x H 225 mm

Page 1-3, 5

Standard Features
<ul style="list-style-type: none"> • 10093134 00 M6x25 Stainless steel captive combo head lid screws. • 10093117 00 M6x10 Copper ground screws.
Accessories
<ul style="list-style-type: none"> • 10093263 00 Allen head lid screws. • 10052034 00 External Brackets. • 10061407 00 Terminal rail (TS 32). • 10061427 00 Terminal rail (TS 35). • 10052101 00 External hinges. • 10052161 00 Internal Hinges. • 10050411 00 Grounding Strip. • 10089123 00 Mounting Plate.



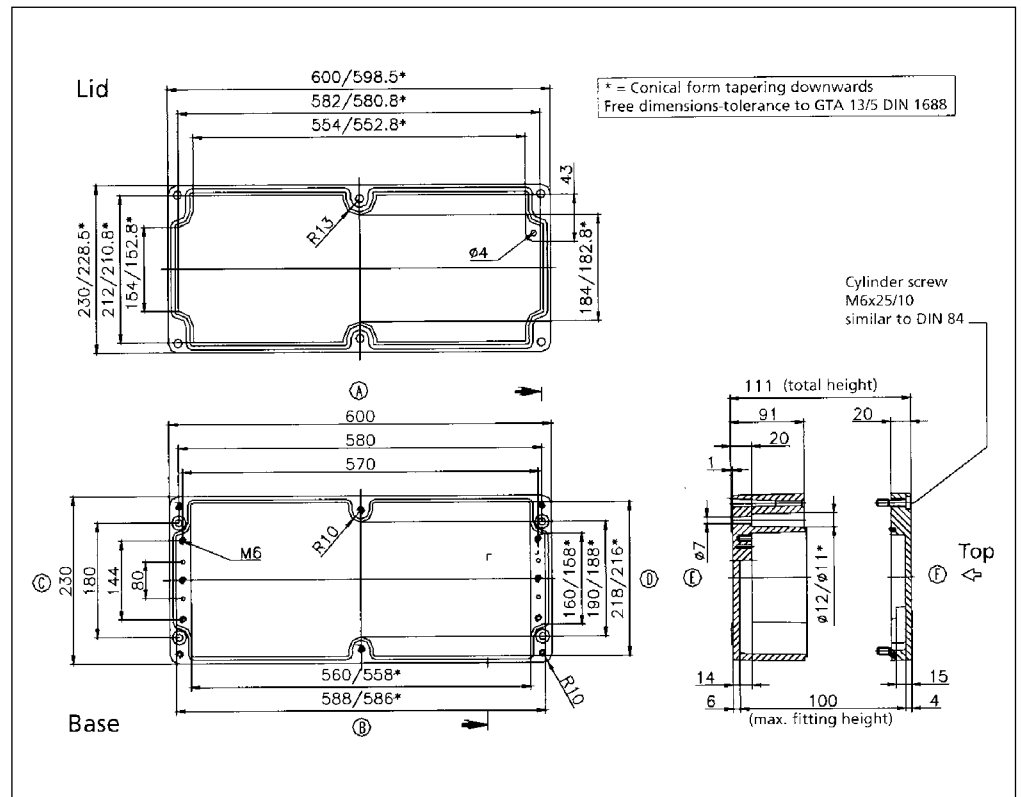


01236011 00/85

External Dimensions: L 600 x W 230 x H 111 mm

Page 1-3, 5

Standard Features
<ul style="list-style-type: none"> • 10093134 00 M6x25 Stainless steel captive combo head lid screws. • 10093117 00 M6x10 Copper ground screws.
Accessories
<ul style="list-style-type: none"> • 10093263 00 Allen Head Lid screws. • 10052034 00 External Brackets. • 10061408 00 Terminal rail (TS 32). • 10061428 00 Terminal rail (TS 35). • 10052101 00 External hinges. • 10052161 00 Internal Hinges. • 10050412 00 Grounding Strip. • 10089124 00 Mounting Plate.

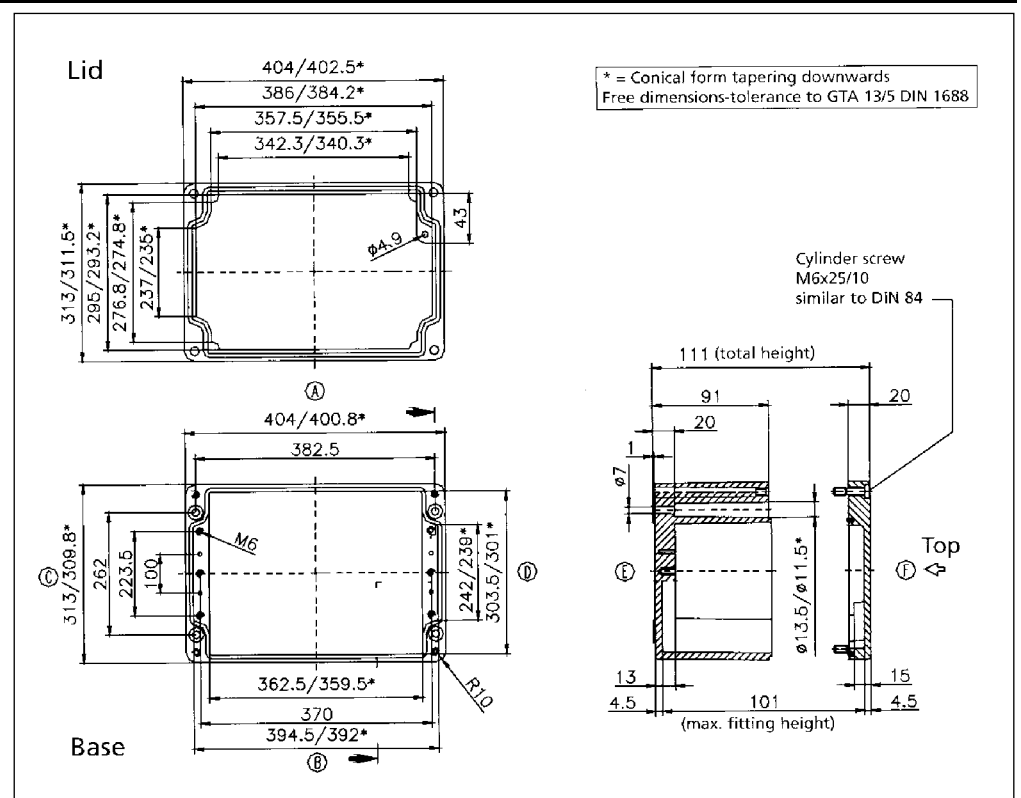


01314011 00/85

External Dimensions: L 404 x W 313 x H 111 mm

Page 1-3, 5

Standard Features
<ul style="list-style-type: none"> • 10093134 00 M6x25 Stainless steel captive combo head lid screws. • 10093117 00 M6x10 Copper ground screws.
Accessories
<ul style="list-style-type: none"> • 10093263 00 Allen Head Lid screws. • 10052034 00 External Brackets. • 10061407 00 Terminal rail (TS 32). • 10061427 00 Terminal rail (TS 35). • 10052101 00 External hinges. • 10052161 00 Internal Hinges. • 10050411 00 Grounding Strip. • 10089131 00 Mounting Plate.



Dimensional Drawings

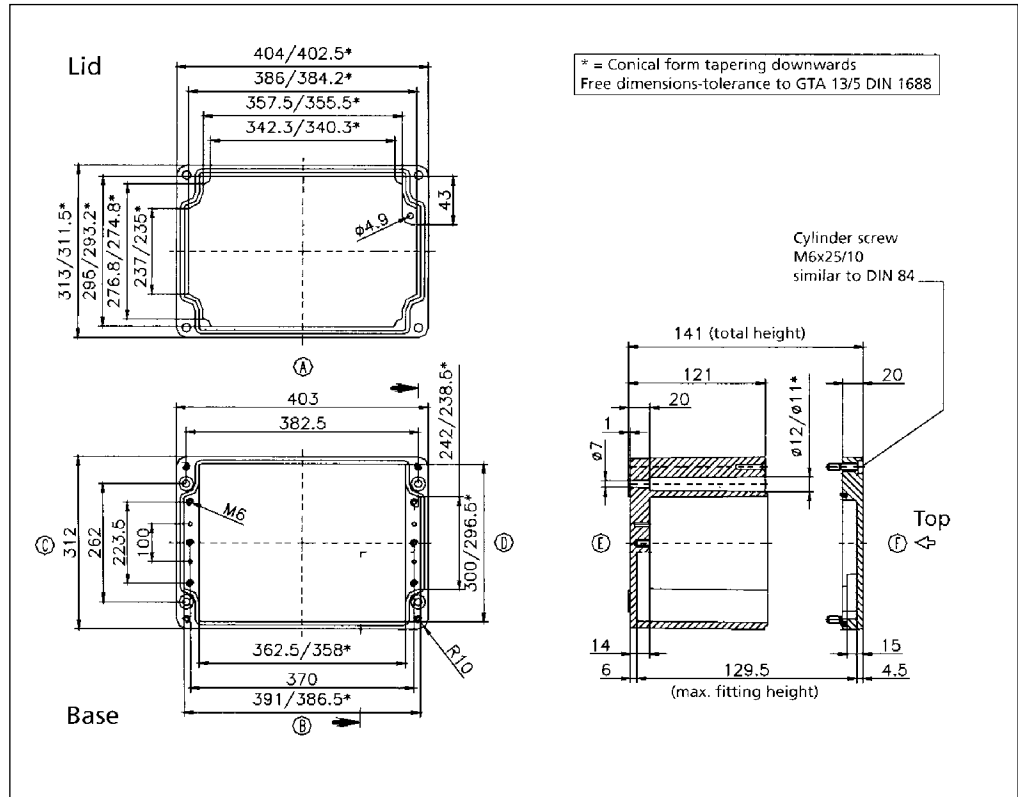
Aluminum Watertight

01314014 00/85

External Dimensions: L 404 x W 313 x H 141 mm

Page 1-3, 5

Standard Features
<ul style="list-style-type: none"> • 10093134 00 M6x25 Stainless steel captive combo head lid screws. • 10093117 00 M6x10 Copper ground screws.
Accessories
<ul style="list-style-type: none"> • 10093263 00 Allen head lid screws. • 10052034 00 External Brackets. • 10061407 00 Terminal rail (TS 32). • 10061427 00 Terminal rail (TS 35). • 10052101 00 External hinges. • 10052161 00 Internal Hinges. • 10050411 00 Grounding Strip. • 10089131 00 Mounting Plate.

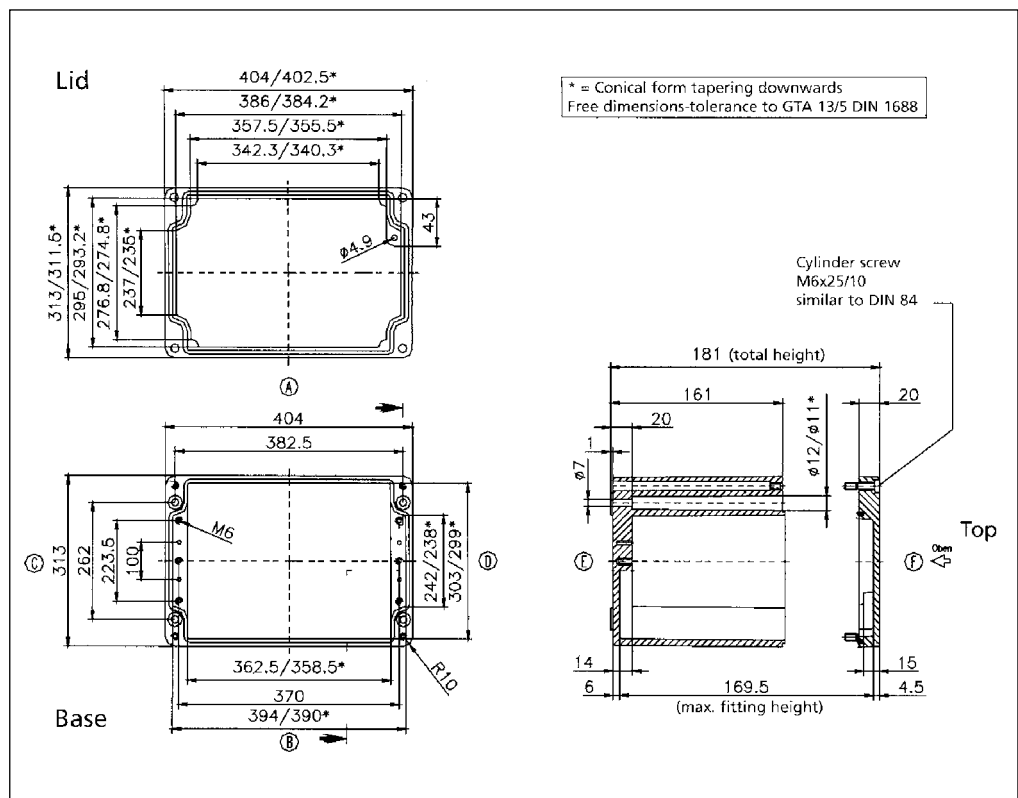


01314018 00/85

External Dimensions: L 404 x W 313 x H 181 mm

Page 1-3, 5

Standard Features
<ul style="list-style-type: none"> • 10093134 00 M6x25 Stainless steel captive combo head lid screws. • 10093117 00 M6x10 Copper ground screws.
Accessories
<ul style="list-style-type: none"> • 10093263 00 Allen head lid screws. • 10052034 00 External Brackets. • 10061407 00 Terminal rail (TS 32). • 10061427 00 Terminal rail (TS 35). • 10052101 00 External hinges. • 10052161 00 Internal Hinges. • 10062011 00 Grounding Strip. • 10089131 00 Mounting Plate.

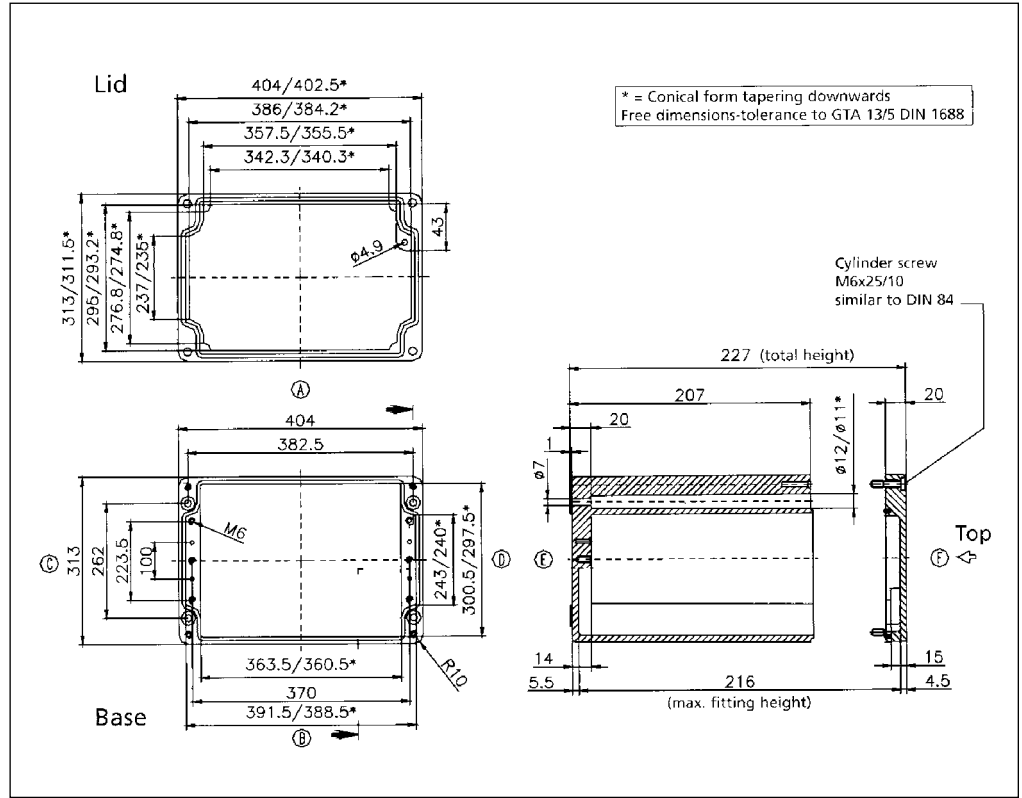




01314023 00/85

External Dimensions: L 404 x W 313 x H 227 mm

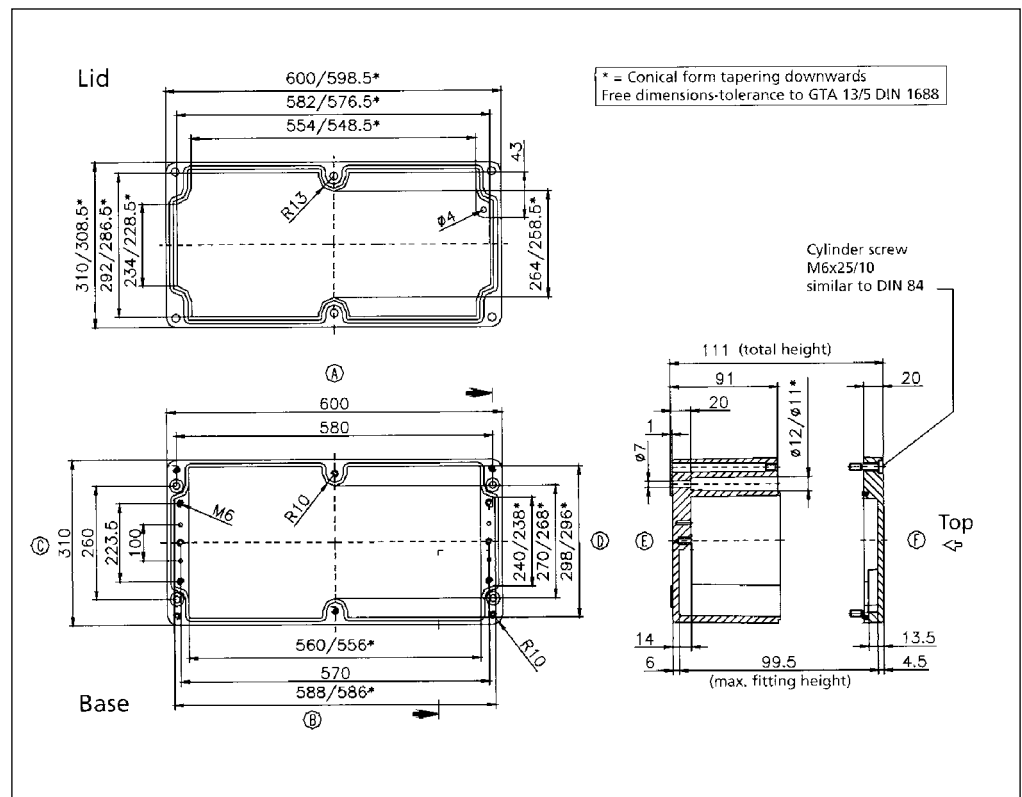
Standard Features
<ul style="list-style-type: none"> • 10093134 00 M6x25 Stainless steel captive combo head lid screws. • 10093117 00 M6x10 Copper ground screws.
Accessories
<ul style="list-style-type: none"> • 10093263 00 Allen head lid screws. • 10052034 00 External Brackets. • 10061407 00 Terminal rail (TS 32). • 10061427 00 Terminal rail (TS 35). • 10052101 00 External hinges. • 10052161 00 Internal Hinges. • 10062011 00 Grounding Strip. • 10089131 00 Mounting Plate.



01316011 00/85

External Dimensions: L 600 x W 310 x H 111 mm

Standard Features
<ul style="list-style-type: none"> • 10093134 00 M6x25 Stainless steel captive combo head lid screws. • 10093117 00 M6x10 Copper ground screws.
Accessories
<ul style="list-style-type: none"> • 10093263 00 Allen head lid screws. • 10061408 00 Terminal rail (TS 32). • 10061428 00 Terminal rail (TS 35). • 10052034 00 External Brackets. • 10052101 00 External hinges. • 10052161 00 Internal Hinges. • 10050414 00 Grounding Strip. • 10089132 00 Mounting Plate.



Aluminum Watertight

01606020 00/85

External Dimensions: L 600 x W 600 x H 202 mm

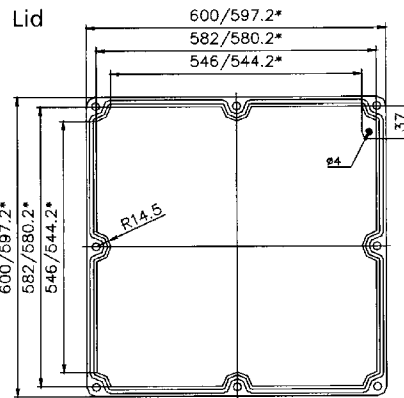
Page 1-3, 5

Standard Features

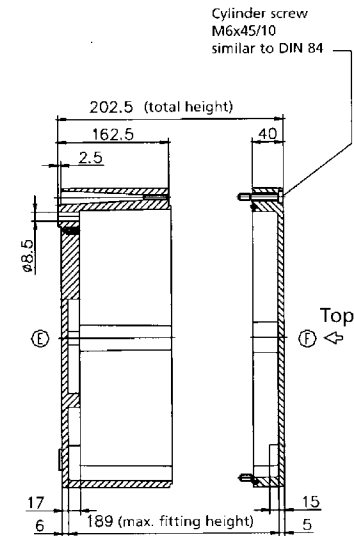
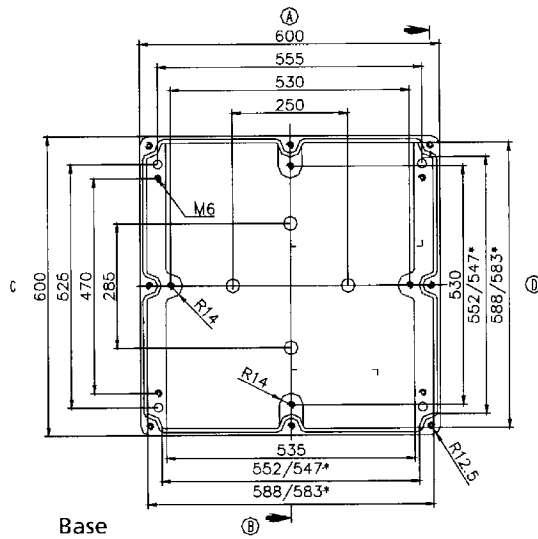
- 10093081 00 M6x45 Stainless steel captive combo head lid screws.
- 10093117 00 M6x10 Copper ground screws.

Accessories

- 10061413 00 Terminal rail (TS 32)
- 10061433 00 Terminal rail (TS 35)
- 10089136 00 Mounting Plate



* = Conical form tapering downwards
Free dimensions-tolerance to GTA 13/5 DIN 1688

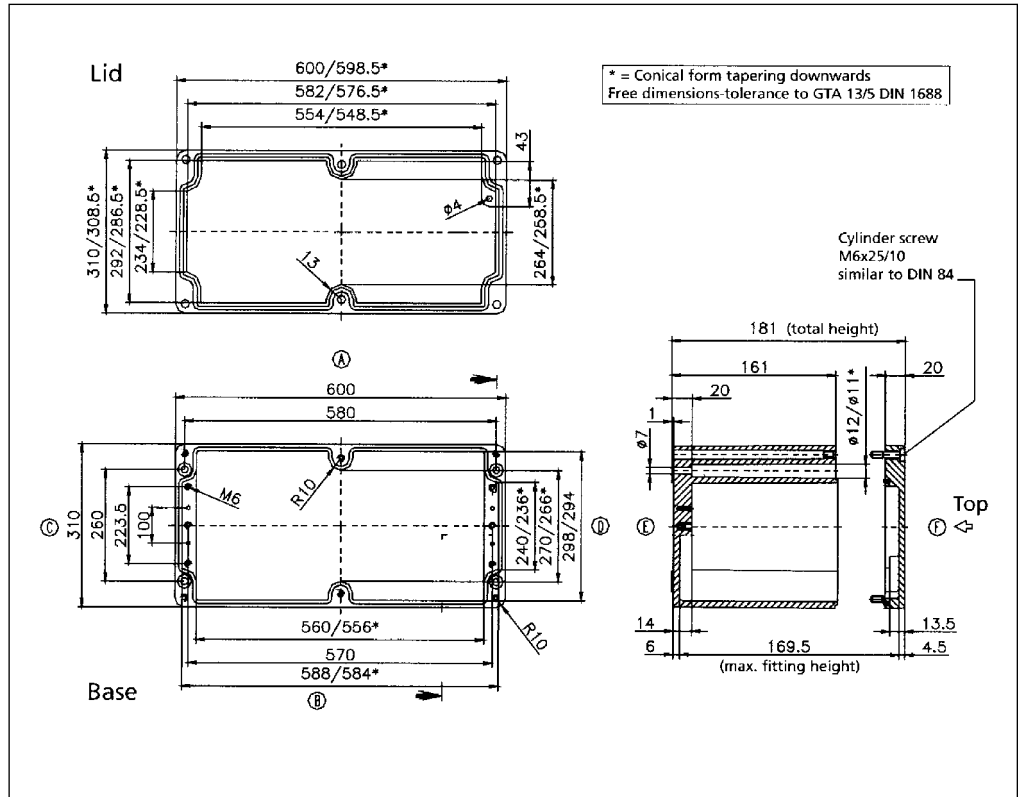




01316018 00/85

External Dimensions: L 600 x W 310 x H 181 mm

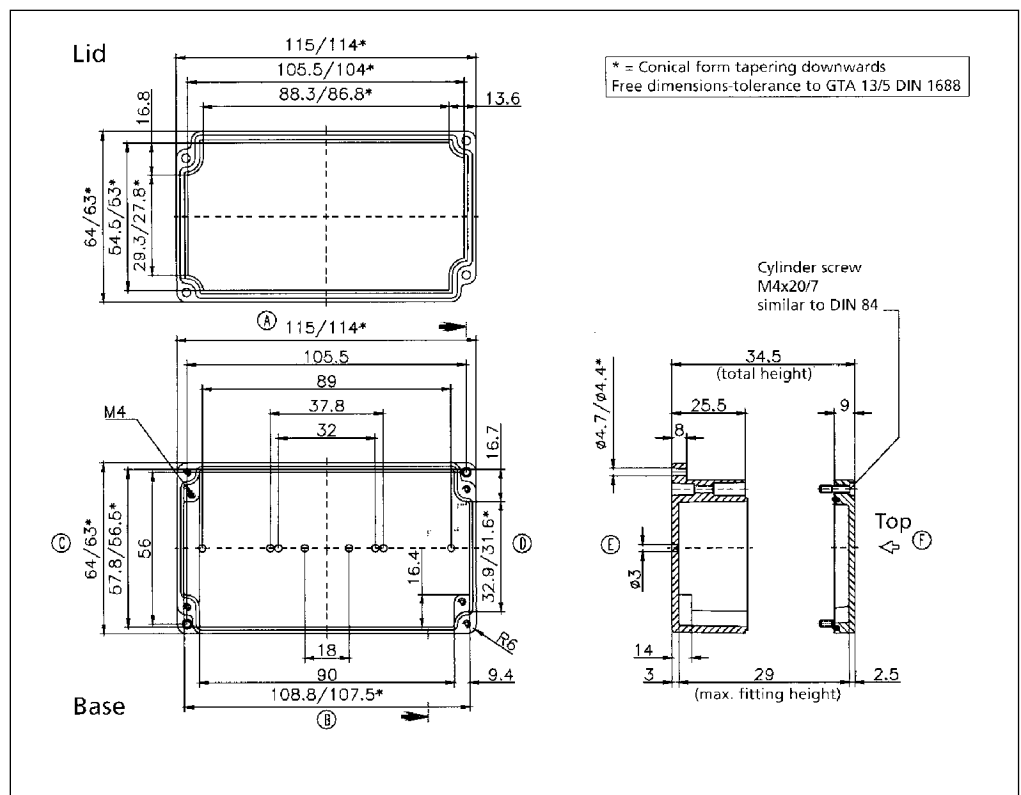
Standard Features
<ul style="list-style-type: none"> • 10093134 00 M6x25 Stainless steel captive combo head lid screws. • 10093117 00 M6x10 Copper ground screws.
Accessories
<ul style="list-style-type: none"> • 10093263 00 Allen head lid screws. • 10052034 00 External Brackets. • 10061408 00 Terminal rail (TS 32). • 10061428 00 Terminal rail (TS 35). • 10052101 00 External hinges. • 10052161 00 Internal Hinges. • 10050414 00 Grounding Strip. • 10089132 00 Mounting Plate.



01061200 00/85

External Dimensions: L 115 x W 64 x H 34 mm

Standard Features
<ul style="list-style-type: none"> • 10093132 00 M4x20 Stainless steel captive combo head lid screws. • 10093116 00 M4x7 Copper ground screws.
Accessories
<ul style="list-style-type: none"> • 10093091 00 Allen head lid screws.



Aluminum Watertight

01061900 00/85

External Dimensions: L 185 x W 64 x H 34 mm

Page 1-6

Standard Features
<ul style="list-style-type: none"> • 10093132 00 M4x20 Stainless steel captive combo head lid screws. • 10093116 00 M4x7 Copper ground screws.
Accessories
<ul style="list-style-type: none"> • 10093091 00 Allen head lid screws.

