



**ROSE+BOPLA**  
ENCLOSURES

A PHOENIX MECANO COMPANY

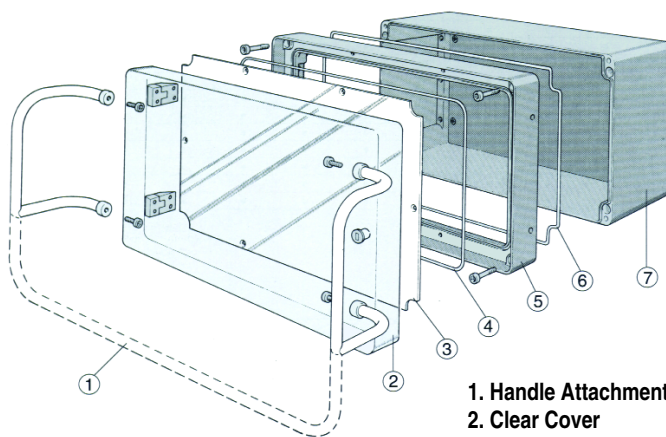
**1300 Small Machine  
Control Enclosures  
Product Drawings  
Last Updated 6/26/2008**

*Dimensional Drawings*



**TECHNICAL DATA:**

- Color: Body, agate gray, similar to RAL 7038. Bezel, transport gray, similar to RAL 7043. Special color available on request.
- Material: Enclosure body, die cast aluminum, AL Si 12. Bezel, die cast aluminum AL Si 12. Front panel, anodized sheet aluminum, 3mm thick.
- Gasket Material: Neoprene
- Protection Classifications: IP 65 to EN 60529 NEMA 12
- Temperature range: -40° F up to +194° F
- Impact Resistance: >7Nm, EN 50014 for enclosure body



1. Handle Attachment
2. Clear Cover
3. Front Panel
4. Front Panel Seal
5. Front Frame
6. Frame Seal
7. Enclosure Body

Rose+Bopla's small aluminum machine control enclosures are designed for retro-fitting older machines and mills for NC and CNC controls, as well as for new equipment control packages.

## 1300 Machine Control

This rugged die cast aluminum housing will operate in harsh manufacturing applications where oil, cutting fluids, vibration and shock are normal, everyday conditions.

The rear section is a rugged die cast aluminum base. The front bezel is a die cast aluminum frame with a removable clear anodized aluminum face plate. The base, front bezel and front face plate are all gasketed with neoprene gaskets to seal out oil, water and cutting fluids.

The face plate is easily removed for machining, silkscreening, and engraving.

Two types of handles are offered for most models—2 separate handles, or a ¾ wrap-around handle that can be mounted vertically or horizontally.

A front bezel with a beveled frame, specially designed for membrane front panels, is available for most sizes. Clear transparent doors, with snap latch or key operated locking latch, are available for most sizes. This viewing door is a protective cover and is not NEMA rated. We strongly recommend the installation of internal hinges with each small machine control housing. These hinges are invisible when the unit is operational, but allow the front panel to swing to the side, or drop down like a tray when the front bezel is opened for service access.

This system is designed to be used with the Rose+Bopla suspension arm systems 4949, 4951, 4961, and 4981.

Small Machine Control Enclosures—1300 Series					
Part Number	Length (Inches/mm)	Width (Inches/mm)	Height (Inches/mm)	Weight	Drawing Page #
13050000	3.94 / 100	9.06 / 230	5.09 / 129	4.78 lbs	17-216
13070000	6.30 / 160	10.24 / 260	4.29 / 109	4.72 lbs	17-217
13080000	6.30 / 160	14.17 / 360	4.29 / 109	6.02 lbs	17-218
13090000	6.30 / 160	22.05 / 560	4.29 / 109	11.88 lbs	17-216
13100000	7.95 / 202	9.13 / 232	5.08 / 129	6.83 lbs	17-219
13110000	7.95 / 202	9.13 / 232	7.79 / 198	9.91 lbs	17-220
13120000	12.99 / 330	9.06 / 230	5.08 / 129	10.19 lbs	17-221
13130000	12.99 / 330	9.06 / 230	7.83 / 199	13.56 lbs	17-222
13140000	15.75 / 400	9.06 / 230	5.08 / 129	11.70 lbs	17-223
13150000	15.75 / 400	9.06 / 230	9.57 / 243	15.08 lbs	17-224
13160000	23.62 / 600	9.06 / 230	5.08 / 129	14.44 lbs	17-225
13170000	11.02 / 280	9.06 / 230	5.08 / 129	8.82 lbs	17-226
13200000	15.91 / 404	12.32 / 313	5.08 / 129	14.08 lbs	17-227
13210000	15.91 / 404	12.32 / 313	7.83 / 199	18.11 lbs	17-228
13220000	23.62 / 600	12.20 / 310	5.08 / 129	21.43 lbs	17-225
13230000	23.62 / 600	12.20 / 310	7.83 / 199	22.71 lbs	17-229
13240000	15.91 / 404	12.32 / 313	9.65 / 245	19.18 lbs	17-229
13250000	15.89 / 403	12.28 / 312	6.26 / 159	15.62 lbs	17-230

Note: Dimensions are external. Metric is the primary dimension. Inch conversions are for the user's convenience and are for reference only. Accessories shown on drawing page.

These small machine control enclosures with membrane keypad-ready lids were developed from the standard line of 1300 Machine Control Enclosures on page 7-2. They are built on the

## 1300 Membrane Lid Versions

same base, but a special 2-part front panel lid has been designed for mounting front panels and membrane keypads and to facilitate the mounting of control and display elements.

When combined with a handling frame and Rose+Bopla Suspension Arm Systems, the 1300 Membrane Lid Versions offer all the benefits of a universal operating and control enclosure. These enclosures can be used as housings for: control devices in machine and plant engineering; electronic components in measurement and control engineering; compact industrial PCs; display units; and security and surveillance devices.

### CONSTRUCTION

- Enclosure body
- Two part front frame—the two parts of the frame are fitted on top of each other and attached to the enclosure body with stainless steel Allen head screws.
- Front panel—attached and sealed between the two parts of the frame.
- Seal—tongue and groove system with Neoprene seal.
- Handles—Plastic coated tubular steel
- Internal Mounting—threaded mounting bosses in base for optional galvanized sheet steel mounting plate in or TS 35 DIN rail.
- Enclosure Mounting—through screw channels outside the sealing lip for fixed wall mounting, or to swivel on a Rose+Bopla suspension arm system.



### TECHNICAL DATA:

- Color: Body, agate gray, similar to RAL 7038. 2-part front frame, transport gray, similar to RAL 7043. Special color available on request. Handles, black.
- Material: Enclosure body and 2-part front frame die cast aluminum, AL Si 12 DIN 1725. Front panel, anodized sheet aluminum, 3mm thick. Plastic coated tubular steel handles.
- Finish—powder-coat painted
- Gasket material: Neoprene
- Protection Classifications:  
IP 65 to EN 60529  
NEMA 12
- Temperature range: -40° F up to +194° F
- Impact Resistance: >7Nm, EN 50014

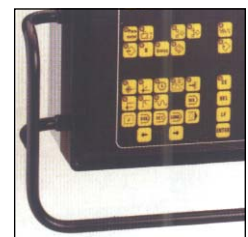
Small Machine Control Enclosures—1300 Series					
Series	Length (Inches/mm)	Width (Inches/mm)	Height (Inches/mm)	Weight (LBS.)	Drawing Page #
1307	6.30 / 160	10.24 / 260	4.29 / 109	5.39	17-217
1308	6.30 / 160	14.17 / 360	4.29 / 109	6.82	17-218
1310	7.95 / 202	9.13 / 232	5.08 / 129	6.69	17-219
1311	7.95 / 202	9.13 / 232	7.79 / 198	9.83	17-220
1312	12.99 / 330	9.06 / 230	5.08 / 129	8.72	17-221
1313	12.99 / 330	9.06 / 230	7.83 / 199	12.20	17-222
1314	15.75 / 400	9.06 / 230	5.08 / 129	10.08	17-223
1315	15.75 / 400	9.06 / 230	9.57 / 243	15.91	17-224
1317	11.02 / 280	9.06 / 230	5.08 / 129	7.48	17-226
1320	15.90 / 404	12.32 / 313	5.08 / 129	13.20	17-227
1321	15.90 / 404	12.32 / 313	7.83 / 199	16.50	17-228
1325	15.87 / 403	12.28 / 312	6.26 / 159	14.74	17-230

Note: Dimensions are external. Metric is the primary dimension. Inch conversions are for the user's convenience and are for reference only.

Accessories shown on drawing page.

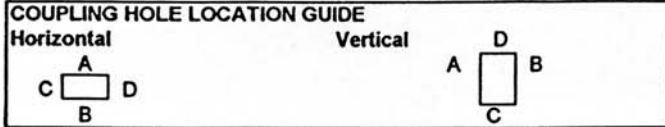
**Call Factory for Further Information**

**Top right:** Handle attachment  
**Bottom right:** two-part front panel lid  
**Bottom Left:** 1300 Machine Control Enclosure with membrane keypad



Dimensional Drawings

# 1300 Custom Ordering Guide



Date \_\_\_\_\_ Company Name \_\_\_\_\_

P.O. \_\_\_\_\_ Quantity \_\_\_\_\_

Customer Signature \_\_\_\_\_

Print Name \_\_\_\_\_

**CIRCLE IF REQUIRED**

Description	Components	Assemble				Rose P.N.
<b>CONTROL ENCLOSURE</b>	Base + Bezel	YES - NO				
	Base Only					
	Bezel Only					
<b>ACCESSORIES</b>	External Hinges	Installed YES - NO	Location A B C D			
	Internal Hinges	YES - NO	A B C D			
	Internal Mounting Plate	YES - NO				
	External Wall Mounting Bracket	YES - NO				
	Clear Anodized Face Plate	YES - NO				
<b>COUPLING HOLE</b> <small>*If other location needed use Special Instructions Below</small>	Series	Hole Installation	Specific Location			Rose P.N.
	4949	YES - NO				
	4951	YES - NO				
	4961	YES - NO				
<b>HANDLES</b>  <b>MACHINE FOR HANDLES</b> YES - NO	Type of Handle	Installed	Specific Location			Rose P.N.
	Dual Side Handles	YES - NO				
	3/4 Handle	YES - NO	A + B			
		Vertical	C + D			
	Horizontal	OTHER (See Below)				
<b>CLEAR DOORS</b>	Type of Door Lock	Installed	Specific Location			Rose P.N.
	Clear Door Snap Lock	YES - NO	A B C D			
	Clear Door Lock With Key	YES - NO	A B C D			
<b>SECONDARY SERVICES</b>	Engrave Per Dwg # _____					
	Machine Per Dwg # _____					
	Silkscreen Per Dwg # _____					
	Paint Instructions _____					
<b>NOTES OR SPECIAL INSTRUCTIONS:</b>						

P.4.118.1 May 25, 1999

**DO NOT WRITE BELOW LINE - FOR INTERNAL USE ONLY**

Salesperson \_\_\_\_\_

PMI Approval Signature \_\_\_\_\_





**13070000 / 1307**

**External Dimensions: L160 x W260 x H108 mm**

**Page 7-2, 3**

**Standard Features**

- 13070000 Machine Control Enclosure includes: painted aluminum base, and bezel.

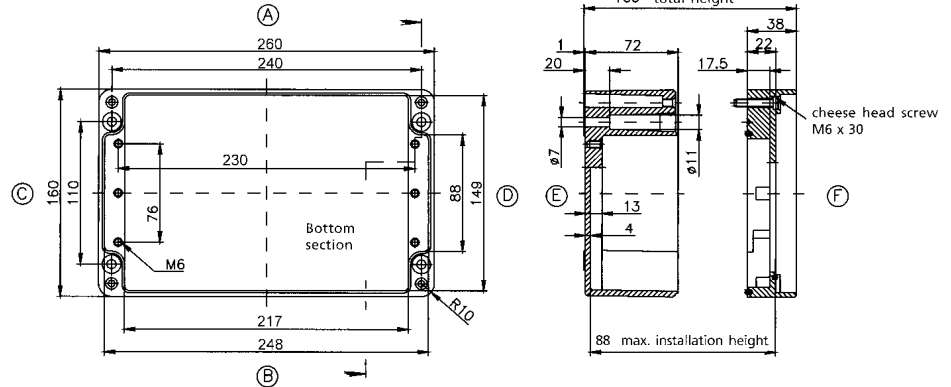
**Membrane Version**

- 1307 Membrane style Machine Control Enclosure includes:
- 10013207 Aluminum front plate - 1F membrane;
- 01162609 85 Unpainted base for 1F membrane style;
- 13070500 20 Bezel designed for membrane front panel.

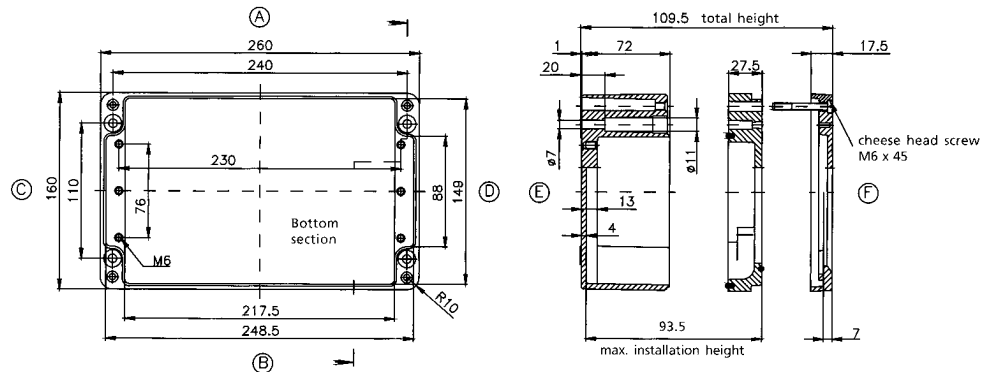
**Accessories**

- 10095050 Aluminum front plate.
- 10052101 External hinge, cast aluminum, 150° swing.
- 10052161 Internal hinge, stainless steel, 95° swing.
- 10052034 External wall-mount bracket
- 10089107 Internal mounting plate.

**Standard Version**



**Membrane Version**



# 1300 Machine Control Enclosures

13080000 / 1308

External Dimensions: L160 x W360 x H109 mm

Page 7-2, 3

### Standard Features

- 13080000 Machine Control Enclosure includes: painted diecast aluminum base, and bezel.

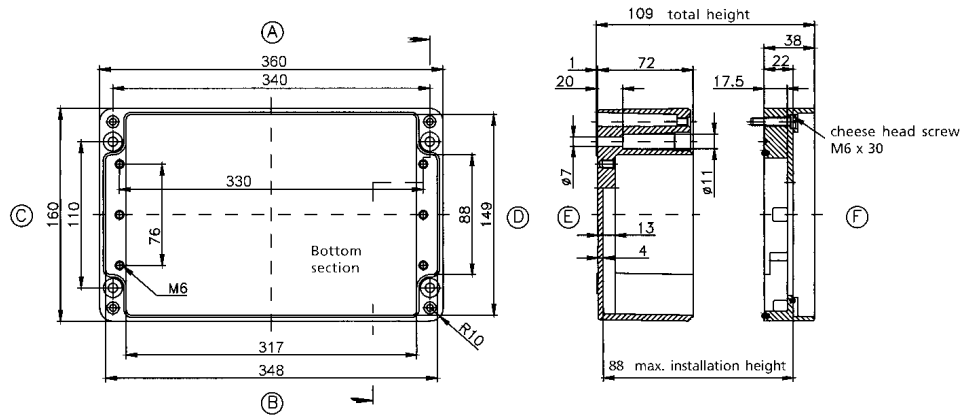
### Membrane Version

- 1308 Membrane style Machine Control Enclosure includes:
- 10013208 Aluminum front plate - 1F membrane;
- 01163609 85 Unpainted base for 1F membrane style;
- 13080500 20 Bezel designed for membrane front panel.

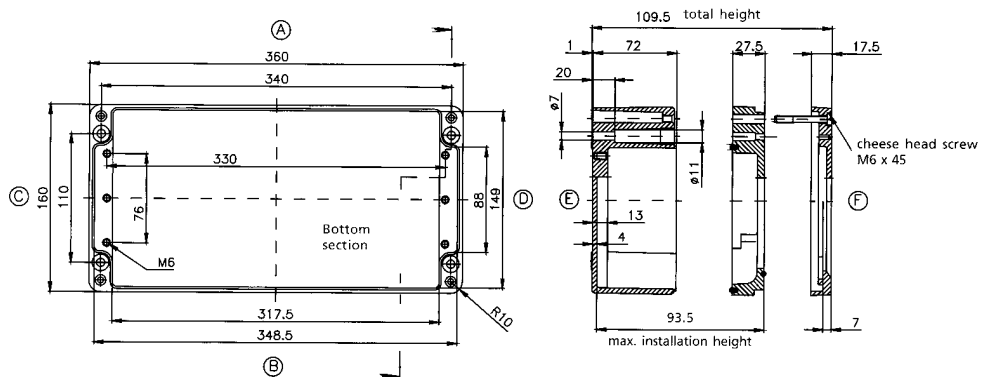
### Accessories

- 10095051 Aluminum front plate.
- 10052101 External hinge, cast aluminum, 150° swing.
- 10052161 Internal hinge, stainless steel, 95° swing.
- 10052034 External wall-mount bracket.
- 10089108 Internal mounting plate.

### Standard Version



### Membrane Version





# 1300 Machine Control Enclosures

13110000 / 1311

External Dimensions: L200 x W230 x H199 mm

Page 7-2, 3

### Standard Features

- 13110000 Machine Control Enclosure includes: painted diecast aluminum base, and bezel.

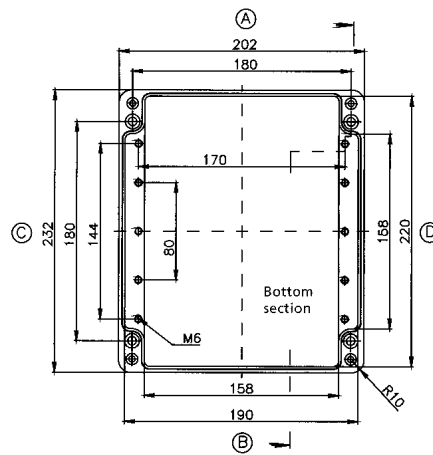
### Membrane Version

- 1311 Membrane style Machine Control Enclosure includes:
- 10013212 Aluminum front plate - 1F membrane;
- 01232018 85 Unpainted base for 1F membrane style;
- 13100500 20 Bezel designed for membrane front panel.

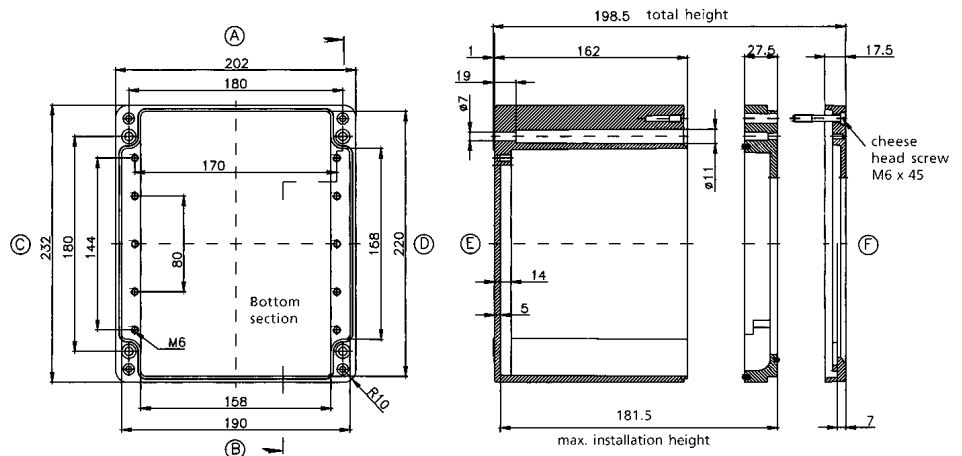
### Accessories

- 10095061 Aluminum front plate.
- 10052101 External hinge, cast aluminum, 150° swing.
- 10052161 Internal hinge, stainless steel, 95° swing.
- 10052034 External wall-mount bracket.
- 10089120 Internal mounting plate.
- 10094450 Horizontal dual side handles.
- 10094450 Vertical dual side handles.
- 10094114 Vertical ¾ wrap handle.

### Standard Version



### Membrane Version





**Standard Features**

- 13120000 Machine Control Enclosure includes: painted diecast aluminum base, and bezel.

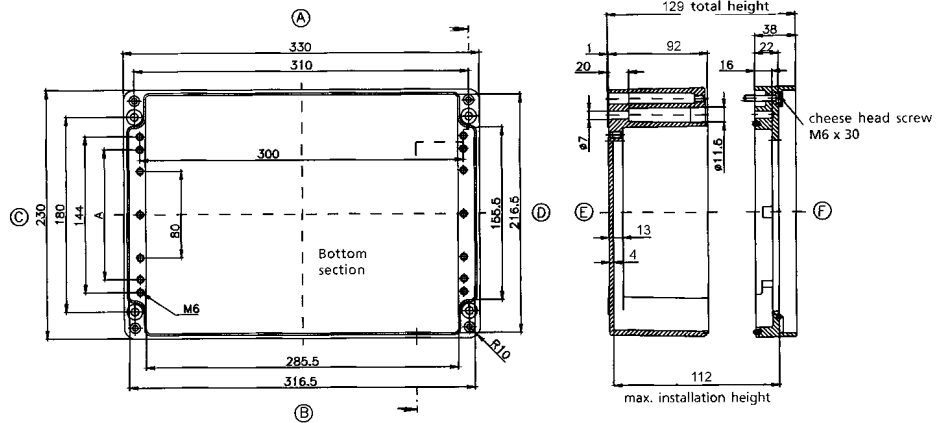
**Membrane Version**

- 1312 Membrane style Machine Control Enclosure includes:
- 10013212 Aluminum front plate - 1F membrane;
- 01233311 85 Unpainted base for 1F membrane style;
- 13120500 20 Bezel designed for membrane front panel.

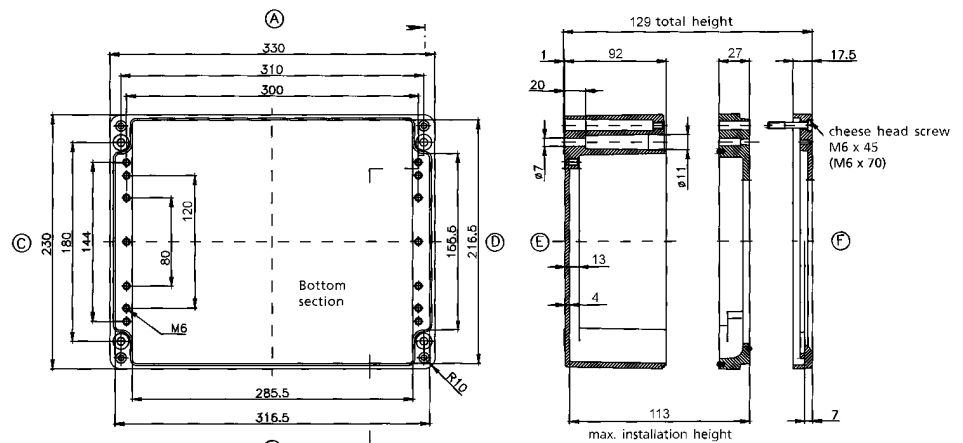
**Accessories**

- 10095062 Aluminum front plate.
- 10052101 External hinge, cast aluminum, 150° swing.
- 10052161 Internal hinge, stainless steel, 95° swing.
- 10052034 External wall-mount bracket.
- 10089122 Internal mounting plate.
- 10094450 Horizontal dual side handles.
- 10094454 Vertical dual side handles.
- 10094116 Horizontal ¾ wrap handle.
- 10094124 Vertical ¾ wrap handle.

**Standard Version**



**Membrane Version**



# 1300 Machine Control Enclosures

13130000 / 1313

External Dimensions: L330 x W230 x H199 mm

Page 7-2, 3

## Standard Features

- 13130000 Machine Control Enclosure includes: painted diecast aluminum base, and bezel.

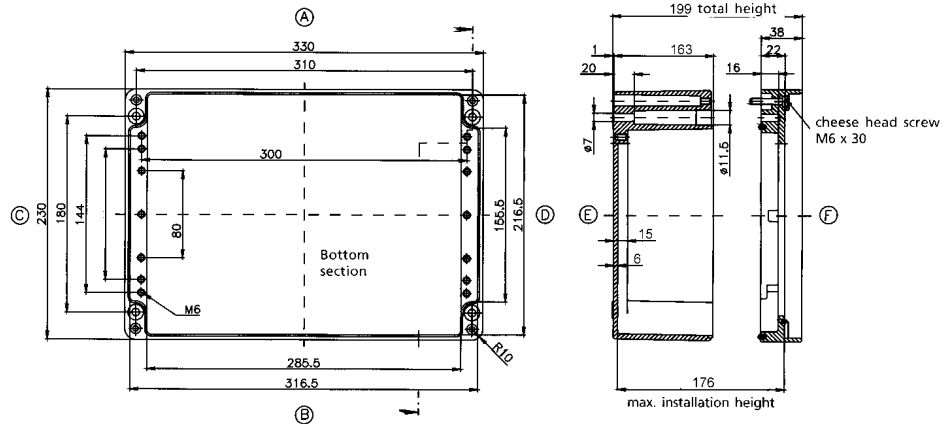
## Membrane Version

- 1313 Membrane style Machine Control Enclosure includes:
- 10013213 Aluminum front plate - 1F membrane;
- 01233318 85 Unpainted base for 1F membrane style;
- 13120500 20 Bezel designed for membrane front panel.

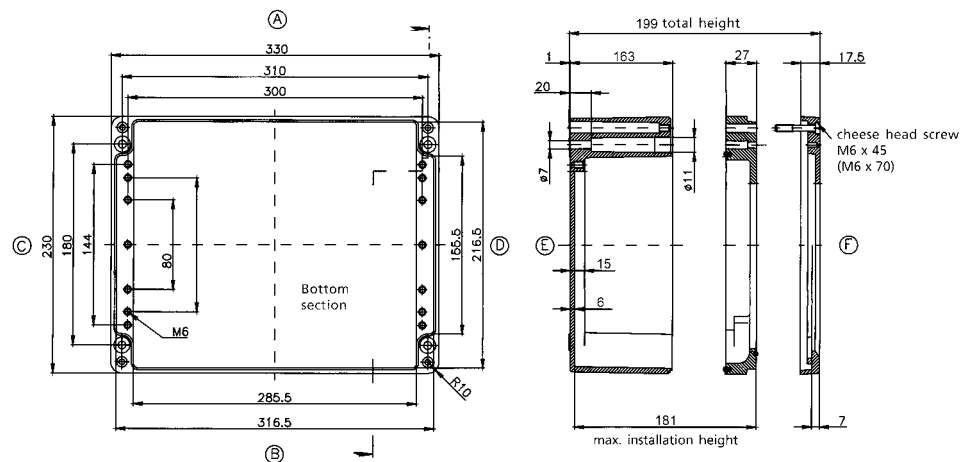
## Accessories

- 10095062 Aluminum front plate.
- 10052101 External hinge, cast aluminum, 150° swing.
- 10052161 Internal hinge, stainless steel, 95° swing.
- 10052034 External wall-mount bracket.
- 10089122 Internal mounting plate.
- 10094450 Horizontal dual side handles.
- 10094454 Vertical dual side handles.
- 10094116 Horizontal ¾ wrap handle.
- 10094124 Vertical ¾ wrap handle.

## Standard Version



## Membrane Version





**13140000 / 1314**

**External Dimensions: L400 x W230 x H129 mm**

**Page 7-2, 3**

### Standard Features

- 13140000 Machine Control Enclosure includes: painted diecast aluminum base, and bezel.

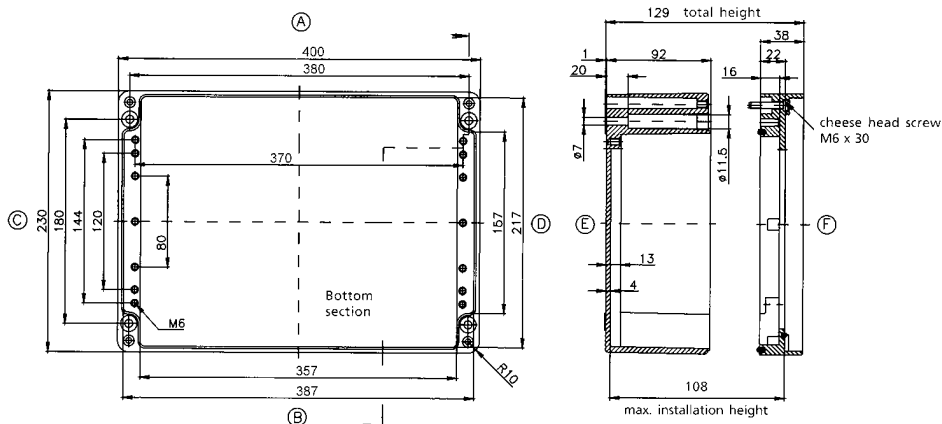
### Membrane Version

- 1314 Membrane style Machine Control Enclosure includes:
- 10013214 Aluminum front plate - 1F membrane;
- 01234011 85 Unpainted base for 1F membrane style;
- 13140500 20 Bezel designed for membrane front panel.

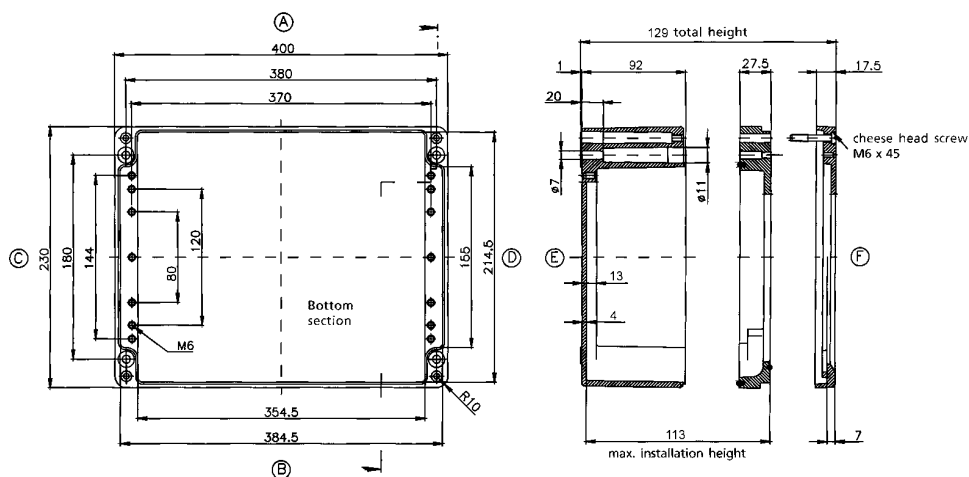
### Accessories

- 10095063 Aluminum front plate.
- 10052101 External hinge, cast aluminum, 150° swing.
- 10052161 Internal hinge, stainless steel, 95° swing.
- 10052034 External wall-mount bracket.
- 10089123 Internal mounting plate.
- 10094450 Horizontal dual side handles.
- 10094456 Vertical dual side handles.
- 10094118 Horizontal ¾ wrap handle.
- 10094124 Vertical ¾ wrap handle.

### Standard Version



### Membrane Version



# 1300 Machine Control Enclosures

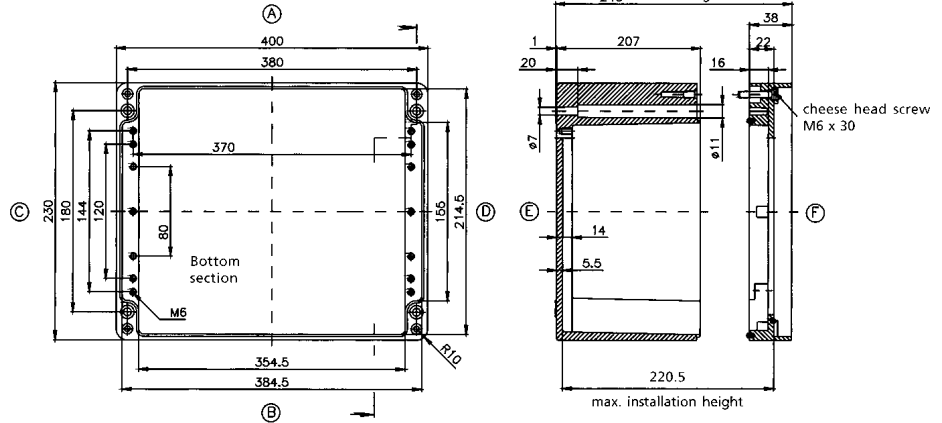
13150000 / 1315

External Dimensions: L400 x W230 x H243 mm

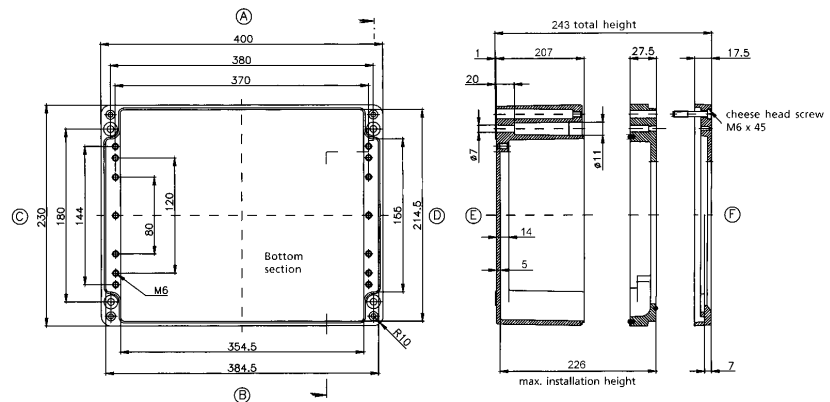
Page 7-2, 3

Standard Features
<ul style="list-style-type: none"> <li>• 13150000 Machine Control Enclosure includes: painted diecast aluminum base, and bezel.</li> </ul>
Membrane Version
<ul style="list-style-type: none"> <li>• 1315 Membrane style Machine Control Enclosure includes:</li> <li>• 10013214 Aluminum front plate - 1F membrane;</li> <li>• 01234023 85 Unpainted base for 1F membrane style;</li> <li>• 13140500 20 Bezel designed for membrane front panel.</li> </ul>
Accessories
<ul style="list-style-type: none"> <li>• 10095063 Aluminum front plate.</li> <li>• 10052101 External hinge, cast aluminum, 150° swing.</li> <li>• 10052161 Internal hinge, stainless steel, 95° swing.</li> <li>• 10052034 External wall-mount bracket.</li> <li>• 10089123 Internal mounting plate.</li> <li>• 10094450 Horizontal dual side handles.</li> <li>• 10094456 Vertical dual side handles.</li> <li>• 10094118 Horizontal ¾ wrap handle.</li> <li>• 10094124 Vertical ¾ wrap handle.</li> </ul>

## Standard Version



## Membrane Version





**13160000**

External Dimensions: L600 x W230 x H129 mm

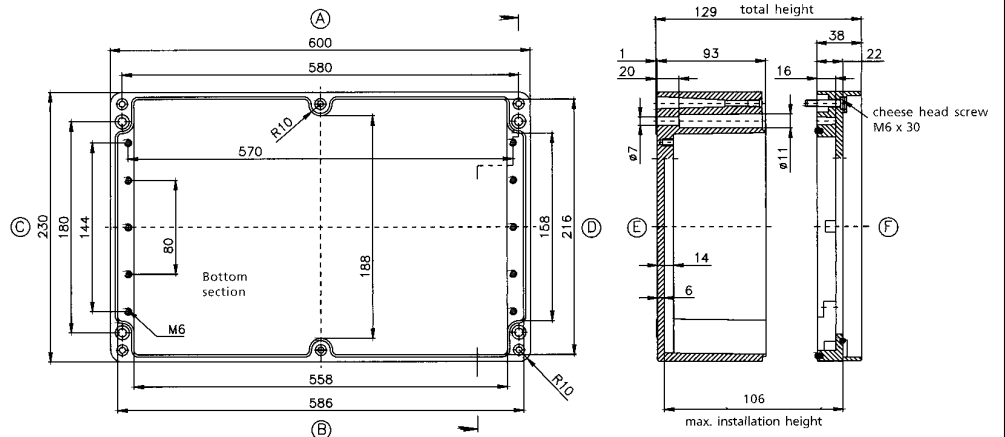
**Standard Features**

- 13160000 Machine Control Enclosure includes: painted diecast aluminum base, and bezel. Membrane style not available.

**Accessories**

- 10095064 Aluminum front plate.
- 10052101 External hinge, cast aluminum, 150° swing.
- 10052161 Internal hinge, stainless steel, 95° swing.
- 10052034 External wall-mount bracket.
- 10089124 Internal mounting plate.
- 10094450 Horizontal dual side handles.
- 10094458 Vertical dual side handles.
- 10094174 Horizontal ¾ wrap handle.
- 10094175 Vertical ¾ wrap handle.

**Standard Version**



**13220000**

External Dimensions: L 600 x W 310 x H 129 mm

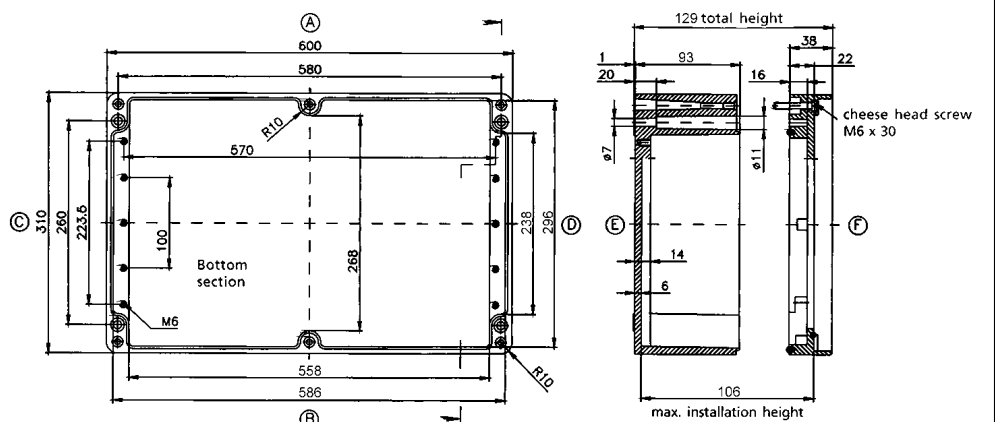
**Standard Features**

- 13220000 Machine Control Enclosure includes: painted diecast aluminum base, and bezel. Membrane style not available.

**Accessories**

- 10095072 Aluminum front plate.
- 10052101 External hinge, cast aluminum, 150° swing.
- 10052161 Internal hinge, stainless steel, 95° swing.
- 10052034 External wall-mount bracket.
- 10089123 Internal mounting plate.
- 10094452 Horizontal dual side handles.
- 10094458 Vertical dual side handles.
- 10094122 Horizontal ¾ wrap handle.
- 10094130 Vertical ¾ wrap handle.

**Standard Version**



# 1300 Machine Control Enclosures

13170000 / 1317

External Dimensions: L280 x W230 x H129 mm

Page 7-2, 3

### Standard Features

- 13170000 Machine Control Enclosure includes: painted diecast aluminum base, and bezel.

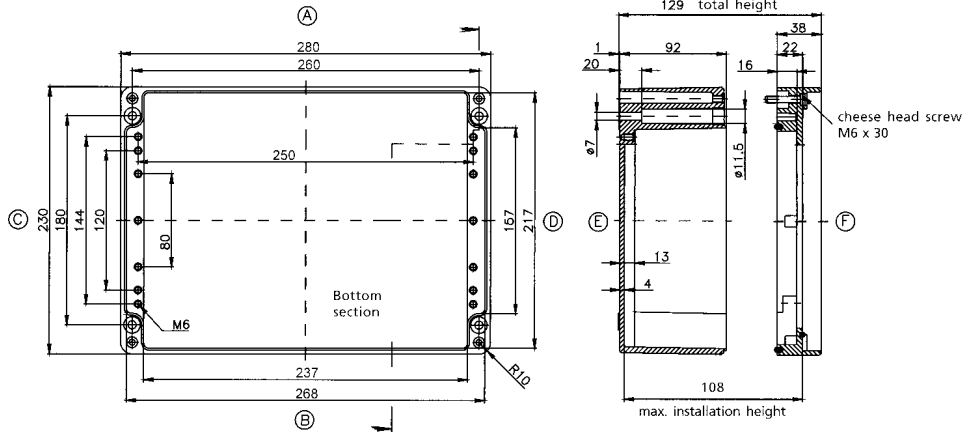
### Membrane Version

- 1317 Membrane style Machine Control Enclosure includes:
- 10013217 Aluminum front plate - 1F membrane;
- 01232811 85 Unpainted base for 1F membrane style;
- 13170500 20 Bezel designed for membrane front panel.

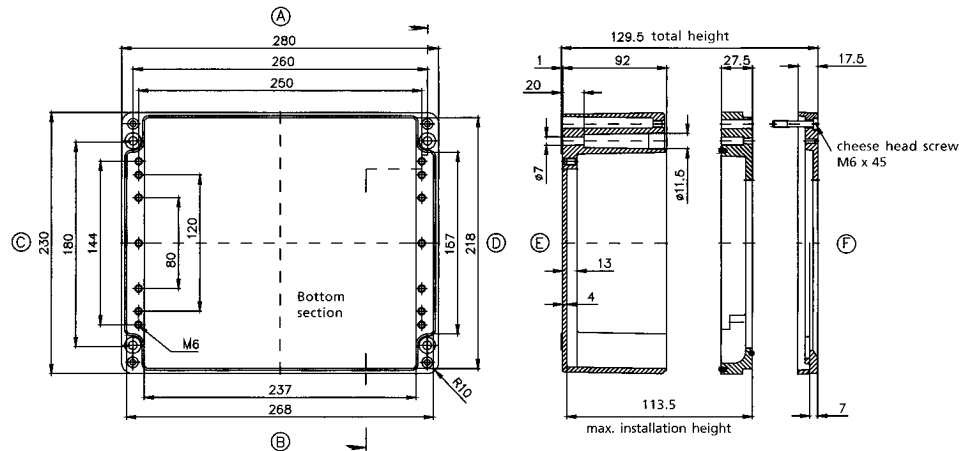
### Accessories

- 10013017 Aluminum front plate.
- 10052101 External hinge, cast aluminum, 150° swing.
- 10052161 Internal hinge, stainless steel, 95° swing.
- 10052034 External wall-mount bracket.
- 10089121 Internal mounting plate.
- 10094450 Horizontal dual side handles.
- 10094457 Vertical dual side handles.

### Standard Version



### Standard Version





**Standard Features**

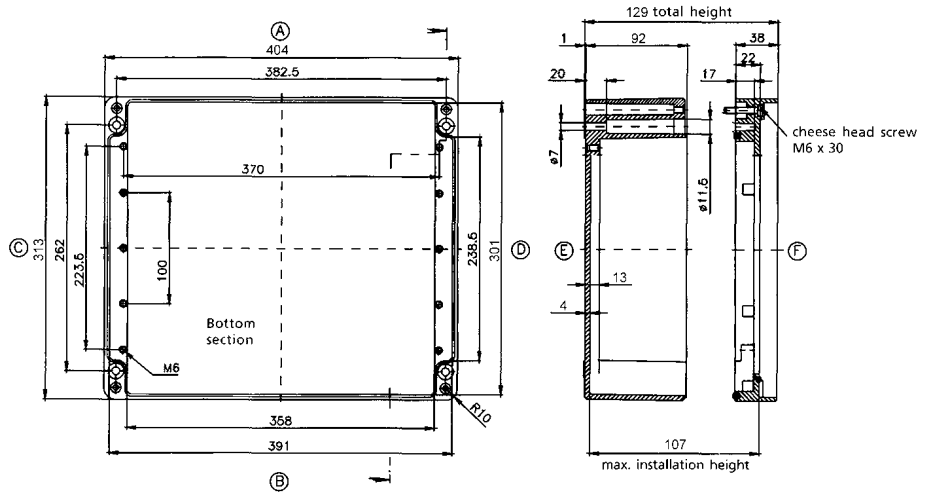
- 13200000 Machine Control Enclosure includes: painted diecast aluminum base, and bezel.

**Membrane Version**

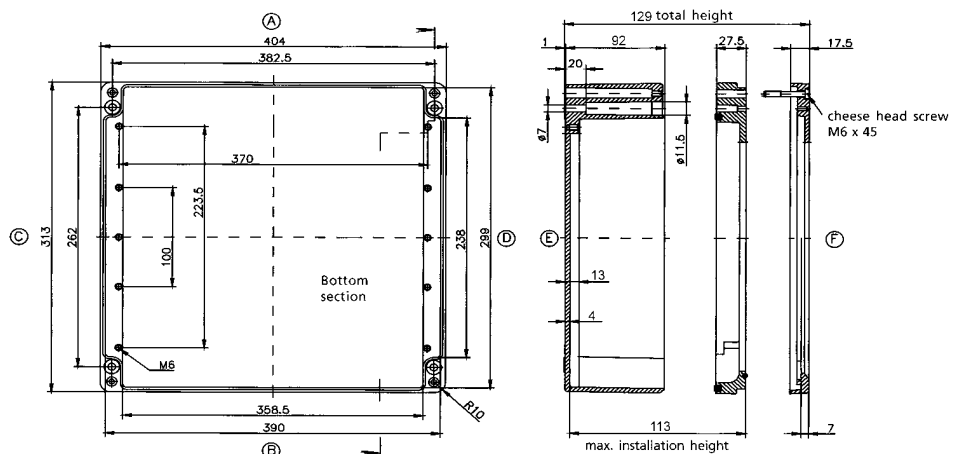
- 1320 Membrane style Machine Control Enclosure includes:
- 10013220 Aluminum front plate - 1F membrane;
- 01314011 85 Unpainted base for 1F membrane style;
- 13200500 20 Bezel designed for membrane front panel.

**Accessories**

- 10095071 Aluminum front plate.
- 10052101 External hinge, cast aluminum, 150° swing.
- 10052161 Internal hinge, stainless steel, 95° swing.
- 10052034 External wall-mount bracket.
- 10089131 Internal mounting plate.
- 10094452 Horizontal dual side handles.
- 10094456 Vertical dual side handles.
- 10094120 Horizontal ¾ wrap handle.
- 10094128 Vertical ¾ wrap handle.



**Membrane Version**



# 1300 Machine Control Enclosures

13210000 / 1321

External Dimensions: L400 x W310 x H199 mm

Page 7-2, 3

## Standard Features

- 13210000 Machine Control Enclosure includes: painted diecast aluminum base, and bezel.

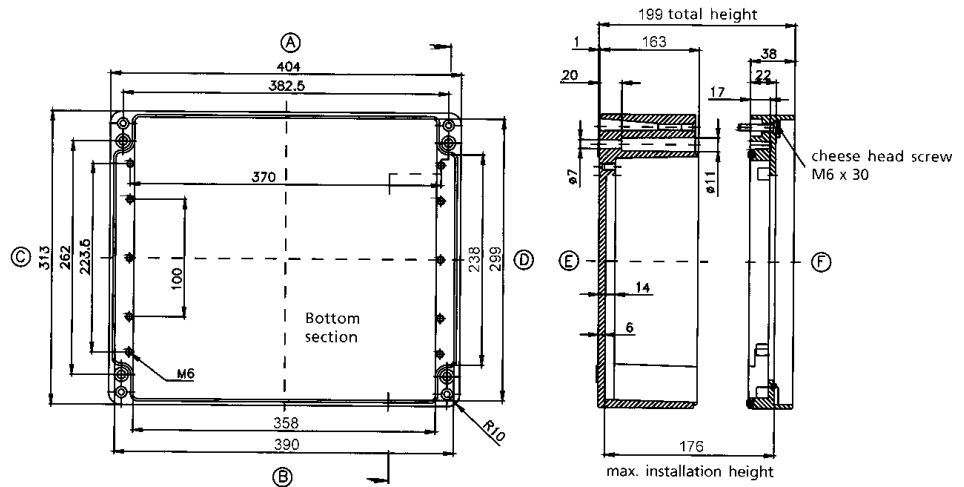
## Membrane Version

- 1321 Membrane style Machine Control Enclosure includes:
- 10013220 Aluminum front plate - 1F membrane;
- 01314018 85 Unpainted base for 1F membrane style;
- 13200500 20 Bezel designed for membrane front panel.

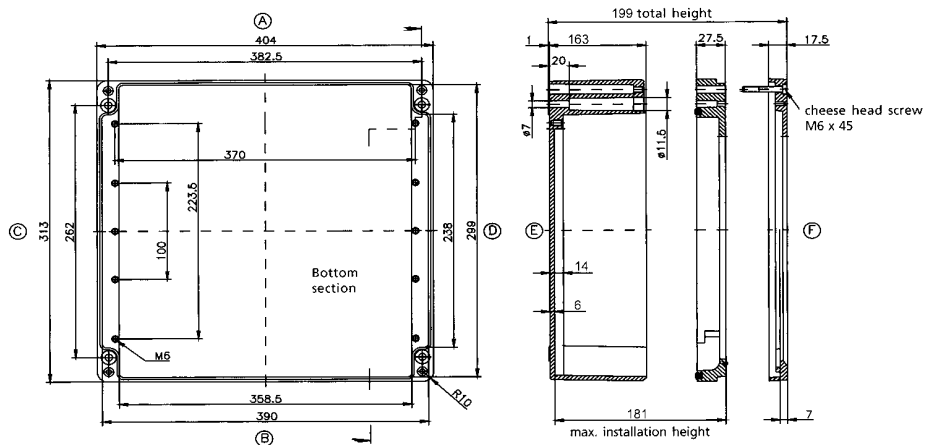
## Accessories

- 10095071 Aluminum front plate.
- 10052101 External hinge, cast aluminum, 150° swing.
- 10052161 Internal hinge, stainless steel, 95° swing.
- 10052034 External wall-mount bracket.
- 10089131 Internal mounting plate.
- 10094452 Horizontal dual side handles.
- 10094456 Vertical dual side handles.
- 10094120 Horizontal ¾ wrap handle.
- 10094128 Vertical ¾ wrap handle.

## Standard Version



## Membrane Version





**13230000 00**

**External Dimensions: L600 x W310 x H199 mm**

**Page 7-2**

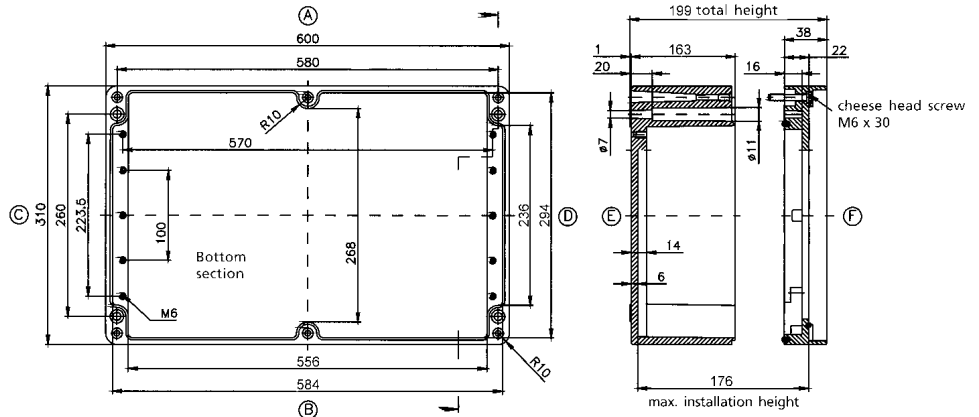
**Standard Features**

- **13230000** Machine Control Enclosure includes: painted diecast aluminum base, and bezel. Membrane style not available.

**Accessories**

- **10095072** Aluminum front plate.
- **10052101** External hinge, cast aluminum, 150° swing.
- **10052161** Internal hinge, stainless steel, 95° swing.
- **10052034** External wall-mount bracket.
- **10089123** Internal mounting plate.
- **10094452** Horizontal dual side handles.
- **10094458** Vertical dual side handles.
- **10094122** Horizontal ¾ wrap handle.
- **10094130** Vertical ¾ wrap handle.

**Standard Version**



**13240000**

**External Dimensions: L400 x W310 x H245 mm**

**Page 7-2**

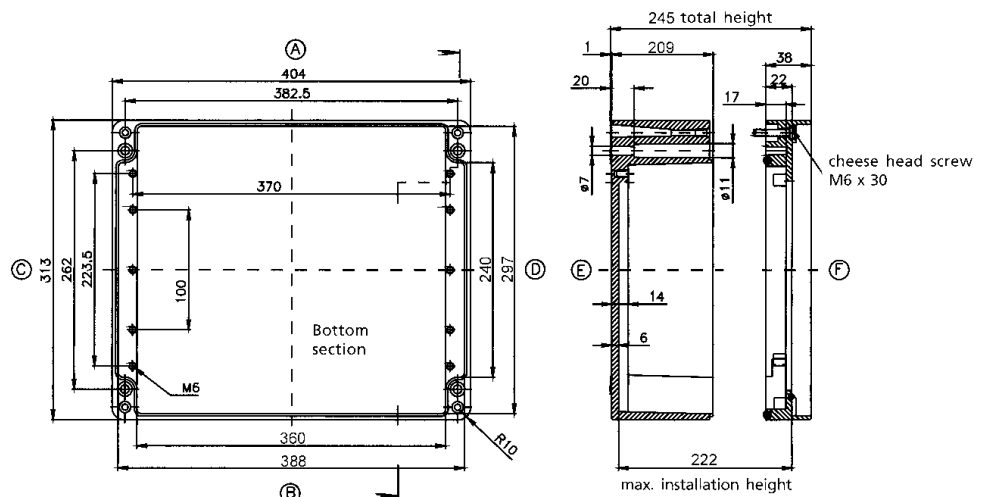
**Standard Features**

- **13240000** Machine Control Enclosure includes: painted diecast aluminum base, and bezel. Membrane style not included.

**Accessories**

- **10095071** Aluminum front plate.
- **10052101** External hinge, cast aluminum, 150° swing.
- **10052161** Internal hinge, stainless steel, 95° swing.
- **10052034** External wall-mount bracket
- **10089131** Internal mounting plate
- **10094452** Horizontal dual side handles
- **10094456** Vertical dual side handles
- **10094120** Horizontal ¾ wrap handle
- **10094128** Vertical ¾ wrap handle

**Standard Version**



*Dimensional Drawings*

# 1300 Machine Control Enclosures

13250000 / 1325

External Dimensions: L400 x W310 x H159 mm

Page 7-2, 3

## Standard Features

- 13250000 Machine Control Enclosure includes: painted diecast aluminum base, and bezel.

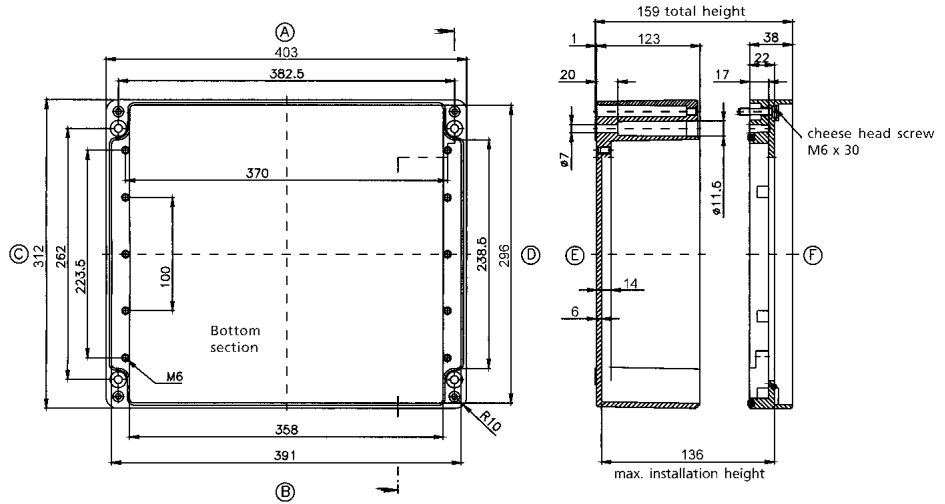
## Membrane Version

- 1325 Membrane style Machine Control Enclosure includes:
- 10095071 Aluminum front plate - 1F membrane;
- 01314014 85 Unpainted base for 1F membrane style;
- 13200500 20 Bezel designed for membrane front panel.

## Accessories

- 10095071 Aluminum front plate.
- 10052101 External hinge, cast aluminum, 150° swing.
- 10052161 Internal hinge, stainless steel, 95° swing.
- 10052034 External wall-mount bracket.
- 10089131 Internal mounting plate.
- 10094452 Horizontal dual side handles.
- 10094456 Vertical dual side handles.
- 10094120 Horizontal ¾ wrap handle.
- 10094128 Vertical ¾ wrap handle.

## Standard Version



## Membrane Version

