

8850
Support Systems
Product Drawings
Last Updated 1/6/2009

Dimensional Drawings

Rose+Bopla's 8850 Support System is the star of an ergonomic work place and is designed to support and provide easy operator interface for computers, peripherals, laboratory equipment and

The 8850 Support System

machine controls. A major feature of the system is the easily accessible cable duct which passes through the components. This conceals wiring and makes installation clean and simple.

Arms are available in different lengths for wall and machine attachment. All arm components provide pivoting movement. The large bearings in the joints need no maintenance and ensure easy mobility for many years.

Maximum Weight:

1.4 ft.	2.4 ft.	3.3 ft.
90 lbf.	67 lbf.	56 lbf.

lbf.=Pounds Force



▲ 8850 support system with wall arm and extruded aluminum support plate.

TECHNICAL DATA:

- Color: Arms are light gray, similar to RAL 7038. Plastic channel covers are dark gray, similar to RAL 7012. Supporting plates and keyboard trays are light gray.
- Finish: Powder coat on arms and keyboard holder
- Component Material and Features:
 - Swivel arms—Cast aluminum, alternatively swivel arm in cast steel.
 - Joints—Adjustable bearings and polyamide bearing rings. Swing adjustable.
 - Table plates—Laminated board
 - Keyboard holder—Cast aluminum with plastic hand rest.
- Cable duct: Free cable passage in system components, approximately 1.5 square inches.
- Special Feature: Ergonomic work place design



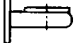
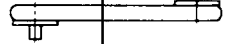

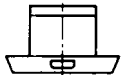
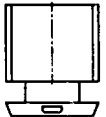
◀ Cables run through channels and joints



◀ Wall arm with support plate.



Keyboard Holder with ▶ integrated handrest

DESCRIPTION	PART NUMBER	POSITION	MATERIAL	WEIGHT	DRAWING PG.	
WALL ARM, 3.54"	88500109	Pivots 180°	Cast Aluminum	2.09 lbs.	17-260	
DOUBLE JOINT ARM, 13.31" *special lengths available	88500334	Pivots 180° and 280°	Cast Aluminum	5.07 lbs.	17-258	
SUPPORT PLATE BEARING	88500401	Pivots 180°	Cast Aluminum	1.10 lbs.	17-258	
KEYBOARD TRAY With pull-out rails Adjustable Keyboard Depth	88501900	Fixed	Cast Aluminum	4.5 lbs.	17-259	
SUPPORT PLATE with Side Handles and Fixed Keyboard Tray (14.96"x16.54")	88500738	Fixed	Veneered Wood/ Cast Aluminum	12.98 lbs.	17-259	

Note: Some components subject to availability. Call factory for minimum order quantities and availability.

Support Systems

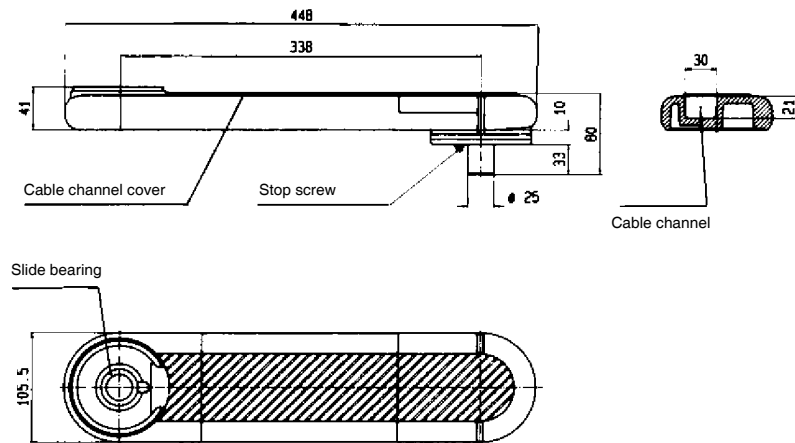
88500334

Page 9-4

Standard Features

- 88500334 Double Joint Arm, 13.31", cast aluminum (special lengths available), pivots 180° and 280°.

Double Joint Arm



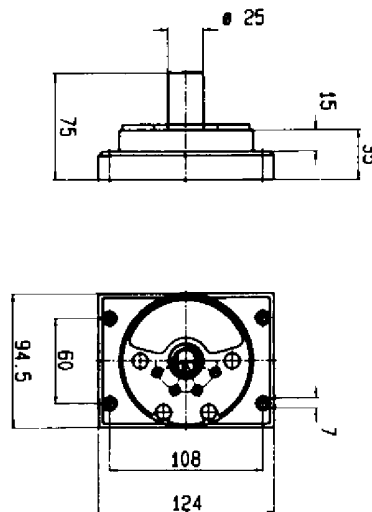
88500401

Page 9-4

Standard Features

- 88500401 Support Plate Bearing, cast aluminum, pivots 180°.

Support Plate Bearing



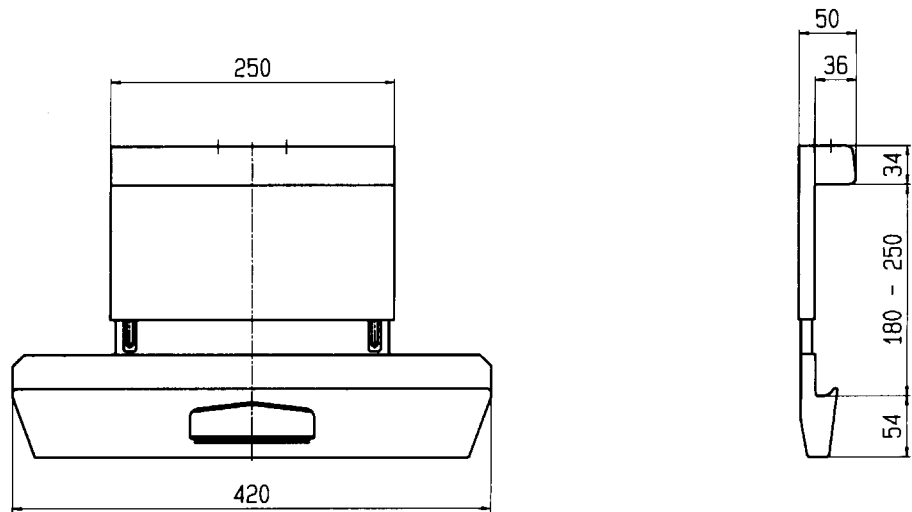
88501900

Page 9-4

Standard Features

- **88501900** Keyboard tray with pull-out rails. Adjustable keyboard depth, cast aluminum, fixed.

Keyboard Tray



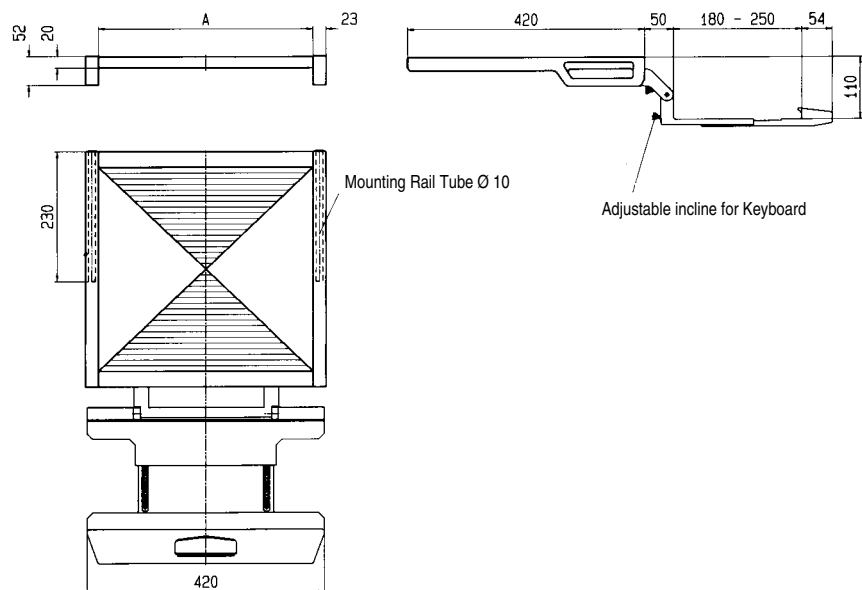
88500738

Page 9-4

Standard Features

- **88500738** Support Plate with side handles and fixed keyboard tray (14.96" x 16.54"), veneered wood / cast aluminum, fixed. (A=380mm)

Support Plates



Support Systems

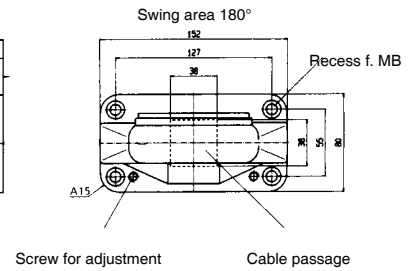
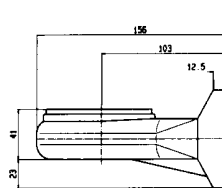
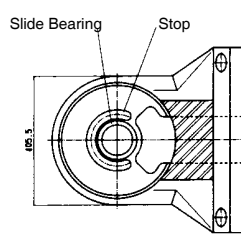
88500109

Page 9-4

Standard Features

- 88500109 Wall Arm, 3.54", cast aluminum, pivots 180°.

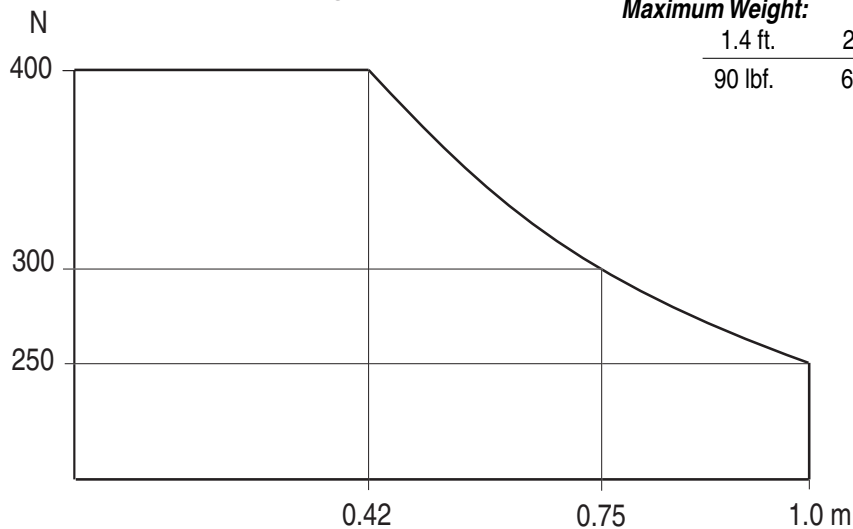
Wall Arm



8850 Load Diagram

Page 9-3

Load Diagram



Maximum Weight:

1.4 ft.	2.4 ft.	3.3 ft.
90 lbf.	67 lbf.	56 lbf.

lbf.=Pounds Force