



**ROSE+BOPLA**  
ENCLOSURES

A PHOENIX MECANO COMPANY

# **ABS Watertight ET Product Drawings Last Updated 1/6/2005**

Distributed by Electro-Stock, Inc.  
sales@electrostock.com  
630-682-1542 Fax 630-682-1562  
<http://www.electrostock.com>

The **ABS Watertight ET** enclosure is ideal for packaging high quality electronic instrumentation. These housings feature a stylish beveled edge lid design, a smooth high-polish finish and

## ABS Watertight ET Enclosures

molded edges. The aesthetic design of our ABS Watertight ET enclosure will enhance the marketability of your finished product. Plus, these enclosures have been designed to be completely recyclable and contain no pressed-in metal inserts.

The ABS Watertight ET consists of: an ABS base with plastic threads for lid screws, internal bosses in base for mounting terminals and printed circuit boards; an ABS lid with 4 captive, lid screws and internal bosses in the lid for mounting printed circuit boards; and a removable neoprene gasket. Optional Silicone or RFI gaskets, lid screw caps and external wall-mounting brackets and mounting plates are available. Rose+Bopla also offers a modified lid design with a raised border area for membrane key-pads.



ABS Watertight ET Enclosures					
Part Number	Length (Inches/mm)	Width (Inches/mm)	Height (Inches/mm)	Weight	Drawing Page #
ET 205 F	2.05 / 52	1.97 / 50	1.46 / 37	.08 lbs	17-65
ET 206 F	2.56 / 65	1.97 / 50	1.46 / 37	.10 lbs	17-66
ET 207 F/LP	3.23 / 82	2.36 / 60	2.24 / 57	.23 lbs	17-66
ET 208 F	3.86 / 98	2.52 / 64	1.50 / 38	.22 lbs	17-67
ET 210 F	3.23 / 82	3.15 / 80	2.24 / 57	.27 lbs	17-67
ET 212 F	3.94 / 100	3.94 / 100	2.24 / 57	.36 lbs	17-68
ET 213 F*	4.80 / 122	4.72 / 120	1.46 / 37	.36 lbs	17-68
ET 214 F/LP	7.87 / 200	4.72 / 120	2.24 / 57	.70 lbs	17-69
ET 215 F	4.72 / 120	3.15 / 80	2.24 / 57	.35 lbs	17-69
ET 217 F	4.80 / 122	4.72 / 120	2.24 / 57	.47 lbs	17-70
ET 218 F/LP	5.91 / 150	5.91 / 150	2.24 / 57	.65 lbs	17-70
ET 220 F	6.30 / 160	3.15 / 80	2.24 / 57	.44 lbs	17-71
ET 221 F*	7.87 / 200	4.72 / 120	3.03 / 77	.79 lbs	17-71
ET 223 F	7.87 / 200	5.91 / 150	3.03 / 77	.95 lbs	17-72
ET 224 F/LP	9.45 / 240	3.15 / 80	2.36 / 60	.64 lbs	17-72
ET 225 F*	3.23 / 82	3.15 / 80	3.43 / 87	.36 lbs	17-73
ET 227 F*	4.80 / 122	4.72 / 120	3.43 / 87	.60 lbs	17-73
ET 229 F*	6.30 / 160	3.15 / 80	1.46 / 37	.60 lbs	17-74
ET 231 F*	6.30 / 160	3.15 / 80	3.43 / 87	.57 lbs	17-74
ET 232 F*	7.87 / 200	5.91 / 150	1.46 / 37	.57 lbs	17-75
ET 233 F*	9.84 / 250	6.30 / 160	1.46 / 37	.57 lbs	17-75
ET 236 F/LP	9.45 / 240	3.15 / 80	3.15 / 80	.80 lbs	17-76
ET 237 F*	7.87 / 200	4.72 / 120	3.62 / 92	.92 lbs	17-76
ET 238 F*	6.30 / 160	4.72 / 120	3.62 / 92	.78 lbs	17-77
ET 239 F*	9.84 / 250	6.30 / 160	2.24 / 57	1.05 lbs	17-77
ET 240 F*	9.84 / 250	6.30 / 160	3.62 / 92	1.30 lbs	17-78
ET 241 F*	9.84 / 250	6.30 / 160	4.80 / 122	1.59 lbs	17-78
ET 242 F*	9.45 / 240	4.72 / 120	4.02 / 102	1.14 lbs	17-79
ET 247 F/LP	11.81/300	6.30 / 160	4.72 / 120	1.81 lbs	17-79

\*Non-stock items, special order, minimum 500 pieces.

### TECHNICAL DATA:

- Color: Light Gray similar to RAL 7035 with a high-gloss finish.
- Material: ABS. See ABS specification sheets in the Technical Information Chapter.
- Protection Classifications:  
NEMA Types: up to Nema 12  
IP 65, EN 60529
- Gasket Temperature Range:  
Neoprene Gasket -40°F to +212°F  
Silicone Gasket -76°F to +266°F  
RFI Gasket -40°F to +392°F
- Captive lid screws.
- Flammability: UL 94 HB / 1.6.
- Surface resistance: >10<sup>14</sup> Ohm to DIN 53482.
- Disruptive Strength: 17 KV / mm to DIN 53481.

Note: Dimensions are external. Metric is the primary dimension. Inch conversions and weights are for the user's convenience and are for reference only. Accessories shown on drawing page.

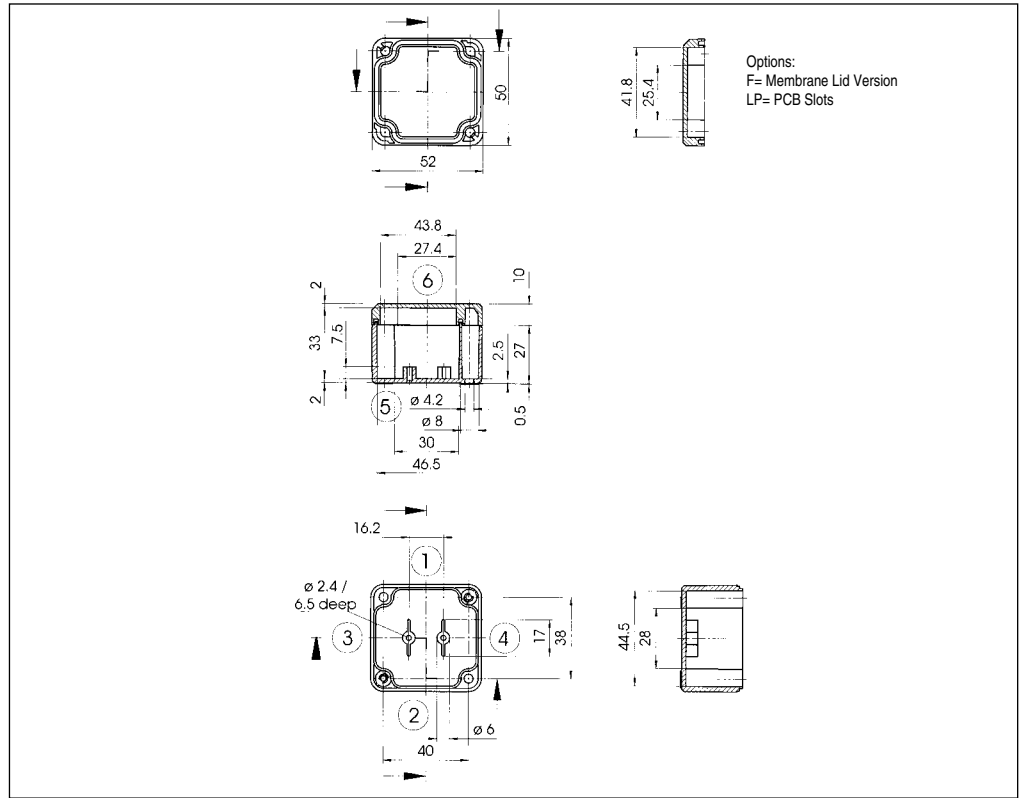
- Membrane Lid versions- All sizes available with Membrane Lid feature. Add F to end of part number.
- PCB Slots- Slots for PCBs in base available for ET 207, ET 214, ET 218, ET 224, ET 236, ET 247. Add LP to end of part number

**EM/ET 205**

**External Dimensions: L52 x W50 x H37 mm**

**Page 1-17, 23**

Standard Features
<ul style="list-style-type: none"> <li>• 10093000 00 Lid Screws</li> <li>• 10082002 00 Removable 2.7mm Neoprene Gasket (8.03" length)</li> </ul>
Accessories
<ul style="list-style-type: none"> <li>• 10019193 00 Lid Screw caps.</li> <li>• 10082013 00 3.3mm Silicone gasket.</li> <li>• 10082021 00 2.62mm RFI Gasket (8.03" length).</li> <li>• 10094111 00 Table feet.</li> <li>• 10019503 00 Mounting Plate.</li> <li>• 10039139 00 Wall Bracket.</li> <li>• 10096217 00 M3x8 Self tapping screw for mounting plate.</li> </ul>
Membrane Lid Detail
<p>Side view dimensions: 10, 27.1 (+0.2 / -0.1)</p> <p>Top view dimensions: 40.1 (+0.2 / -0.1)</p>



# Polycarbonate/ABS Watertight

Distributed by Electro-Stock, Inc. sales@electrostock.com  
 630-682-1542 Fax 630-682-1562 http://www.electrostock.com

**EM/ET 206** External Dimensions: L65 x W50 x H37 mm **Page 1-17, 23**

Standard Features
<ul style="list-style-type: none"> <li>• 10093000 00 Lid Screws.</li> <li>• 10082002 00 Removable 2.7mm Neoprene Gasket (9.06" length).</li> </ul>
Accessories
<ul style="list-style-type: none"> <li>• 10019193 00 Lid Screw caps.</li> <li>• 10082013 00 3.3mm Silicone gasket.</li> <li>• 10082021 00 2.62mm RFI Gasket (9.06" length).</li> <li>• 10094111 00 Table feet.</li> <li>• 10019603 00 Mounting Plate.</li> <li>• 10039139 00 Wall Bracket.</li> <li>• 10096217 00 M3x8mm Self tapping screw for mounting plate.</li> </ul>
Membrane Lid Detail
<p>Side view dimensions: 10, 40.1 (+0.2/-0.1)</p> <p>Top view dimensions: 40.1 (+0.2/-0.1)</p>

Options:  
 F= Membrane Lid Version  
 LP= PCB Slots

External dimensions: L65 x W50 x H37 mm

Top view dimensions: 65, 50, 56.8, 40.4, 6, 2.5, 10, 3, 27, 0.5, 43, 59.5, 5, 4.2, 8

Side view dimensions: 41.8, 25.4

Bottom view dimensions: 53, 16.2, 27, 37.8, 2.7, 16.2, 38, 3, 4, 2, 6, 2.4 / 9 deep, 10, 44.5, 28

**EM/ET 207** External Dimensions: L82 x W60 x H57 mm **Page 1-17, 23**

Standard Features
<ul style="list-style-type: none"> <li>• 10093000 00 Lid Screws.</li> <li>• 10082002 00 Removable 2.7mm Neoprene Gasket (11.18" length).</li> </ul>
Accessories
<ul style="list-style-type: none"> <li>• 10019193 00 Lid Screw caps.</li> <li>• 10082013 00 3.3mm Silicone gasket.</li> <li>• 10082021 00 2.62mm RFI Gasket (11.18" length).</li> <li>• 10094111 00 Table feet.</li> <li>• 10019806 00 Mounting Plate.</li> <li>• 10039139 00 Wall Bracket.</li> <li>• 10096217 00 M3x8mm Self tapping screw for mounting plate.</li> </ul>
Membrane Lid Detail
<p>Side view dimensions: 15, 54.1 (+0.3/-0.2)</p> <p>Top view dimensions: 50.1 (+0.1)</p>

Options:  
 F= Membrane Lid Version  
 LP= PCB Slots

External dimensions: L82 x W60 x H57 mm

Top view dimensions: 82, 60, 72.7, 53.9, 6, 40, 2, 3, 9, 15, 3.5, 42, 0.5, 56.5, 75.3, 5, 4.2, 8, 6

Side view dimensions: 60.7, 22.9, 18.4, 9

Bottom view dimensions: 70, 18.9, 16.2, 37.8, 27, 2.4 / 7.5 deep, 15, 22.2, 30, 40, 2.4 / 5 deep, 2, 6, 2.4 / 8.5 deep, 3, 1, 4, 2, 6, 2.4 / 7.5 deep, 18.4, 53.3, 25.5, 6.5, 2.4 / 2, 10, 14



# Polycarbonate/ABS Watertight

Distributed by Electro-Stock, Inc. sales@electrostock.com  
630-682-1542 Fax 630-682-1562 http://www.electrostock.com

## EM/ET 212 External Dimensions: L100 x W100 x H57 mm Page 1-17, 23

Standard Features
<ul style="list-style-type: none"> <li>• 10093000 00 Lid Screws.</li> <li>• 10082002 00 Removable 2.7mm Neoprene Gasket (15.75" length).</li> </ul>
Accessories
<ul style="list-style-type: none"> <li>• 10019193 00 Lid Screw caps.</li> <li>• 10082013 00 3.3mm Silicone gasket.</li> <li>• 10082021 00 2.62mm RFI Gasket (9.06" length).</li> <li>• 10094111 00 Table feet.</li> <li>• 10019006 00 Mounting Plate.</li> <li>• 10039139 00 Wall Bracket.</li> <li>• 10096217 00 M3x8mm Self tapping screw for mounting plate.</li> </ul>
Membrane Lid Detail
<p>Side view dimensions: 15, 72.1<sup>+0.3</sup>/<sub>-0.2</sub></p> <p>Top view dimensions: 90.1<sup>+0.2</sup></p>

Options:  
F= Membrane Lid Version  
LP= PCB Slots

## EM/ET 213 External Dimensions: L122 x W120 x H37 mm Page 1-17, 23

Standard Features
<ul style="list-style-type: none"> <li>• 10093000 00 Lid Screws.</li> <li>• 10082002 00 Removable 2.7mm Neoprene Gasket (11.18" length).</li> </ul>
Accessories
<ul style="list-style-type: none"> <li>• 10019193 00 Lid Screw caps.</li> <li>• 10082013 00 3.3mm Silicone gasket.</li> <li>• 10082021 00 2.62mm RFI Gasket (9.06" length).</li> <li>• 10094111 00 Table feet.</li> <li>• 10039139 00 Wall bracket.</li> </ul>
Membrane Lid Detail
<p>Side view dimensions: 15, 94.1<sup>+0.5</sup>/<sub>-0.4</sub></p> <p>Top view dimensions: 110.1<sup>+0.5</sup></p>

Options:  
F= Membrane Lid Version  
LP= PCB Slots  
EM 213 is a special order.  
Minimum order 500+.

**EM/ET 214**

External Dimensions: L200 x W120 x H57 mm

Page 1-17, 23

<p><b>Standard Features</b></p> <ul style="list-style-type: none"> <li>• 10093000 00 Lid Screws.</li> <li>• 10082002 00 Removable 2.7mm Neoprene Gasket (11.18" length).</li> </ul>
<p><b>Accessories</b></p> <ul style="list-style-type: none"> <li>• 10019193 00 Lid Screw caps.</li> <li>• 10082013 00 3.3mm Silicone gasket.</li> <li>• 10082021 00 2.62mm RFI Gasket (9.06" length).</li> <li>• 10094111 00 Table feet.</li> <li>• 10019603 00 Mounting Plate.</li> <li>• 10039139 00 Wall Bracket.</li> <li>• 10096217 00 M3x8mm Self tapping screw for mounting plate.</li> </ul>
<p><b>Membrane Lid Detail</b></p>

Options:  
 F= Membrane Lid Version  
 LP= PCB Slots

**EM/ET 215**

External Dimensions: L120 x W80 x H57 mm

Page 1-17, 23

<p><b>Standard Features</b></p> <ul style="list-style-type: none"> <li>• 10093000 00 Lid Screws.</li> <li>• 10082002 00 Removable 2.7mm Neoprene Gasket (15.75" length).</li> </ul>
<p><b>Accessories</b></p> <ul style="list-style-type: none"> <li>• 10019193 00 Lid Screw caps.</li> <li>• 10082013 00 3.3mm Silicone gasket.</li> <li>• 10082021 00 2.62mm RFI Gasket (15.75" length).</li> <li>• 10094111 00 Table feet.</li> <li>• 10019206 00 Mounting Plate.</li> <li>• 10039139 00 Wall Bracket.</li> <li>• 10096217 00 M3x8 Self tapping screw for mounting plate.</li> </ul>
<p><b>Membrane Lid Detail</b></p>

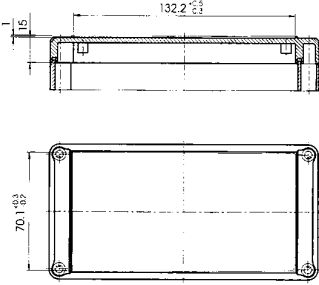
Options:  
 F= Membrane Lid Version  
 LP= PCB Slots

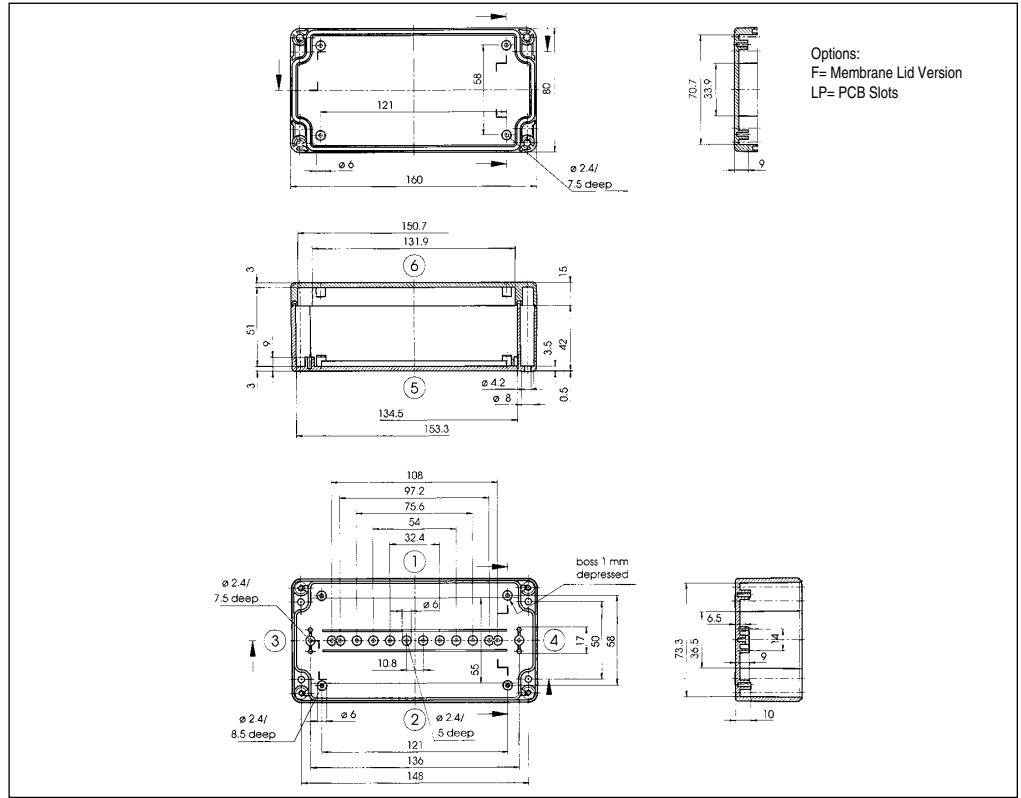


**EM/ET 220**

External Dimensions: L160 x W80 x H57 mm

Page 1-17, 23

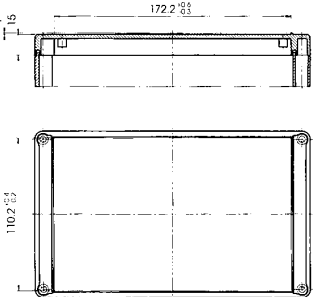
Standard Features
<ul style="list-style-type: none"> <li>• 10093000 00 Lid Screws.</li> <li>• 10082002 00 Removable 2.7mm Neoprene Gasket (18.9" length).</li> </ul>
Accessories
<ul style="list-style-type: none"> <li>• 10019193 00 Lid Screw caps.</li> <li>• 10082013 00 3.3mm Silicone gasket.</li> <li>• 10082021 00 2.62mm RFI Gasket (18.9" length).</li> <li>• 10094111 00 Table feet.</li> <li>• 10039139 00 Wall Bracket.</li> <li>• 10019608 00 Mounting plate.</li> <li>• 10096217 00 Self tapping screw for mounting plate.</li> </ul>
Membrane Lid Detail


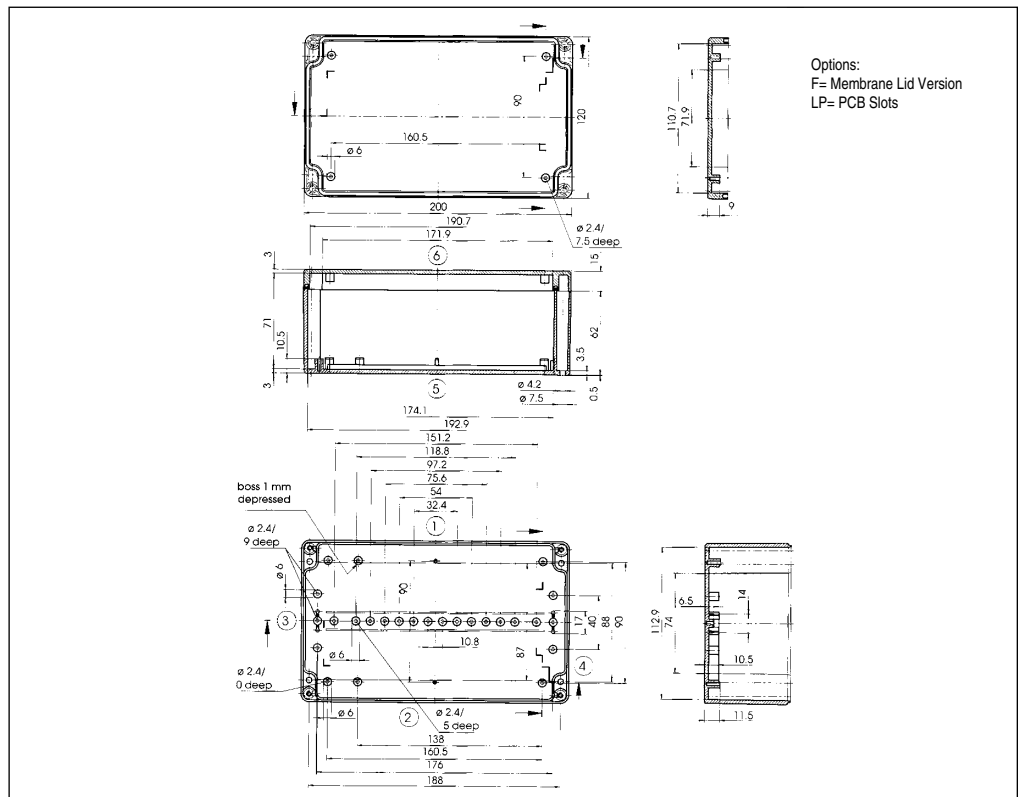


**EM/ET 221**

External Dimensions: L200 x W120 x H77 mm

Page 1-17, 23

Standard Features
<ul style="list-style-type: none"> <li>• 10093000 00 Lid Screws.</li> <li>• 10082002 00 Removable 2.7mm Neoprene Gasket (25.2" length).</li> </ul>
Accessories
<ul style="list-style-type: none"> <li>• 10019193 00 Lid Screw caps.</li> <li>• 10082013 00 3.3mm Silicone gasket.</li> <li>• 10082021 00 2.62mm RFI Gasket (18.9" length).</li> <li>• 10094111 00 Table feet.</li> <li>• 10039139 00 Wall Bracket.</li> <li>• 10096217 00 Self tapping screw for mounting plate.</li> <li>• 10019608 00 Mounting plate.</li> </ul>
Membrane Lid Detail




# Polycarbonate/ABS Watertight

Distributed by Electro-Stock, Inc. sales@electrostock.com  
630-682-1542 Fax 630-682-1562 http://www.electrostock.com

## EM/ET 223

External Dimensions: L200 x W150 x H77 mm

Page 1-17, 23

Standard Features
<ul style="list-style-type: none"> <li>• 10093000 00 Lid Screws.</li> <li>• 10082002 00 Removable 2.7mm Neoprene Gasket (18.9" length).</li> </ul>
Accessories
<ul style="list-style-type: none"> <li>• 10019193 00 Lid Screw caps.</li> <li>• 10082013 00 3.3mm Silicone gasket.</li> <li>• 10082021 00 2.62mm RFI Gasket (18.9" length).</li> <li>• 10094111 00 Table feet.</li> <li>• 10039139 00 Wall Bracket.</li> <li>• 10096217 00 Self tapping screw for mounting plate.</li> <li>• 22000800 Mounting plate.</li> </ul>
Membrane Lid Detail

Options:  
F= Membrane Lid Version  
LP= PCB Slots

## EM/ET 224

External Dimensions: L240 x W80 x H60 mm

Page 1-17, 23

Standard Features
<ul style="list-style-type: none"> <li>• 10093000 00 Lid Screws.</li> <li>• 10082002 00 Removable 2.7mm Neoprene Gasket (18.9" length).</li> </ul>
Accessories
<ul style="list-style-type: none"> <li>• 10019193 00 Lid Screw caps.</li> <li>• 10082013 00 3.3mm Silicone gasket.</li> <li>• 10082021 00 2.62mm RFI Gasket (18.9" length).</li> <li>• 10094111 00 Table feet.</li> <li>• 10039139 00 Wall Bracket.</li> <li>• 10096217 00 Self tapping screw for mounting plate.</li> <li>• 22224001 Mounting plate.</li> </ul>
Membrane Lid Detail

Options:  
F= Membrane Lid Version  
LP= PCB Slots

**EM/ET 225** External Dimensions: L82 x W80 x H87 mm Page 1-17, 23

<p><b>Standard Features</b></p> <ul style="list-style-type: none"> <li>• 10093000 00 M4x62 Stainless steel captive combo head lid screws.</li> <li>• 10082002 00 Removable 2.7mm Neoprene Gasket (8.03" length).</li> </ul>
<p><b>Accessories</b></p> <ul style="list-style-type: none"> <li>• 10019193 00 Lid Screw caps.</li> <li>• 10082013 00 3.3mm Silicone gasket.</li> <li>• 10082021 00 2.62mm RFI Gasket (8.03" length).</li> <li>• 10094111 00 Table feet.</li> <li>• 10039139 00 Wall Bracket.</li> <li>• 10019086 00 Mounting plate.</li> <li>• 10096217 00 Self tapping screw for mounting plate.</li> </ul>
<p><b>Membrane Lid Detail</b></p> <p>Side view dimensions: 15, 54.1 (+0.3/-0.2)</p> <p>Top view dimensions: 70.1 (+0.2)</p>

Options:  
 F= Membrane Lid Version  
 LP= PCB Slots

**EM/ET 227** External Dimensions: L122 x W120 x H87 mm Page 1-17, 23

<p><b>Standard Features</b></p> <ul style="list-style-type: none"> <li>• 10093000 00 M4x62 Stainless steel captive combo head lid screws.</li> <li>• 10082002 00 Removable 2.7mm Neoprene Gasket (8.03" length).</li> </ul>
<p><b>Accessories</b></p> <ul style="list-style-type: none"> <li>• 10019193 00 Lid Screw caps.</li> <li>• 10082013 00 3.3mm Silicone gasket.</li> <li>• 10082021 00 2.62mm RFI Gasket (8.03" length).</li> <li>• 10094111 00 Table feet.</li> <li>• 10039139 00 Wall bracket.</li> <li>• 22000500 Mounting plate.</li> <li>• 10096217 00 Self tapping screw for mounting plate.</li> </ul>
<p><b>Membrane Lid Detail</b></p> <p>Side view dimensions: 15, 94.1 (+0.4/-0.2)</p> <p>Top view dimensions: 110.1 (+0.2)</p>

Options:  
 F= Membrane Lid Version  
 LP= PCB Slots

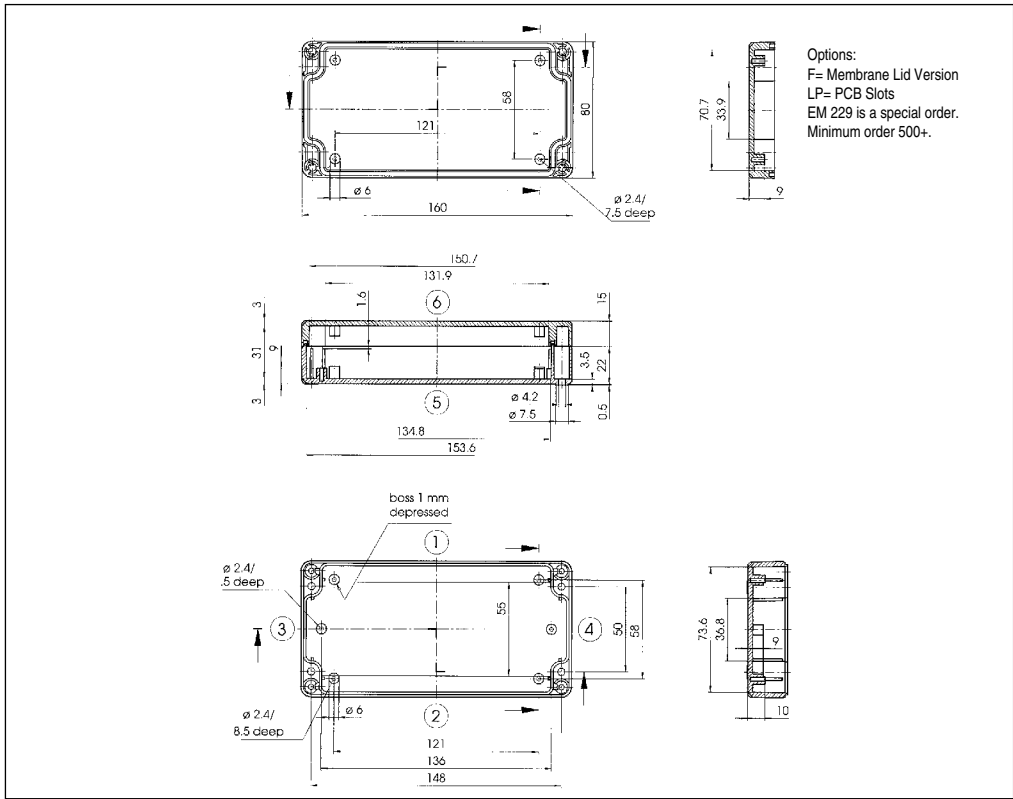
Dimensional Drawings

# Polycarbonate/ABS Watertight

Distributed by Electro-Stock, Inc. sales@electrostock.com  
 630-682-1542 Fax 630-682-1562 http://www.electrostock.com

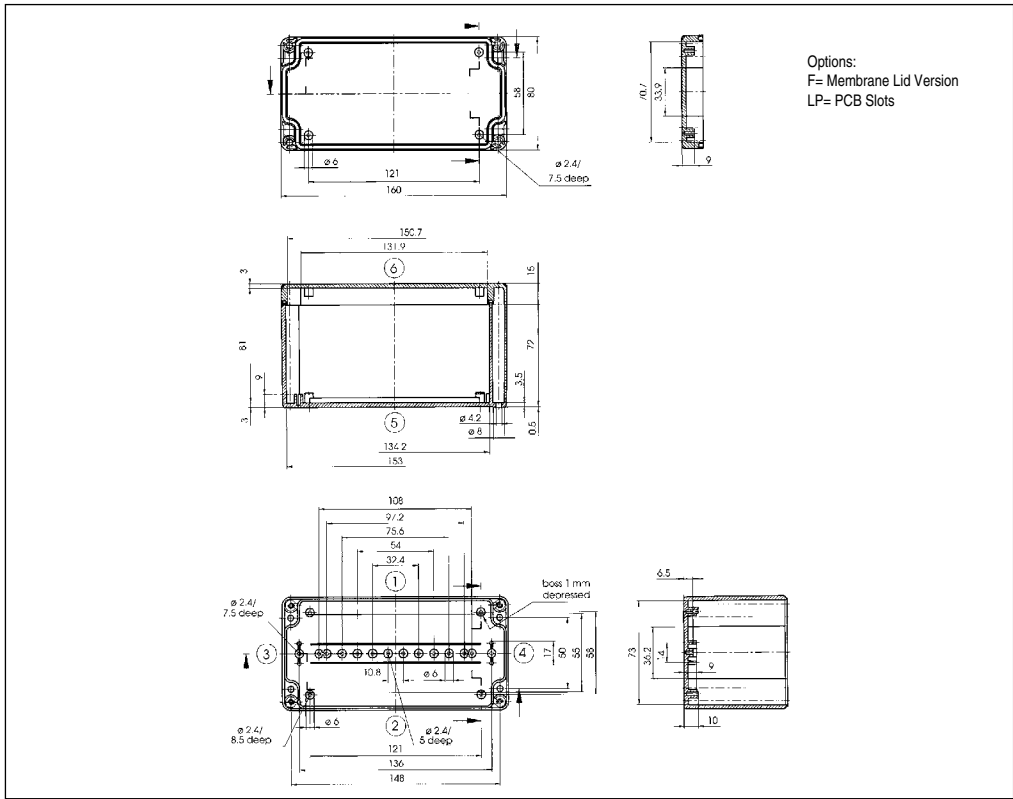
**EM/ET 229** External Dimensions: L160 x W80 x H37 mm **Page 1-17, 23**

<p><b>Standard Features</b></p> <ul style="list-style-type: none"> <li>• 10093000 00 M4x62 Stainless steel captive combo head lid screws.</li> <li>• 10082002 00 Removable 2.7mm Neoprene Gasket (8.03" length).</li> </ul>
<p><b>Accessories</b></p> <ul style="list-style-type: none"> <li>• 10019193 00 Lid Screw caps.</li> <li>• 10082013 00 3.3mm Silicone gasket.</li> <li>• 10082021 00 2.62mm RFI Gasket (8.03" length).</li> <li>• 10094111 00 Table feet.</li> <li>• 10039139 00 Wall bracket.</li> </ul>
<p><b>Membrane Lid Detail</b></p>



**EM/ET 231** External Dimensions: L160 x W80 x H87 mm **Page 1-17, 23**

<p><b>Standard Features</b></p> <ul style="list-style-type: none"> <li>• 10093000 00 M4x62 Stainless steel captive combo head lid screws.</li> <li>• 10082002 00 Removable 2.7mm Neoprene Gasket (8.03" length).</li> </ul>
<p><b>Accessories</b></p> <ul style="list-style-type: none"> <li>• 10019193 00 Lid Screw caps.</li> <li>• 10082013 00 3.3mm Silicone gasket.</li> <li>• 10082021 00 2.62mm RFI Gasket (8.03" length).</li> <li>• 10094111 00 Table feet.</li> <li>• 10039139 00 Wall bracket.</li> <li>• 10019606 00 Mounting plate.</li> <li>• 10096217 00 M3x8mm Self tapping screw for mounting plate.</li> </ul>
<p><b>Membrane Lid Detail</b></p>

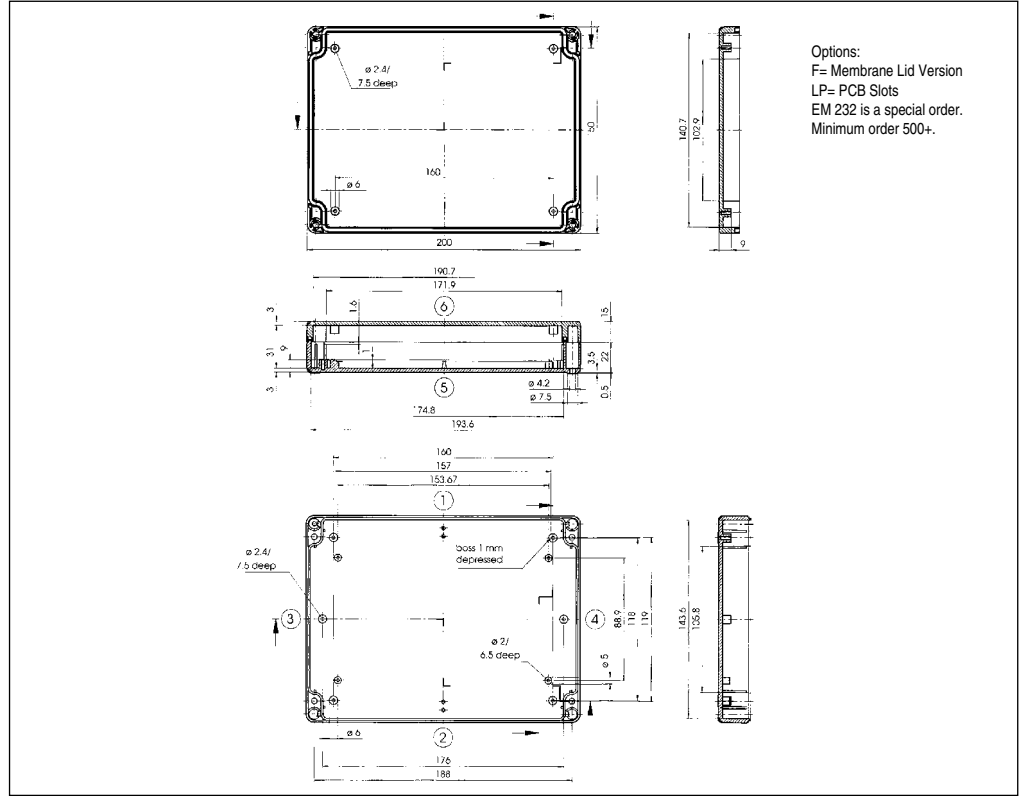


**EM/ET 232**

External Dimensions: L200 x W150 x H37 mm

Page 1-17, 23

<p><b>Standard Features</b></p> <ul style="list-style-type: none"> <li>• 10093000 00 M4x62 Stainless steel captive combo head lid screws.</li> <li>• 10082002 00 Removable 2.7mm Neoprene Gasket (8.03" length)</li> </ul>
<p><b>Accessories</b></p> <ul style="list-style-type: none"> <li>• 10019193 00 Lid Screw caps</li> <li>• 10082013 00 3.3mm Silicone gasket</li> <li>• 10082021 00 2.62mm RFI Gasket (8.03" length)</li> <li>• 10094111 00 Table feet</li> <li>• 10039139 00 Wall bracket</li> <li>• 10096217 00 M3x8mm Self tapping screw for mounting plate.</li> </ul>
<p><b>Membrane Lid Detail</b></p>

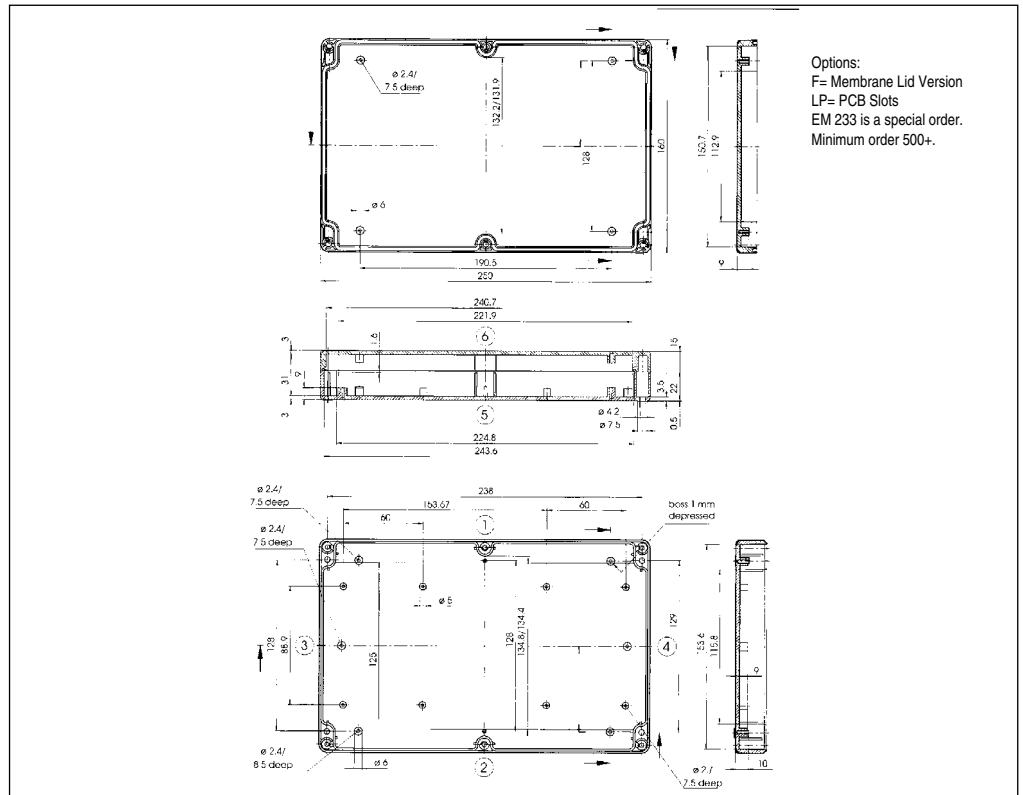


**EM/ET 233**

External Dimensions: L250 x W160 x H37 mm

Page 1-17, 23

<p><b>Standard Features</b></p> <ul style="list-style-type: none"> <li>• 10093000 00 M4x62 Stainless steel captive combo head lid screws</li> <li>• 10082002 00 Removable 2.7mm Neoprene Gasket (8.03" length)</li> </ul>
<p><b>Accessories</b></p> <ul style="list-style-type: none"> <li>• 10019193 00 Lid Screw caps</li> <li>• 10082013 00 3.3mm Silicone gasket</li> <li>• 10082021 00 2.62mm RFI Gasket (8.03" length)</li> <li>• 10094111 00 Table feet</li> <li>• 10039139 00 Wall bracket</li> <li>• 10096217 00 M3x8mm Self tapping screw for mounting plate.</li> </ul>
<p><b>Membrane Lid Detail</b></p>





**EM/ET 238**

External Dimensions: L160 x W120 x H92 mm

Page 1-17, 23

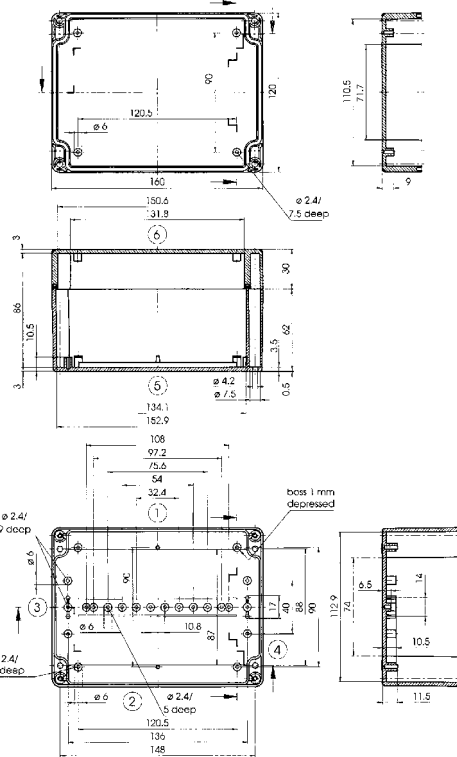
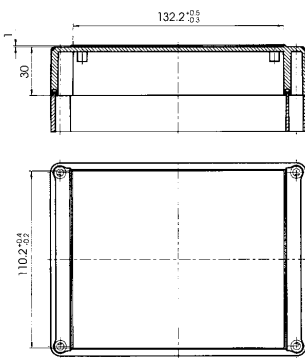
**Standard Features**

- 10093000 00 M4x62 Stainless steel captive combo head lid screws.
- 10082002 00 Removable 2.7mm Neoprene Gasket (8.03" length).

**Accessories**

- 10019193 00 Lid Screw caps.
- 10082013 00 3.3mm Silicone gasket.
- 10082021 00 2.62mm RFI Gasket (8.03" length).
- 10094111 00 Table feet.
- 10039139 00 Wall bracket.
- 22001100 Mounting plate.
- 10096217 00 Self tapping screw for mounting plate.

**Membrane Lid Detail**



Options:  
 F= Membrane Lid Version  
 LP= PCB Slots  
 EM 238 is a special order.  
 Minimum order 500+.

**EM/ET 239**

External Dimensions: L250 x W160 x H57 mm

Page 1-17, 23

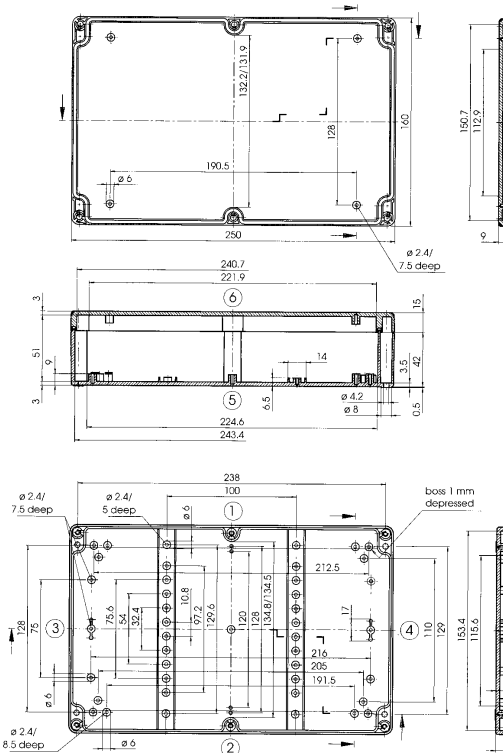
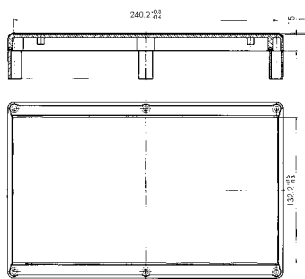
**Standard Features**

- 10093000 00 M4x62 Stainless steel captive combo head lid screws.
- 10082002 00 Removable 2.7mm Neoprene Gasket (8.03" length).

**Accessories**

- 10019193 00 Lid Screw caps.
- 10082013 00 3.3mm Silicone gasket.
- 10082021 00 2.62mm RFI Gasket (8.03" length).
- 10094111 00 Table feet.
- 10039139 00 Wall bracket.
- 22000900 Mounting plate.
- 10096217 00 M3x8 Self tapping screw for mounting plate.

**Membrane Lid Detail**



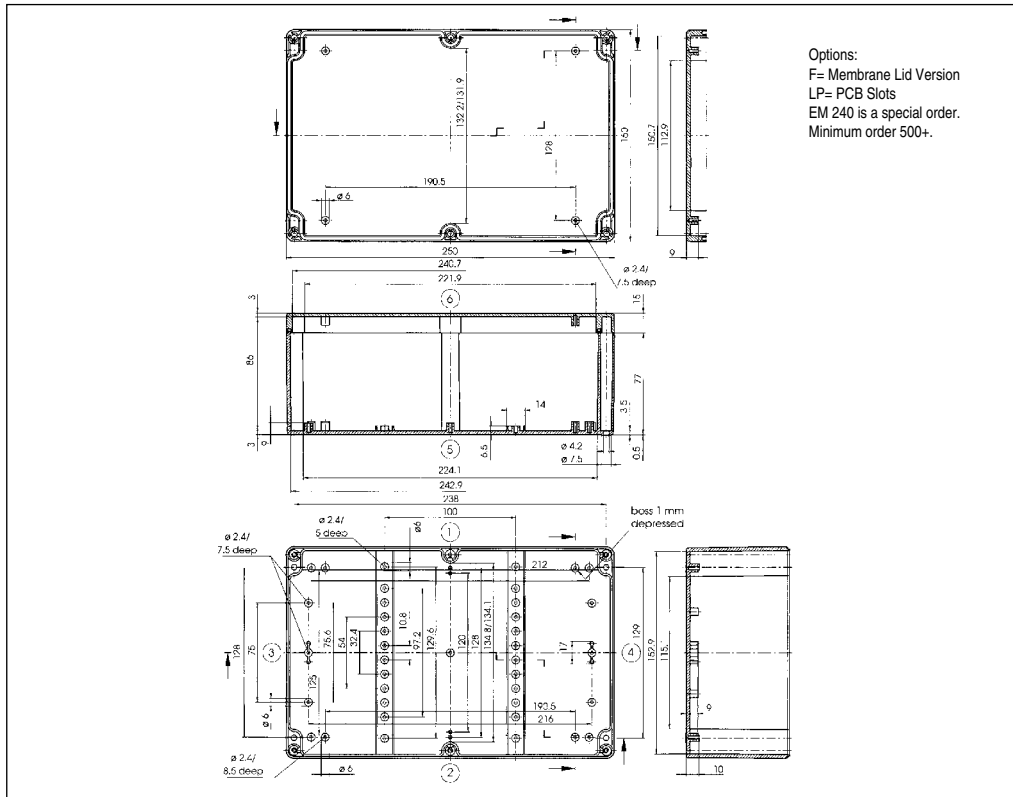
Options:  
 F= Membrane Lid Version  
 LP= PCB Slots  
 EM 239 is a special order.  
 Minimum order 500+.

# Polycarbonate/ABS Watertight

Distributed by Electro-Stock, Inc. sales@electrostock.com  
 630-682-1542 Fax 630-682-1562 http://www.electrostock.com

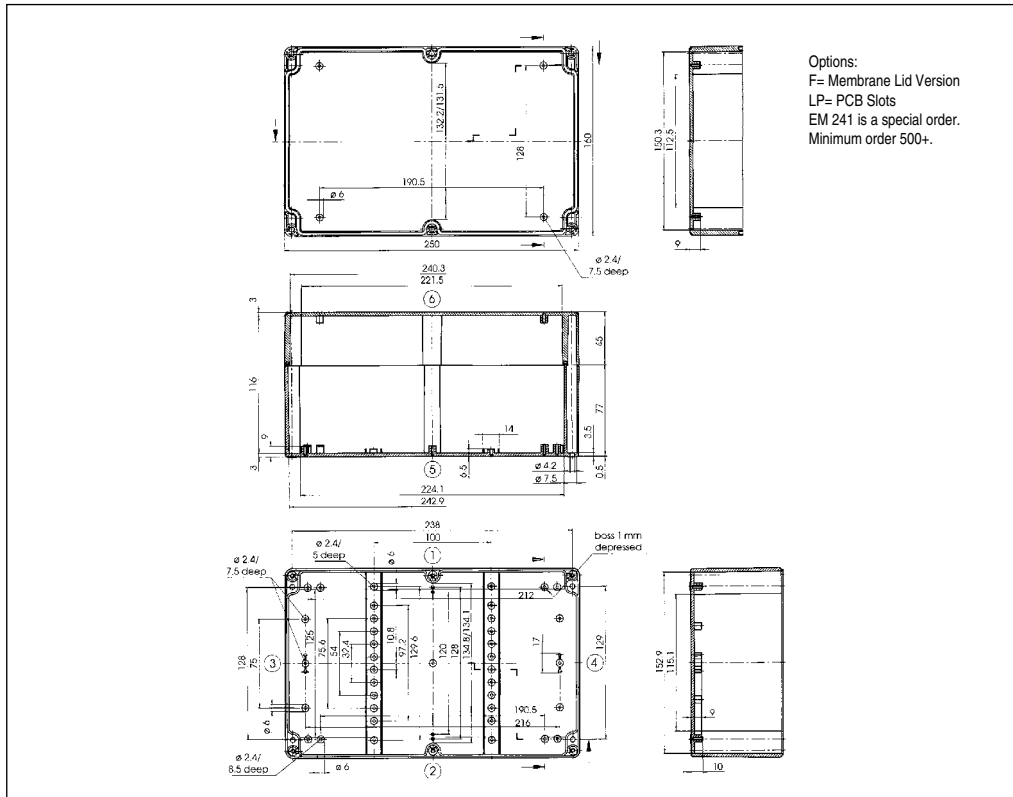
**EM/ET 240** External Dimensions: L250 x W160 x H92 mm Page 1-17, 23

Standard Features
<ul style="list-style-type: none"> <li>• 10093000 00 M4x62 Stainless steel captive combo head lid screws.</li> <li>• 10082002 00 Removable 2.7mm Neoprene Gasket (8.03" length).</li> </ul>
Accessories
<ul style="list-style-type: none"> <li>• 10019193 00 Lid Screw caps.</li> <li>• 10082013 00 3.3mm Silicone gasket.</li> <li>• 10082021 00 2.62mm RFI Gasket (8.03" length).</li> <li>• 10094111 00 Table feet.</li> <li>• 10039139 00 Wall bracket.</li> <li>• 22000900 Mounting plate.</li> <li>• 10096217 00 Self tapping screw for mounting plate.</li> </ul>
Membrane Lid Detail



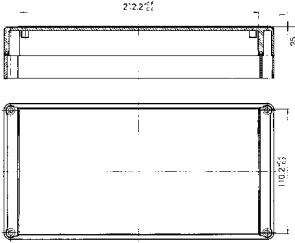
**EM/ET 241** External Dimensions: L250 x W160 x H122 mm Page 1-17, 23

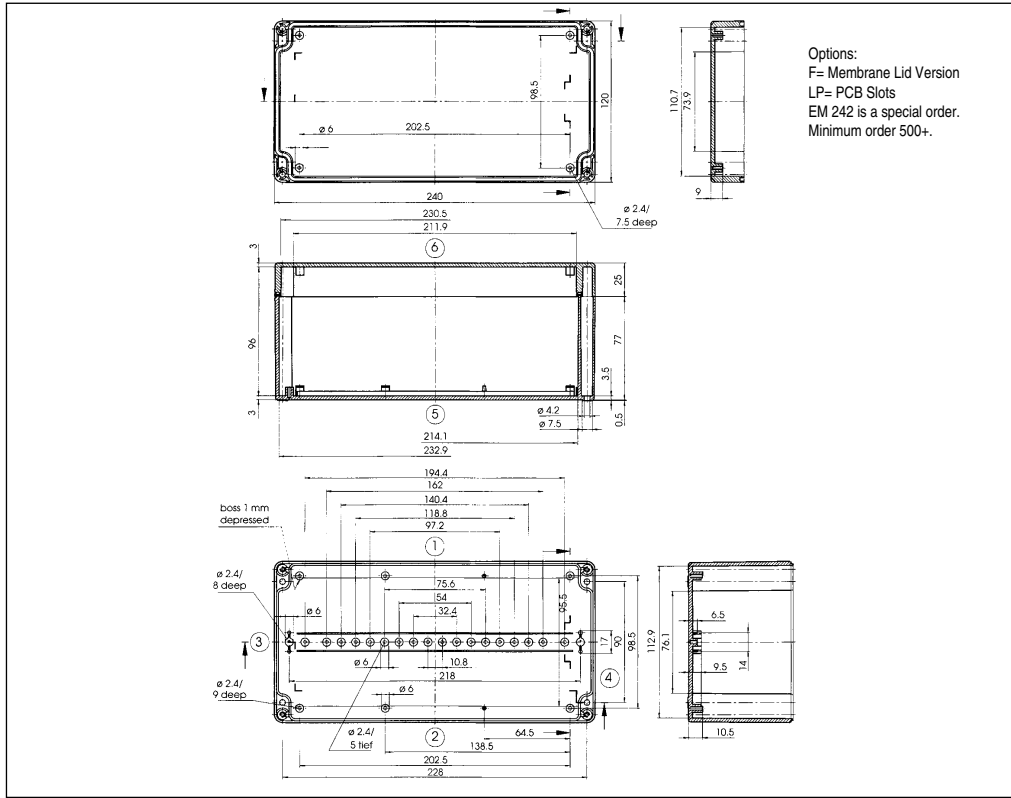
Standard Features
<ul style="list-style-type: none"> <li>• 10093000 00 M4x62 Stainless steel captive combo head lid screws.</li> <li>• 10082002 00 Removable 2.7mm Neoprene Gasket (8.03" length).</li> </ul>
Accessories
<ul style="list-style-type: none"> <li>• 10019193 00 Lid Screw caps.</li> <li>• 10082013 00 3.3mm Silicone gasket.</li> <li>• 10082021 00 2.62mm RFI Gasket (8.03" length).</li> <li>• 10094111 00 Table feet.</li> <li>• 10039139 00 Wall bracket.</li> <li>• 22000900 Mounting plate.</li> <li>• 10096217 00 M3x8mm Self tapping screw for mounting plate.</li> </ul>
Membrane Lid Detail



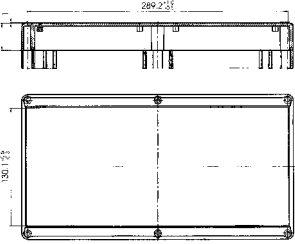
Distributed by Electro-Stock, Inc. sales@electrostock.com  
 630-682-1542 Fax 630-682-1562 http://www.electrostock.com

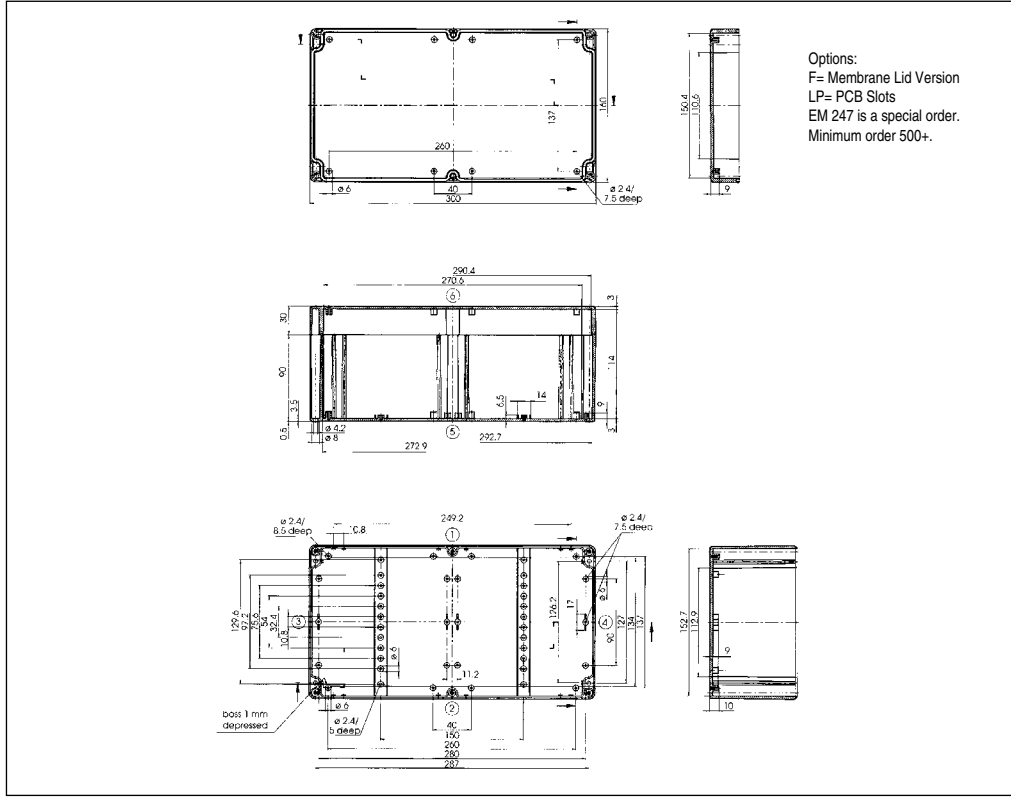
**EM/ET 242** External Dimensions: L250 x W120 x H102 mm Page 1-17, 23

Standard Features
<ul style="list-style-type: none"> <li>• 10093000 00 M4x62 Stainless steel captive combo head lid screws.</li> <li>• 10082002 00 Removable 2.7mm Neoprene Gasket (8.03" length).</li> </ul>
Accessories
<ul style="list-style-type: none"> <li>• 10019193 00 Lid Screw caps.</li> <li>• 10082013 00 3.3mm Silicone gasket.</li> <li>• 10082021 00 2.62mm RFI Gasket (8.03" length).</li> <li>• 10094111 00 Table feet.</li> <li>• 10039139 00 Wall bracket.</li> <li>• 22001200 Mounting plate.</li> <li>• 10096217 00 M3x8 Self tapping screw for mounting plate.</li> </ul>
Membrane Lid Detail




**EM/ET 247** External Dimensions: L300 x W160 x H120 mm Page 1-17, 23

Standard Features
<ul style="list-style-type: none"> <li>• 10093000 00 M4x62 Stainless steel captive combo head lid screws.</li> <li>• 10082002 00 Removable 2.7mm Neoprene Gasket (8.03" length).</li> </ul>
Accessories
<ul style="list-style-type: none"> <li>• 10019193 00 Lid Screw caps.</li> <li>• 10082013 00 3.3mm Silicone gasket.</li> <li>• 10082021 00 2.62mm RFI Gasket (8.03" length).</li> <li>• 10094111 00 Table feet.</li> <li>• 10039139 00 Wall bracket.</li> <li>• 22247001 Mounting plate.</li> <li>• 10096217 00 Self tapping screw for mounting plate.</li> </ul>
Membrane Lid Detail




Dimensional Drawings