

**Aluminum Watertight
01 Flange
Product Drawings
Last updated 1/6/2006**

Distributed by Electro-Stock, Inc.
sales@electrostock.com
630-682-1542 Fax 630-682-1562
<http://www.electrostock.com>



Painted or Unpainted Versions: These enclosures are available in painted and unpainted versions and are designed for applications where quick mounting in the field is required. The enclosure

Aluminum Watertight 01 Flange

lid does *not* have to be removed during installation.

The painted version includes a powdercoat painted die-cast aluminum base and lid, captive stainless steel lid screws, copper ground screws and a non-removable polyurethane gasket. The unpainted version is bare aluminum and has a standard removable neoprene gasket.

Silicone or RFI gaskets are available as an option to the unpainted version and will replace the standard neoprene gasket.

TECHNICAL DATA:

- Color: Powdercoated Version—Silver Gray similar to RAL 7001. Special colors are available. See paint specifications in the Technical Information Chapter.
Unpainted Version—Bare Aluminum.
- Material: Aluminum, AL Si 12. See Aluminum specifications in the Technical Information Chapter.
- Gasket Temperature Range:
 - Neoprene Gasket –40° F to +212° F
 - Polyurethane Foam Gasket –40° F to +194° F
 - Silicone Gasket –76° F to +266° F
 - RFI Gasket –40° F to +392° F
- Impact Resistance: >7Nm, EN50014
- Approvals:
 - File # E206630, UL 50, UL 508
 - CSA approved
- Captive Stainless Steel Lid Screws.
- Internal mounting plates are not available for this enclosure.
- Protection Classifications:
 - NEMA Types: Up to NEMA 4X
 - IP 66, EN 60529

Aluminum Watertight 01 With Integral Flange—Painted					
Part Number	Length (Inches/mm)	Width (Inches/mm)	Height (Inches/mm)	Weight	Drawing Page #
01061200 00	4.53 / 115	2.52 / 64	1.34 / 34	.50 lbs	17-23
01061900 00	7.28 / 185	2.52 / 64	1.34 / 34	.70 lbs	17-24

Aluminum Watertight 01 With Integral Flange—Unpainted					
Part Number	Length (Inches/mm)	Width (Inches/mm)	Height (Inches/mm)	Weight	Drawing Page #
01061200 85	4.53 / 115	2.52 / 64	1.34 / 34	.50 lbs	17-23
01061900 85	7.28 / 185	2.52 / 64	1.34 / 34	.70 lbs	17-24

Note: Dimensions are external. Metric is the primary dimension. Inch conversions and weights are for the user's convenience and are for reference only. Accessories shown on drawing page.

01061200 00/85

External Dimensions: L 115 x W 64 x H 34 mm

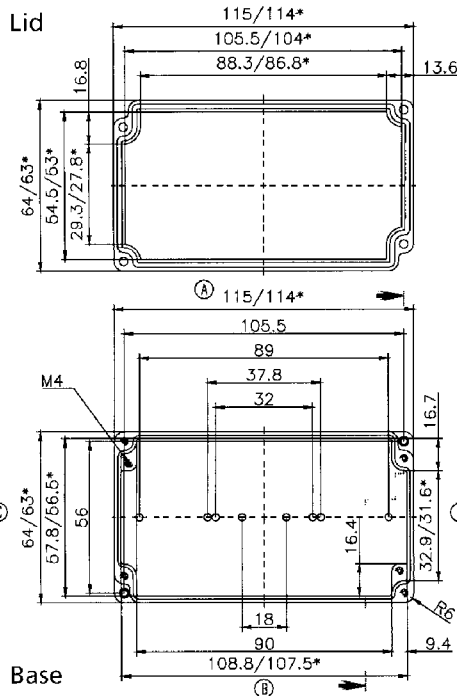
Page 1-6

Standard Features

- 10093132 00 M4x20 Stainless steel captive combo head lid screws.
- 10093116 00 M4x7 Copper ground screws.
- 10082003 00 Removable 3mm Neoprene Gasket for unpainted enclosures (12.63" length). Non-Removable Polyurethane gasket for painted version.

Accessories

- 10093091 00 Allen head lid screws.
- 10082013 00 3mm Silicone gasket.
- 10082022 00 3mm RFI Gasket (12.63" length).



* = Conical form tapering downwards
 Free dimensions-tolerance to GTA 13/5 DIN 1688

