

**ARTEB**  
**Handheld Enclosures**  
**Product Drawings**  
**Last Updated 6/20/2008**

ARTEB handheld enclosures, made of durable ABS plastic, offer an extensive array of design features that make them the perfect package for portable electronic equipment. This new handheld

## ARTEB Handheld Enclosures

enclosure combines ergonomic design, flexibility, optional IP 65 protection and high functionality, all to the user's advantage. The unified design concept, which ranges over 6 sizes in combination with end caps in black and 6 colors, gives any electronic device a distinctive appearance. ARTEB meets the challenge with many possible combinations.

In the standard configuration they are classified with an ingress protection rating of IP 40. However, gasket sets are available that increase the rating to IP 65, with the exception of ART 115. On ARTEB models with 2 endcaps, it is possible to mount small boards or mounting plates vertical to the enclosure base by utilizing the integrated slot between the base and lid. All sizes in the ARTEB series are membrane keypad ready, and ART 335, ART 555, and ART 865 are offered with a display opening. Plastic display screens with scratch resistant coating are available for all display (DIS) versions. Battery compartments are made for larger sizes (ART 555, ART 655, ART 865). Battery compartments come with integrated front panels to prevent contact with other built-in components. Battery compartment dividing walls are an option for ART 335, ART 555, ART 655 and ART 865. Two types of catch locks are sold as accessories. One catch lock allows the enclosure to be opened by hand, instead of with a screwdriver. The other type prevents the opening of the enclosure. This gives the flexibility to set the cap functions differently from top to bottom depending on your design.

ARTEB enclosures are supplied as a lid and a base. End caps, gaskets, battery compartments, dividing walls, display screens and snap locks must be ordered separately.



### TECHNICAL DATA:

- Color: agate gray, similar to RAL 7038. Special colors on request. Minimum quantity required.
- Material—ABS
- Gasket: Neoprene
- Ingress protection: IP 40 to DIN VDE 0470  
IP 65 with gaskets, except ART 115 and ART... BE applications.
- Surface resistance:  $10^{14}$  Ohm to DIN 53482.
- Flammability: UL 94 HB/1.6.
- Impact resistance: 17KV/mm to DIN 53481.
- Temperature resistance: -58°F to +158°F.

ARTEB Handhelds						
Model Number	Part Number	Length (Inches/mm)	Width (Inches/mm)	Height (Inches/mm)	Weight lbs.	Drawing
ART 115 F	34111511	3.07 / 78	1.77 / 45	.71 / 18	.256	17-123
ART 225 F <sup>1</sup>	34122511	3.86 / 98	2.16 / 55	.79 / 20	.408	17-124
ART 335 DIS <sup>1</sup>	34133512	5.12 / 130	2.95 / 75	1.02 / 26	.752	17-126
ART 335 F <sup>1</sup>	34133511	5.12 / 130	2.95 / 75	1.02 / 26	.765	17-126
ART 555 DIS <sup>1</sup>	34155512	6.50 / 165	3.62 / 92	1.18 / 30	1.288	17-128
ART 555 F <sup>1</sup>	34155511	6.50 / 165	3.62 / 92	1.18 / 30	1.358	17-128
ART 655 DIS <sup>1</sup>	34165512	8.03 / 204	4.33 / 110	1.61 / 41	1.916	17-131
ART 655 F <sup>1</sup>	34165511	8.03 / 204	4.33 / 110	1.61 / 41	2.007	17-131
ART 865 DIS <sup>1</sup>	34186512	9.29 / 236	4.92 / 125	1.61 / 41	2.271	17-134
ART 865 F <sup>1</sup>	34186511	9.29 / 236	4.92 / 125	1.61 / 41	2.403	17-134

F=continuous membrane area DIS=display opening

<sup>1</sup> Can be combined with the universal docking station.

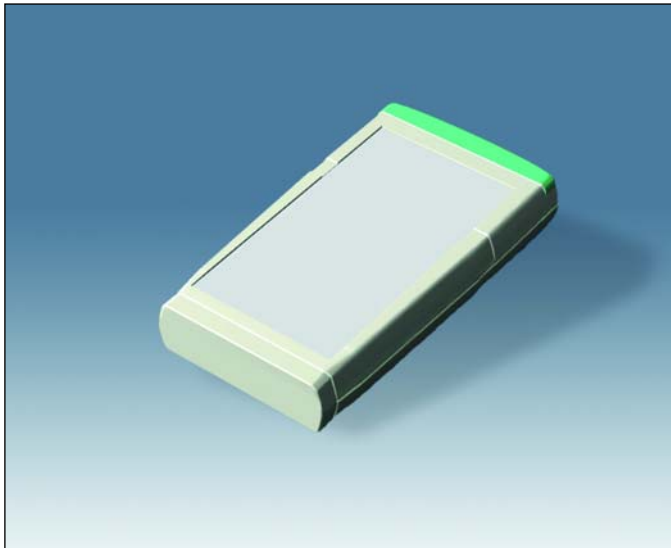
Note: Dimensions are external. Metric is the primary dimension. Inch conversions are for the user's convenience and are for reference only.

Accessories shown on drawing page.



**End caps are available in 6 colors plus black. Clockwise from top left: black (infrared-permissive), sky blue, flame red, agate gray, sulphur yellow, light green, dusty gray.**

Handheld Enclosures

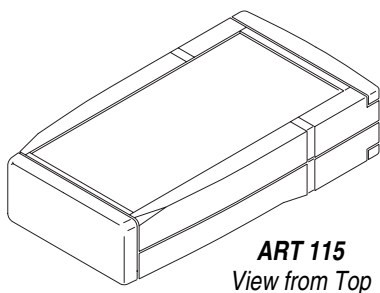


**TECHNICAL DATA:**

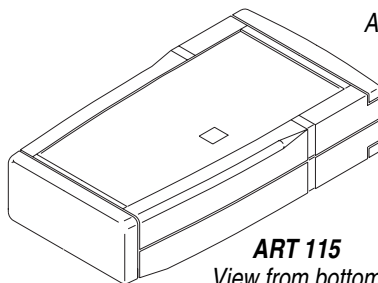
- Color: agate gray, similar to RAL 7038. Special colors available on request. Minimum quantity required.
- Material—enclosure body and endcaps, ABS plastic  
Infrared-permissive endcap, Polycarbonate
- Ingress protection: IP 40 to DIN VDE 0470
- Surface resistance: 10<sup>14</sup> Ohm to DIN 53482
- Flammability: UL 94 HB/1.6
- Impact resistance: 17KV/mm to DIN 53481



Clip Stand can easily be fastened to any ARTEB enclosure and is used for clipping units to shirt or jacket pockets, as a stand, or as a wall-hanging attachment.



**ART 115**  
View from Top



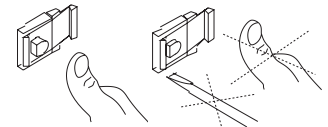
**ART 115**  
View from bottom

The ARTEB 115 is a palm-size enclosure made of robust ABS plastic. It features a continuous membrane keypad area on the top, and has one end cap. This version consists of a lid and base,

## ARTEB 115

assembly screw and screw cover. Ardeb caps are used to close the enclosure at the top. Caps are available in black and 6 different colors to give each enclosure an individualized appearance. For infrared remote control applications you can order the black infrared-permissive (IR) caps. The caps can be removed by hand or by using a screwdriver. For a more convenient way of opening the enclosure (for maintenance, replacing components, or for changing batteries), you can order snap locks designed for hand operation. The top cap can then be opened by pressing the snap locks. Snap locks are available for hand operation as well as blocking snap locks, depending on your application.

**Snap Locks**



All caps are considered accessories and must be ordered separately. Other accessories include battery holder, snap lock, and clip stand.

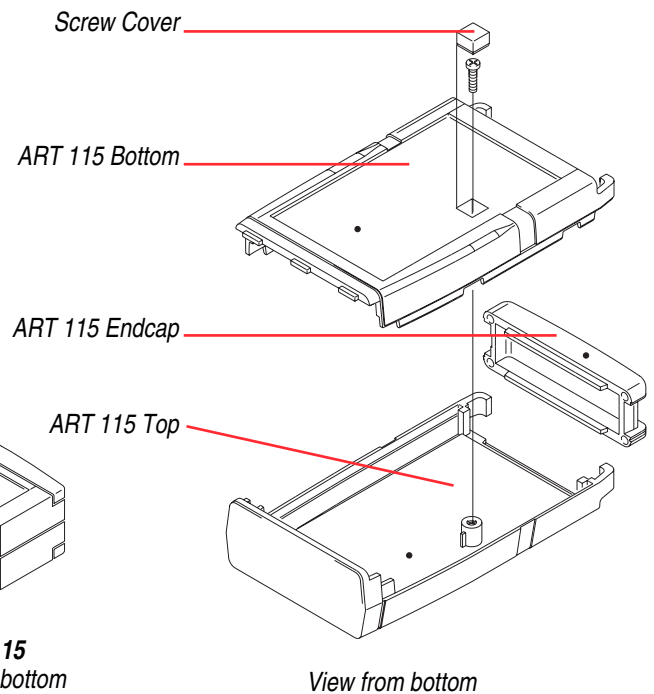
### ARTEB 115 Handhelds

Model Number	Part Number	Length (Inches/mm)	Width (Inches/mm)	Height (Inches/mm)	Weight lbs.	Drawing
ART 115 F	34111511	3.07 / 78	1.77 / 45	.71 / 18	.256	17-123

F=continuous membrane area

Note: Dimensions are external. Metric is the primary dimension. Inch conversions are for the user's convenience and are for reference only.

Accessories shown on drawing page.



The ARTEB 225 is an attractive handheld enclosure made of robust ABS plastic. It features a continuous membrane keypad area on the lid and base, and has 2 endcaps, top and bottom.

## ARTEB 225

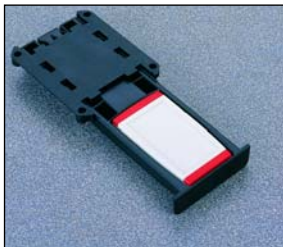
The back side of the 225 could also be used to mount a membrane keypad. An integrated slot is provided at each end of the ART 225 that allows the mounting of small panels or boards perpendicular to the base. Arteb caps are used to finish the enclosure at the top and bottom and are available in black and 6 different colors to give the enclosure an individualized appearance. Caps can be removed by hand or by using a screwdriver. For infrared remote control applications, black infrared-permissive (IR) caps are an option.

All caps are considered accessories and must be ordered separately. Other accessories include snap lock, clip stand, gasket set, battery holder, and table drawer.

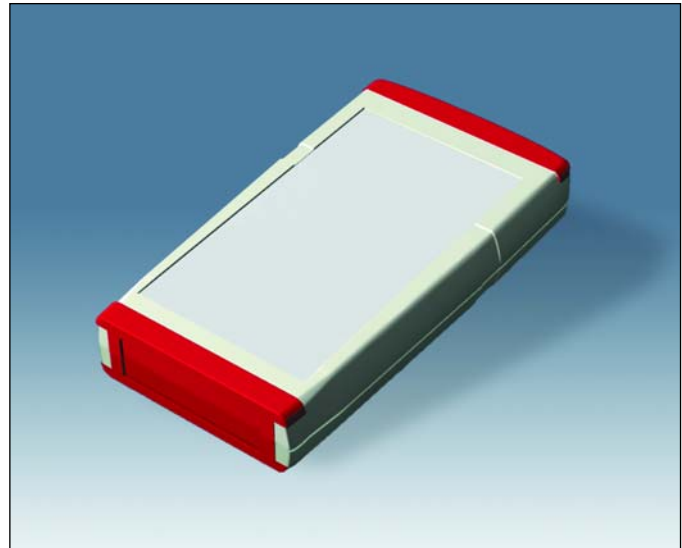
ARTEB 225 Handhelds						
Model Number	Part Number	Length (Inches/mm)	Width (Inches/mm)	Height (Inches/mm)	Weight lbs.	Drawing
ART 225 F <sup>1</sup>	34122511	3.86 / 98	2.16 / 55	.79 / 20	.408	17-124

F=continuous membrane area <sup>1</sup> Can be combined with the universal docking station.  
Note: Dimensions are external. Metric is the primary dimension. Inch conversions are for the user's convenience and are for reference only.

Accessories shown on drawing page.

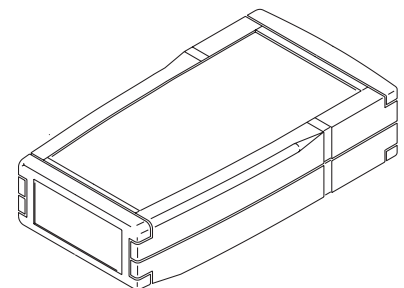
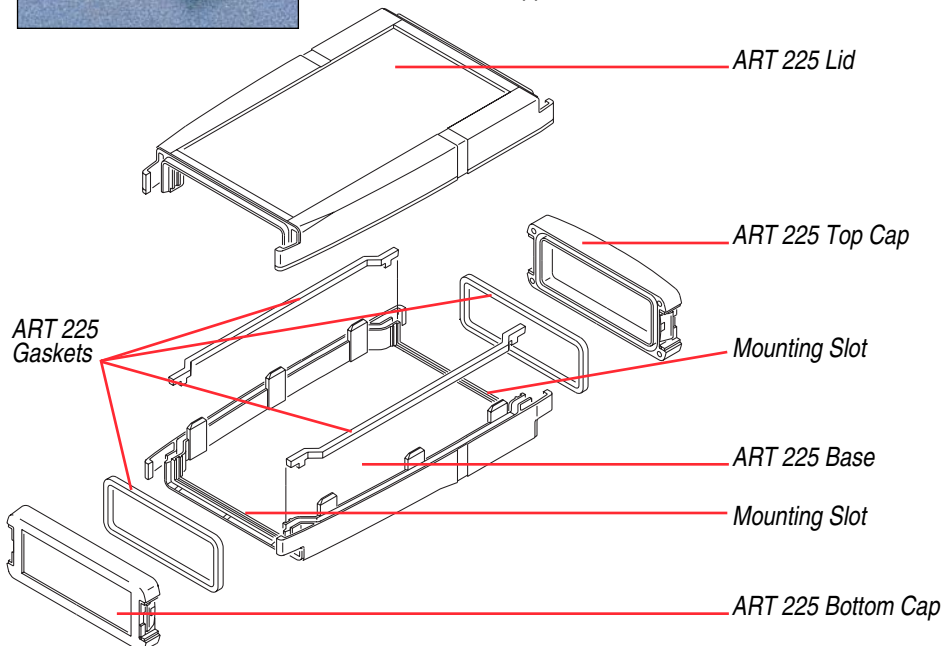


▶ The ARTEB table drawer can be attached under any table or work surface. It provides space for an ART 225 enclosure, which can be used as a manual control unit for PC tables of similar applications.

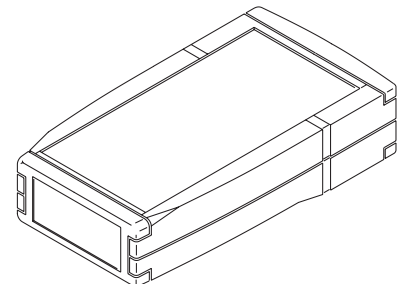


### TECHNICAL DATA:

- Color: agate gray, similar to RAL 7038. Special colors available on request. Minimum quantity required.
- Material—enclosure body and endcaps, ABS plastic  
Infrared-permissive endcap, Polycarbonate
- Gasket: Neoprene
- Ingress protection: IP 40 to DIN VDE 0470  
IP 65 with gaskets  
NEMA 12
- Surface resistance: 10<sup>14</sup> Ohm to DIN 53482
- Flammability: UL 94 HB/1.6
- Impact resistance: 17KV/mm to DIN 53481
- Temperature resistance: -4°F to 158°F



ART 225 - View from bottom  
(can also be used as front)



ART 225 - View from Top



**TECHNICAL DATA:**

- Color: agate gray, similar to RAL 7038. Special colors available on request. Minimum quantity required.
- Material—enclosure body and endcaps, ABS plastic  
Infrared-permissive endcap, Polycarbonate
- Gasket: Neoprene
- Ingress protection: IP 40 to DIN VDE 0470  
IP 65 with gaskets, NEMA 12
- Surface resistance:  $10^{14}$  Ohm to DIN 53482
- Flammability: UL 94 HB/1.6
- Impact resistance: 17KV/mm to DIN 53481
- Temperature resistance: -58°F to 194°F

ARTEB 335, made of ABS plastic, is offered in 2 versions. The ART 335 F has a continuous membrane keypad ready area on the lid. The ART 335 DIS is the display version. The lid portion

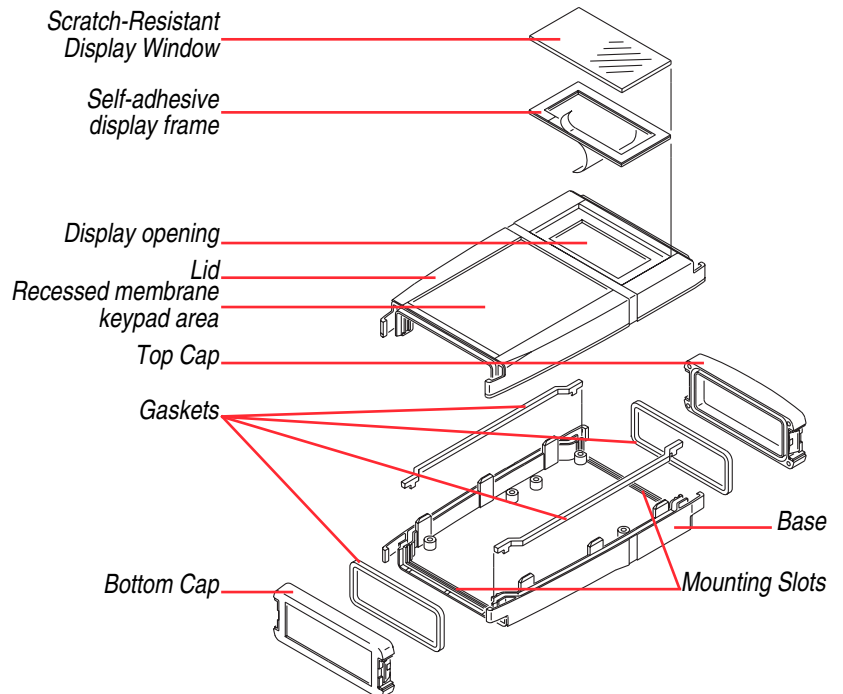
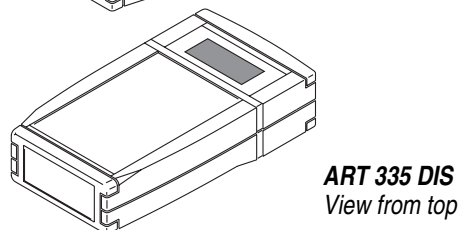
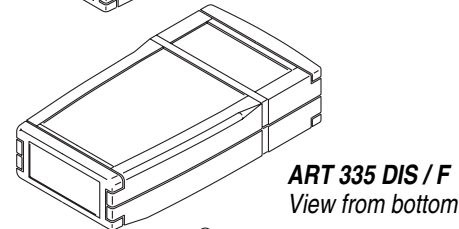
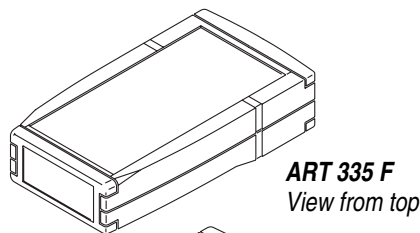
## ARTEB 335

features a display area 29.5 x 55.5mm, and a membrane keypad area measuring 55.5 x 68mm. The base of the ART DIS and F versions have 2 membrane keypad areas, 29.5 x 55.5mm and 55.5 x 68mm. ART 335F features a continuous membrane keypad area on the lid, measuring 55.5 x 103mm. Both versions require Arteb caps to finish the enclosure at the top and bottom and feature an integrated slot at each end for mounting small panels or boards perpendicular to the base. Caps available in black and 6 colors to give the enclosure a unique appearance. Caps can be removed by hand or by using a screwdriver. For infrared remote control applications, black infrared-permissive (IR) caps are an option. Clear display windows are offered as an accessory. Windows are scratch-resistant on one side, can be printed on the opposite side, and come with a self-adhesive frame.

All caps are accessories and must be ordered separately. Other accessories include battery holder, battery compartment dividing wall, snap lock, clip stand, gasket set, and display window.

ARTEB 335 Handhelds						
Model Number	Part Number	Length (Inches/mm)	Width (Inches/mm)	Height (Inches/mm)	Weight lbs.	Drawing
ART 335 DIS <sup>1</sup>	34133512	5.12 / 130	2.95 / 75	1.02 / 26	.752	17-126
ART 335 F <sup>1</sup>	34133511	5.12 / 130	2.95 / 75	1.02 / 26	.762	17-126

F=continuous membrane area DIS=display opening  
<sup>1</sup> Can be combined with the universal docking station.  
 Note: Dimensions are external. Metric is the primary dimension. Inch conversions are for the user's convenience and are for reference only.  
 Accessories shown on drawing page.

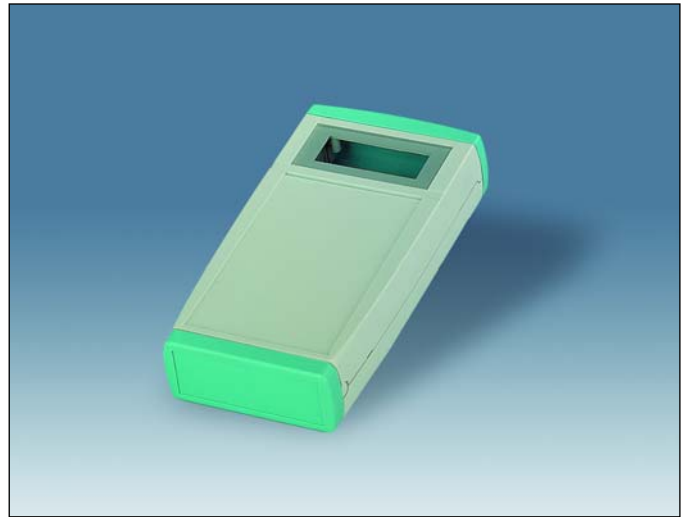


The ARTEB 555 is available in 2 basic versions—ART 555 F featuring a continuous membrane keypad ready area on the lid, and the ART 555 DIS, the display version. Each version is offered in 3

## ARTEB 555

models. F and DIS models can be gasketed to achieve an IP 65 rating. Internal battery compartments are sold separately for these models. The 555 series is also available with 2 sizes of integrated battery compartments, which can be accessed from the outside of the enclosure. Part numbers are tagged “w/BE30” or “w/BE60”. Ingress Protection on these models is IP 40. All models require caps to finish the enclosure at the top and bottom. Caps come in 6 different colors and Black infrared-permissive (IR) to give the enclosure a unique appearance. Caps can be removed by hand or by using a screwdriver. All ARTEB 555 enclosures feature an integrated slot at each end for mounting small panels or boards perpendicular to the base. Clear display windows are offered for DIS models. Windows are scratch-resistant on one side and can be printed on the opposite side.

Accessories include: end caps; battery holders, compartments, and dividing walls; snap locks; clip stands; gasket sets, and display windows. Accessories must be ordered separately.



### TECHNICAL DATA:

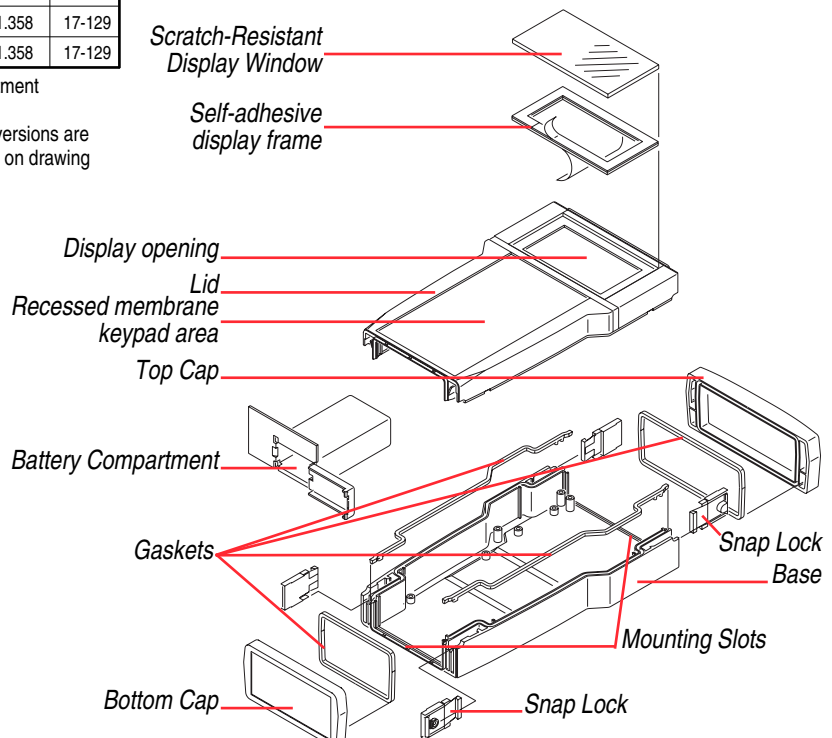
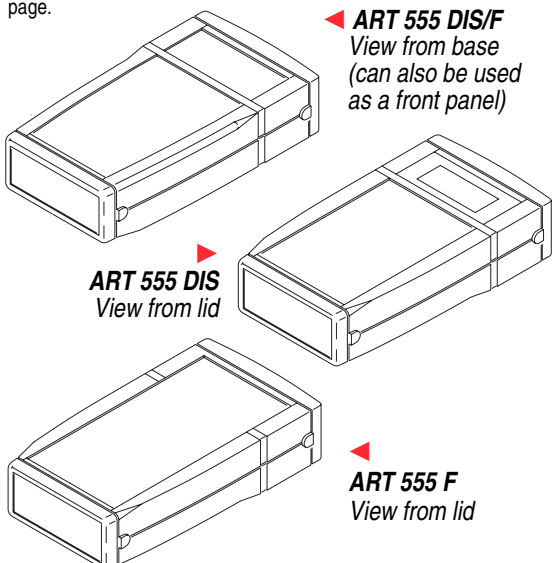
- Color: agate gray, similar to RAL 7038. Special colors available on request. Minimum quantity required.
- Material—enclosure body and endcaps, ABS plastic  
Infrared-permissive endcap, Polycarbonate
- Gasket: Neoprene
- Ingress protection: IP 40 to DIN VDE 0470  
IP 65 with gaskets on ART 555 DIS and ART 555 F, NEMA 12
- Surface resistance:  $10^{14}$  Ohm to DIN 53482
- Flammability: UL 94 HB/1.6
- Impact resistance: 17KV/mm to DIN 53481
- Temperature resistance: -58°F to 194°F

ARTEB 555 Handhelds						
Model Number	Part Number	Length (Inches/mm)	Width (Inches/mm)	Height (Inches/mm)	Weight lbs.	Drawing
ART 555 DIS <sup>1</sup>	34155512	6.50 / 165	3.62 / 92	1.18 / 30	1.288	17-128
ART 555 DIS w/BE30 <sup>1</sup>	34155582	6.50 / 165	3.62 / 92	1.18 / 30	1.288	17-129
ART 555 DIS w/BE60	34155592	6.50 / 165	3.62 / 92	1.18 / 30	1.288	17-129
ART 555 F <sup>1</sup>	34155511	6.50 / 165	3.62 / 92	1.18 / 30	1.358	17-128
ART 555 F w/BE 30 <sup>1</sup>	34155581	6.50 / 165	3.62 / 92	1.18 / 30	1.358	17-129
ART 555 F w/BE 60	34155591	6.50 / 165	3.62 / 92	1.18 / 30	1.358	17-129

F=continuous membrane area DIS=display opening BE=battery compartment

<sup>1</sup> Can be combined with the universal docking station.

Note: Dimensions are external. Metric is the primary dimension. Inch conversions are for the user's convenience and are for reference only. Accessories shown on drawing page.



Handheld Enclosures



**TECHNICAL DATA:**

- Color: agate gray, similar to RAL 7038. Special colors available on request. Minimum quantity required.
- Material—enclosure body and endcaps, ABS plastic  
Infrared-permissive endcap, Polycarbonate
- Gasket: Neoprene
- Ingress protection: IP 40 to DIN VDE 0470  
IP 65 with gaskets on ART 655 DIS and ART 655 F, NEMA 12
- Surface resistance:  $10^{14}$  Ohm to DIN 53482
- Flammability: UL 94 HB/1.6
- Impact resistance: 17KV/mm to DIN 53481
- Temperature resistance: -58°F to +194°F

The ARTEB 655 series consists of 3 display models (DIS) and 3 models (F) designed for continuous membrane keypads. The basic F and DIS models can be gasketed to achieve an IP 65

## ARTEB 655

rating. Internal battery compartments and dividing walls are sold separately for these models. Four models in the series are available with integrated battery compartments, which can be accessed from the outside of the enclosure. Part numbers are tagged “w/BE30” or “w/BE60”. Ingress protection for these models is IP 40. All models require caps to finish the enclosure at the top and bottom. Caps come in 6 different colors and Black infrared-permissive (IR) to give the enclosure a unique appearance. All ARTEB 655 enclosures feature an integrated slot at each end for mounting small panels or boards perpendicular to the base. The DIS models are designed for displays 128 x 64 dots or 4 x 16 characters. Mounting bosses are located in the lid and base to accommodate standard displays. Clear display windows are offered, which are scratch-resistant on one side and can be printed on the opposite side.

Accessories include: end caps; battery holders, compartments, and dividing walls; snap locks; clip stands; gasket sets, and display windows. Accessories must be ordered separately.

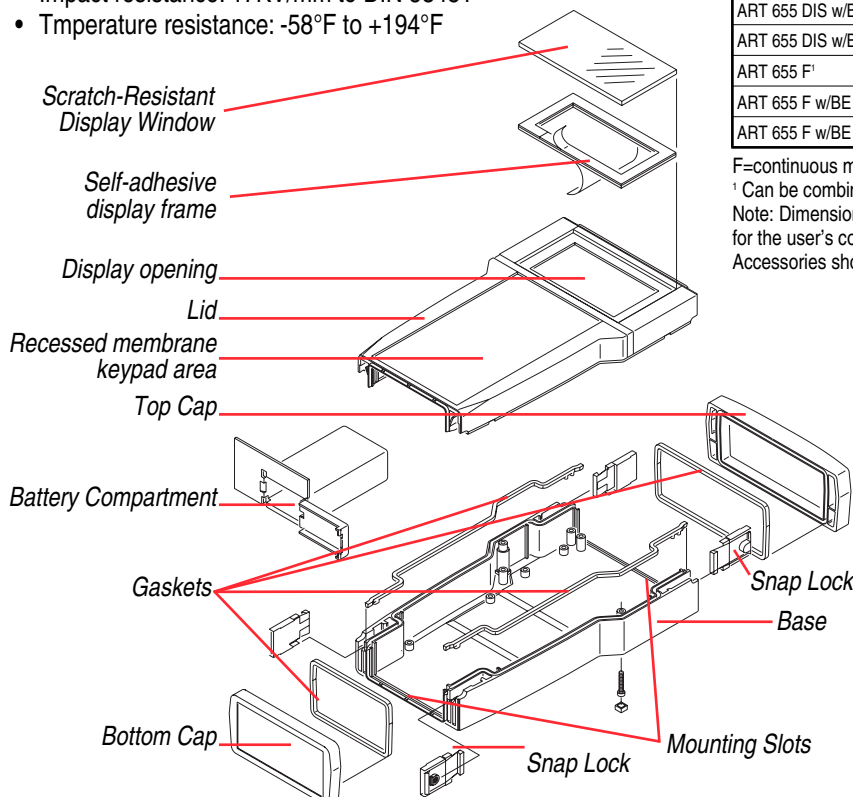
### ARTEB 655 Handhelds

Model Number	Part Number	Length (Inches/mm)	Width (Inches/mm)	Height (Inches/mm)	Weight lbs.	Drawing
ART 655 DIS <sup>1</sup>	34165512	8.03 / 204	4.33 / 110	1.61 / 41	1.916	17-131
ART 655 DIS w/BE30 <sup>1</sup>	34165582	8.03 / 204	4.33 / 110	1.61 / 41	1.916	17-132
ART 655 DIS w/BE60	34165592	8.03 / 204	4.33 / 110	1.61 / 41	1.916	17-132
ART 655 F <sup>1</sup>	34165511	8.03 / 204	4.33 / 110	1.61 / 41	2.007	17-131
ART 655 F w/BE 30 <sup>1</sup>	34165581	8.03 / 204	4.33 / 110	1.61 / 41	2.007	17-132
ART 655 F w/BE 60	34165591	8.03 / 204	4.33 / 110	1.61 / 41	2.007	17-132

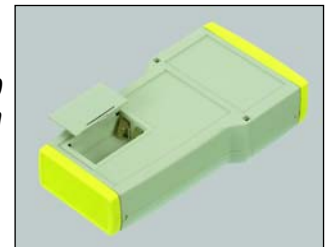
F=continuous membrane area DIS=display opening BE=battery compartment  
<sup>1</sup> Can be combined with the universal docking station.

Note: Dimensions are external. Metric is the primary dimension. Inch conversions are for the user's convenience and are for reference only.

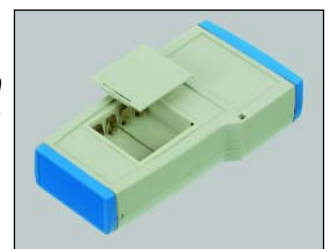
Accessories shown on drawing page.



**ART655 w/BE 30**  
View from bottom



**ART655 w/BE 60**  
View from bottom



The ergonomically shaped ARTEB 865, made of robust ABS plastic, is ideal for demanding applications. The series consists of 3 display models (DIS) and 3 models (F) designed for continuous

## ARTEB 865

membrane keypads. The basic F and DIS models can be gasketed to achieve an IP 65 rating. Internal battery compartments and dividing walls are sold separately for these models. Four models in the series are available with integrated battery compartments, which can be accessed from the outside of the enclosure. Part numbers are tagged “w/BE30” or “w/BE60”. Ingress protection for these models is IP 40. All models require caps to finish the enclosure at the top and bottom. Caps come in 6 different colors and Black infrared-permissive (IR) to give the enclosure a unique appearance. All ARTEB 865 enclosures feature an integrated slot at each end for mounting small panels or boards perpendicular to the base. The DIS models are designed for displays 128 x 64 dots or 4 x 20 characters. Mounting bosses are located in the lid and base to accommodate standard displays. Clear display windows are offered that are scratch-resistant on one side and can be printed on the opposite side.

Accessories include: end caps; battery holders, compartments, and dividing walls; snap locks; clip stands; gasket sets, and display windows. Accessories must be ordered separately.



### TECHNICAL DATA:

- Color: agate gray, similar to RAL 7038. Special colors available on request. Minimum quantity required.
- Material—enclosure body and endcaps, ABS plastic  
Infrared-permissive endcap, Polycarbonate
- Gasket: Neoprene
- Ingress protection: IP 40 to DIN VDE 0470  
IP 65 with gaskets on ART 865 DIS and ART 865 F,  
NEMA 12
- Surface resistance:  $10^{14}$  Ohm to DIN 53482
- Flammability: UL 94 HB/1.6
- Impact resistance: 17KV/mm to DIN 53481
- Temperature resistance: -58°F to +194°F

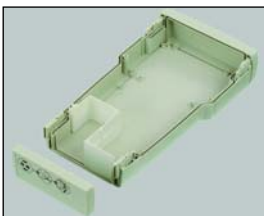
ARTEB 865 Handhelds						
Part Number	Model Number	Length (Inches/mm)	Width (Inches/mm)	Height (Inches/mm)	Weight lbs.	Drawing
ART 865 DIS <sup>1</sup>	34186512	9.29 / 236	4.92 / 125	1.61 / 41	2.271	17-134
ART 865 DIS w/BE30 <sup>1</sup>	34186582	9.29 / 236	4.92 / 125	1.61 / 41	2.271	17-135
ART 865 DIS w/BE60	34186592	9.29 / 236	4.92 / 125	1.61 / 41	2.271	17-135
ART 865 F <sup>1</sup>	24186511	9.29 / 236	4.92 / 125	1.61 / 41	2.403	17-134
ART 865 F w/BE 30 <sup>1</sup>	34186581	9.29 / 236	4.92 / 125	1.61 / 41	2.403	17-135
ART 865 F w/BE 60	34186591	9.29 / 236	4.92 / 125	1.61 / 41	2.403	17-135

F=continuous membrane area DIS=display opening BE=battery compartment

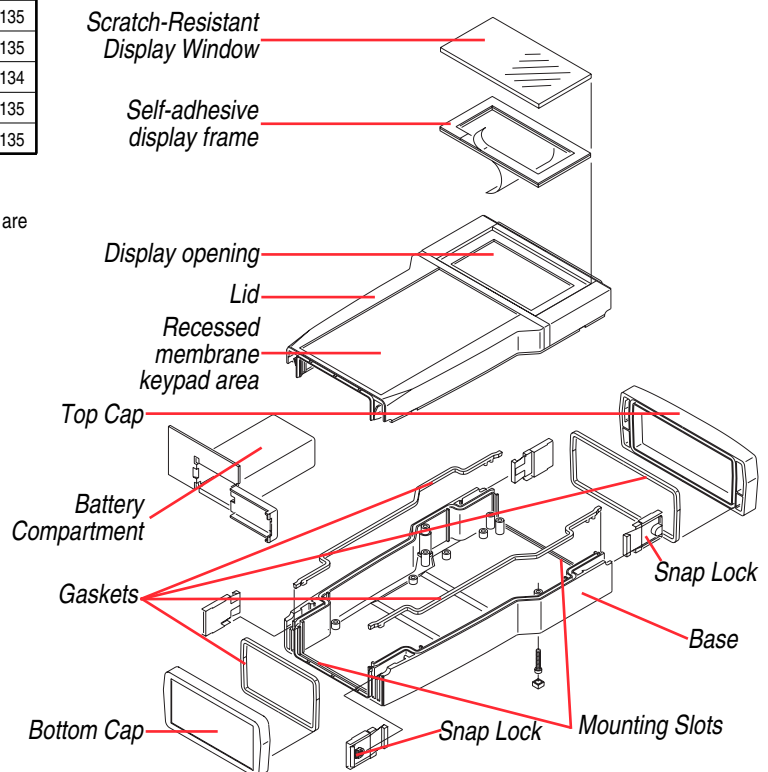
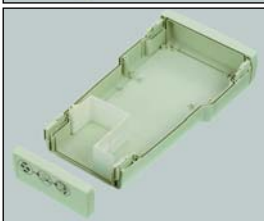
<sup>1</sup> Can be combined with the universal docking station.

Note: Dimensions are external. Metric is the primary dimension. Inch conversions are for the user's convenience and are for reference only.

Accessories shown on drawing page.



◀ Dividing walls for battery holders. ART865 BTU 1 for BH 4MN-BL (left); ART 865 BTU 2 for BH 6mn-BL (bottom left); ART 865 BTU 3 for BH 4MN-BL or BH 6MN-BL (below).



Handheld Enclosures

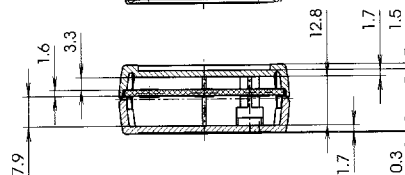
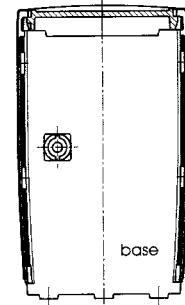
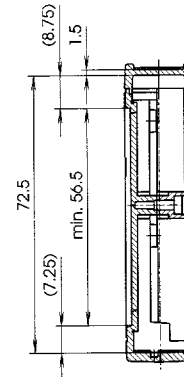
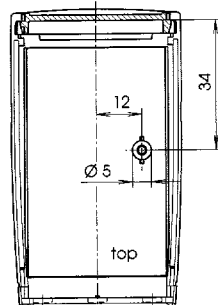
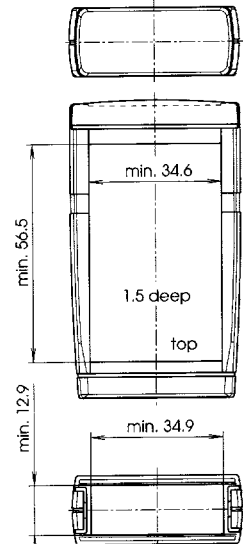
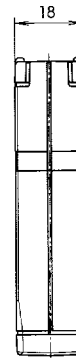
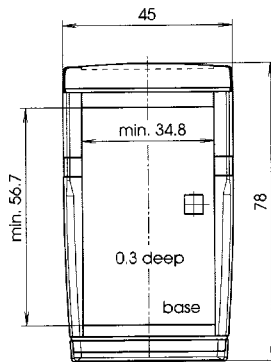


**Arteb 115**

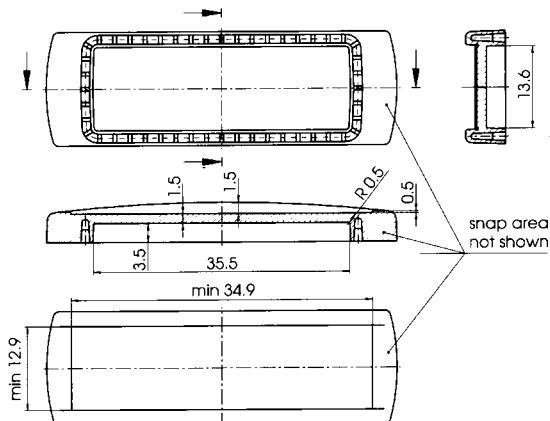
External Dimensions: L78 x W45x H18 mm

Page 4-15, 16

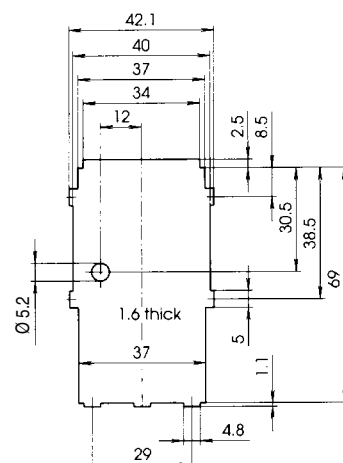
Standard Features
<ul style="list-style-type: none"> <li>• ART 115 F/34111511 Lid and base, with continuous membrane area, screw and screw cover.</li> </ul>
Accessories
<p><b>KO = Caps at Top</b></p> <ul style="list-style-type: none"> <li>• ART 115 KO-7038/34111521 Agate gray, similar to RAL 7038 (pack of 5).</li> <li>• ART 115 KO-6027/34111522 Light green, similar to RAL 6027 (pack of 5).</li> <li>• ART 115 KO-1016/34111523 Sulphur yellow, similar to RAL 1016 (pack of 5).</li> <li>• ART 115 KO-7037/34111524 Dusty gray, similar to RAL 7037 (pack of 5).</li> <li>• ART 115 KO-3000/34111525 Flame red, similar to RAL 3000 (pack of 5).</li> <li>• ART 115 KO-5015/34111527 Sky blue, similar to RAL 5015 (pack of 5).</li> <li>• ART 115 KO-IR/34111526 Black, infrared-permissive, (pack of 5).</li> <li>• ASC1/34090010 Belt clip, agate gray.</li> <li>• 34333573 Dismantling tool</li> </ul>



Cap at top



Maximum PCB Dimensions



The PCB is clamped between the lid and the base

Dimensional Drawings





**Accessories**

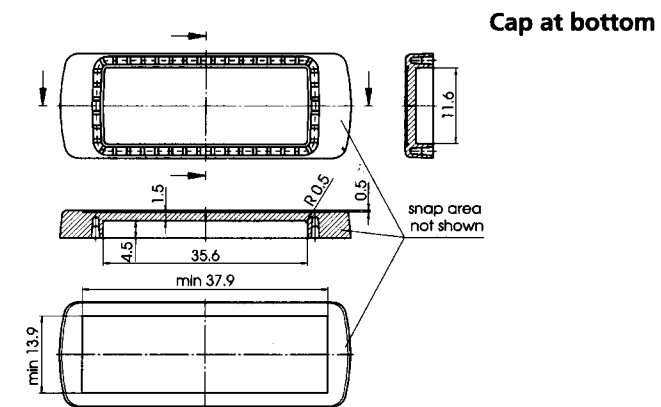
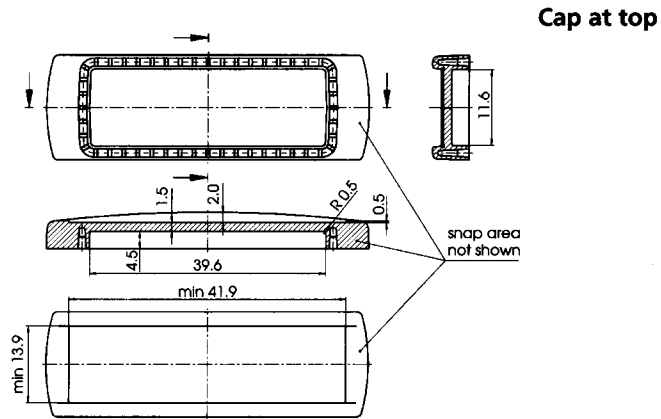
• **ART SL 225/34122515** Table Drawer, drawer support, 4 screws. Can be attached under any work surface using 4 screws (pack of 5).

**KO = Caps at Top**

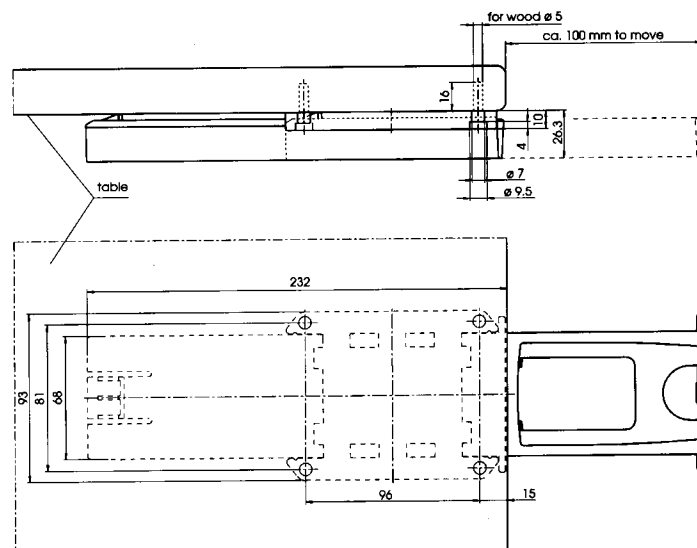
- **ART 225 KO-7038/34122521** Agate gray, similar to RAL 7038 (pack of 5).
- **ART 225 KO-6027/34122522** Light green, similar to RAL 6027 (pack of 5).
- **ART 225 KO-1016/34122523** Sulphur yellow, similar to RAL 1016 (pack of 5).
- **ART 225 KO-7037/34122524** Dusty gray, similar to RAL 7037 (pack of 5).
- **ART 225 KO-3000/34122525** Flame red, similar to RAL 3000 (pack of 5).
- **ART 225 KO-5015/34122527** Sky blue, similar to RAL 5015 (pack of 5).
- **ART 225 KO-IR/34122526** Black, infrared-permissive, (pack of 5).

**KU = Caps at Bottom**

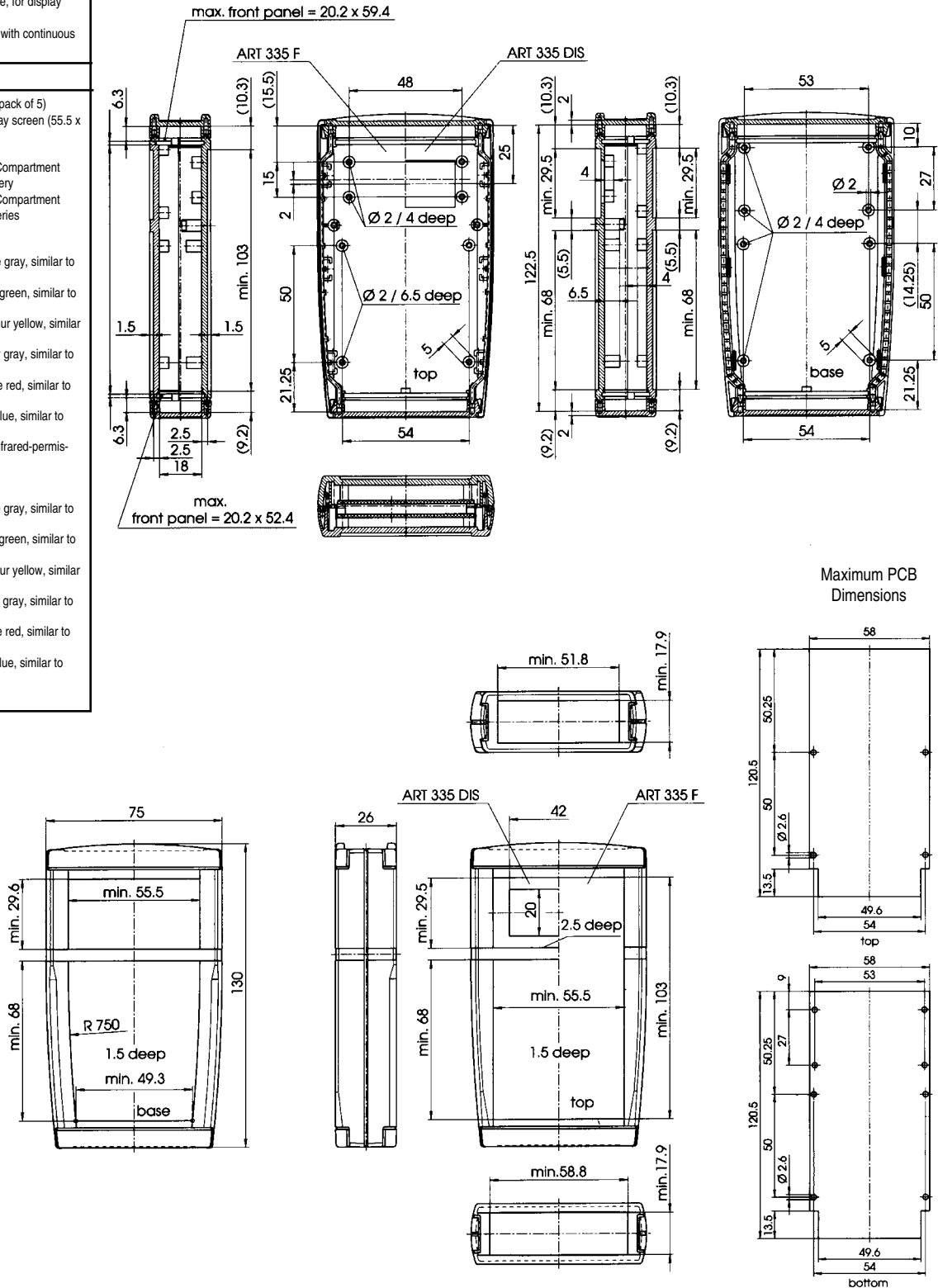
- **ART 225 KU-7038/34122531** Agate gray, similar to RAL 7038 (pack of 5).
- **ART 225 KU-6027/34122532** Light green, similar to RAL 6027 (pack of 5).
- **ART 225 KU-1016/34122533** Sulphur yellow, similar to RAL 1016 (pack of 5).
- **ART 225 KU-7037/34122534** Dusty gray, similar to RAL 7037 (pack of 5).
- **ART 225 KU-3000/34122535** Flame red, similar to RAL 3000 (pack of 5).
- **ART 225 KU-5015/34122537** Sky blue, similar to RAL 5015 (pack of 5).



**BOPLA ARTEB table drawer**



Standard Features
<ul style="list-style-type: none"> <li>• ART 335 DIS/34133512 Lid and base, for display applications</li> <li>• ART 335 F/34133511 Lid and base, with continuous membrane area</li> </ul>
Accessories
<ul style="list-style-type: none"> <li>• ART 335-DI/34133551 Gasket set (pack of 5)</li> <li>• ART 300-DIS/34130041 Clear Display screen (55.5 x 29.5 x 2mm) Pack of 5</li> <li>• ASC 1/34090010 Belt clip</li> <li>• ART 335 BTU 1/34133541 Battery Compartment Dividing Wall, space for one 9V battery</li> <li>• ART 335 BTU 2/34133542 Battery Compartment Dividing Wall, space for two AA batteries</li> </ul>
<p><b>KO = Caps at Top</b></p> <ul style="list-style-type: none"> <li>• ART 335 KO-7038/34133521 Agate gray, similar to RAL 7038 (pack of 5).</li> <li>• ART 335 KO-6027/34133522 Light green, similar to RAL 6027 (pack of 5).</li> <li>• ART 335 KO-1016/34133523 Sulphur yellow, similar to RAL 1016 (pack of 5).</li> <li>• ART 335 KO-7037/34133524 Dusty gray, similar to RAL 7037 (pack of 5).</li> <li>• ART 335 KO-3000/34133525 Flame red, similar to RAL 3000 (pack of 5).</li> <li>• ART 335 KO-5015/34133527 Sky blue, similar to RAL 5015 (pack of 5).</li> <li>• ART 335 KO-IR/34133526 Black, infrared-permissive, (pack of 5).</li> </ul>
<p><b>KU = Caps at Bottom</b></p> <ul style="list-style-type: none"> <li>• ART 335 KU-7038/34133531 Agate gray, similar to RAL 7038 (pack of 5).</li> <li>• ART 335 KU-6027/34133532 Light green, similar to RAL 6027 (pack of 5).</li> <li>• ART 335 KU-1016/34133533 Sulphur yellow, similar to RAL 1016 (pack of 5).</li> <li>• ART 335 KU-7037/34133534 Dusty gray, similar to RAL 7037 (pack of 5).</li> <li>• ART 335 KU-3000/34133535 Flame red, similar to RAL 3000 (pack of 5).</li> <li>• ART 335 KU-5015/34133537 Sky blue, similar to RAL 5015 (pack of 5).</li> </ul>





**Arteb 335 Accessories**

**Accessories**

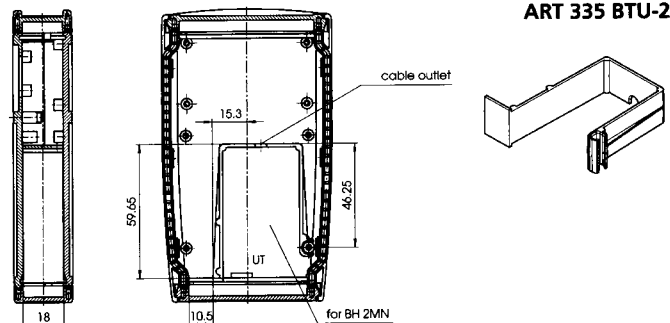
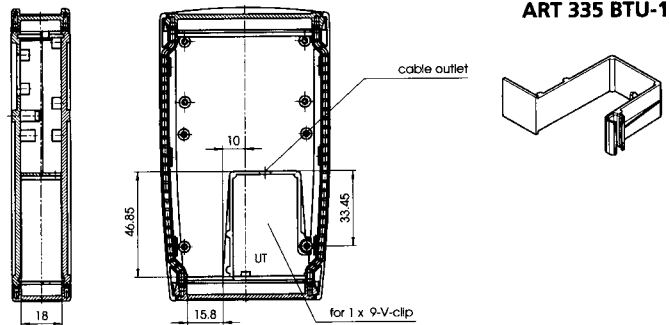
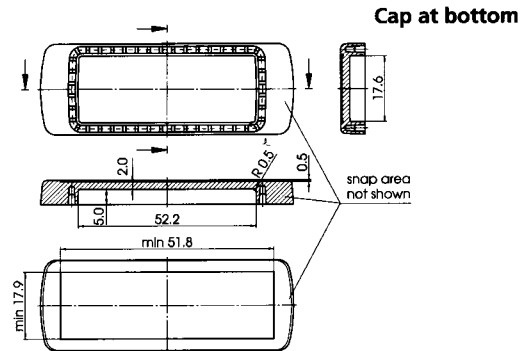
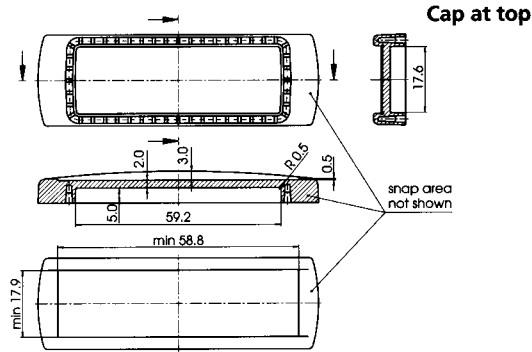
- **ART 335 BTU 1/34133541** Battery Compartment Dividing Wall, space for one 9V battery
- **ART 335 BTU 2/34133542** Battery Compartment Dividing Wall, space for two AA batteries

**KO = Caps at Top**

- **ART 335 KO-7038/34133521** Agate gray, similar to RAL 7038 (pack of 5).
- **ART 335 KO-6027/34133522** Light green, similar to RAL 6027 (pack of 5).
- **ART 335 KO-1016/34133523** Sulphur yellow, similar to RAL 1016 (pack of 5).
- **ART 335 KO-7037/34133524** Dusty gray, similar to RAL 7037 (pack of 5).
- **ART 335 KO-3000/34133525** Flame red, similar to RAL 3000 (pack of 5).
- **ART 335 KO-5015/34133527** Sky blue, similar to RAL 5015 (pack of 5).
- **ART 335 KO-IR/34133526** Black, infrared-permissive, (pack of 5).

**KU = Caps at Bottom**

- **ART 335 KU-7038/34133531** Agate gray, similar to RAL 7038 (pack of 5).
- **ART 335 KU-6027/34133532** Light green, similar to RAL 6027 (pack of 5).
- **ART 335 KU-1016/34133533** Sulphur yellow, similar to RAL 1016 (pack of 5).
- **ART 335 KU-7037/34133534** Dusty gray, similar to RAL 7037 (pack of 5).
- **ART 335 KU-3000/34133535** Flame red, similar to RAL 3000 (pack of 5).
- **ART 335 KU-5015/34133537** Sky blue, similar to RAL 5015 (pack of 5).







**Arteb 555 BE 30 / 60**

External Dimensions: L165 x W92 x H30mm

**Standard Features**

- **ART 555 DIS w/BE 30/34155582** Enclosure for display applications. Lid, base, battery compartment BE 30 (for 2-AA batteries), and fitted tool-operated snap locks for caps.
- **ART 555 DIS w/BE 60/34155592** Enclosure for display applications. Lid, base, battery compartment BE 60 (for 4-AA or 2-9V batteries), and fitted tool-operated snap locks for caps.
- **ART 555 F w/BE 30/34155581** Enclosure includes lid, base, battery compartment BE 30 (for 2-AA batteries), and fitted tool-operated snap locks for caps.
- **ART 555 F w/BE 60/34155591** Enclosure includes lid, base, battery compartment BE 60 (for 4-AA or 2-9V batteries), and fitted tool-operated snap locks for caps.

**Accessories**

- **ART 555-DI/34155551** Gasket set (pack of 5).
- **ART 500-DIS/34150041** Clear Display Screen (69.5 x 29.5 x 2mm) pack of 5.
- **ART-SV-HB-7038/34155573** Hand-operated Snap Lock, pack of 10.
- **ART-SV-SR-7038/34155572** Blocking Snap Lock, pack of 10.
- **ASC 1/34090010** Belt clip.
- **ART 1230/34333574** Dismantling tool.

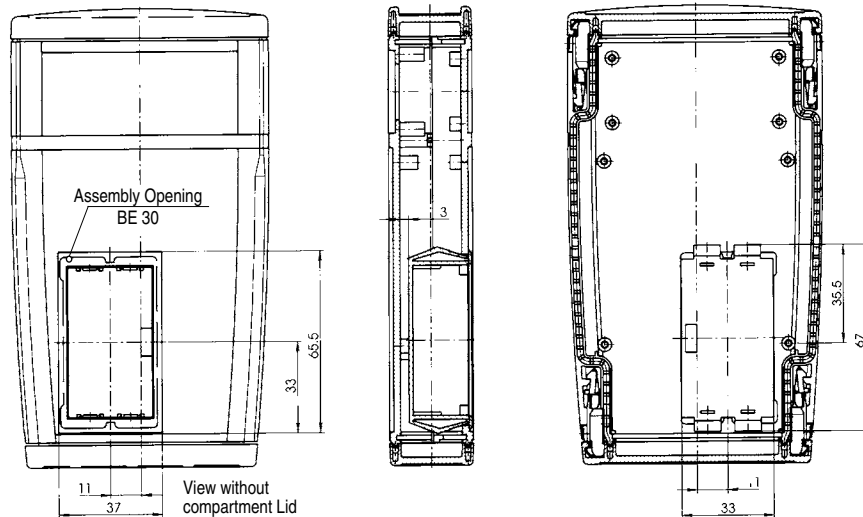
**KO = Caps at Top**

- **ART 555 KO-7038/34155521** Agate gray, similar to RAL 7038 (pack of 5).
- **ART 555 KO-6027/34155522** Light green, similar to RAL 6027 (pack of 5).
- **ART 555 KO-1016/34155523** Sulphur yellow, similar to RAL 1016 (pack of 5).
- **ART 555 KO-7037/34155524** Dusty gray, similar to RAL 7037 (pack of 5).
- **ART 555 KO-3000/34155525** Flame red, similar to RAL 3000 (pack of 5).
- **ART 555 KO-5015/34155527** Sky blue, similar to RAL 5015 (pack of 5).
- **ART 555 KO-IR/34155526** Black, infrared-permissive, (pack of 5).

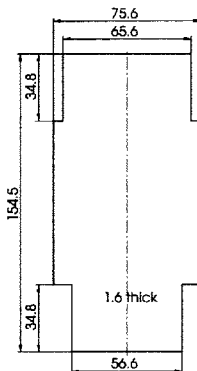
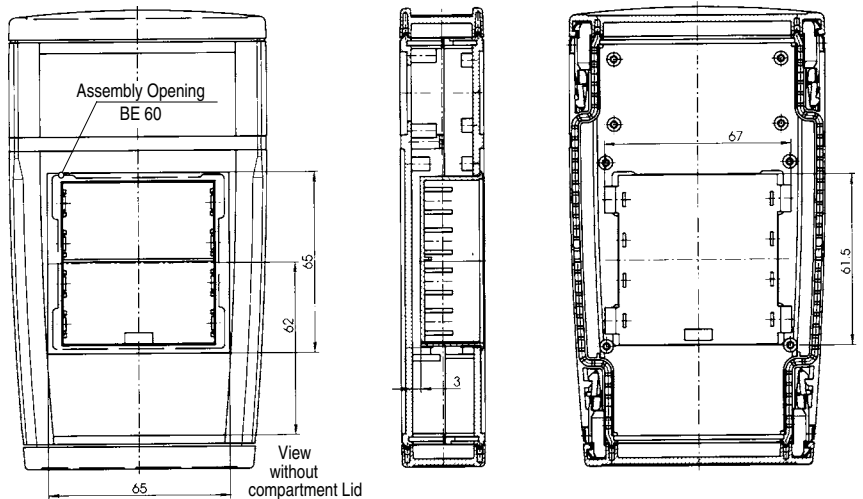
**KU = Caps at Bottom**

- **ART 555 KU-7038/34155531** Agate gray, similar to RAL 7038 (pack of 5).
- **ART 555 KU-6027/34155532** Light green, similar to RAL 6027 (pack of 5).
- **ART 555 KU-1016/34155533** Sulphur yellow, similar to RAL 1016 (pack of 5).
- **ART 555 KU-7037/34155534** Dusty gray, similar to RAL 7037 (pack of 5).
- **ART 555 KU-3000/34155535** Flame red, similar to RAL 3000 (pack of 5).
- **ART 555 KU-5015/34155537** Sky blue, similar to RAL 5015 (pack of 5).

**Art 555 ... BE 30**

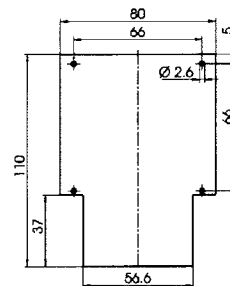


**Art 555 ... BE 60**

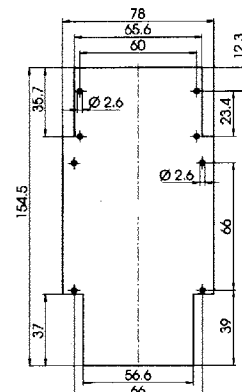


Top Level 1

**Maximum PCB Dimensions**



Top Level 2



Bottom

### Accessories

- **ART 555 BTU 1/34155541** Battery Compartment Dividing Wall, space for three AA batteries

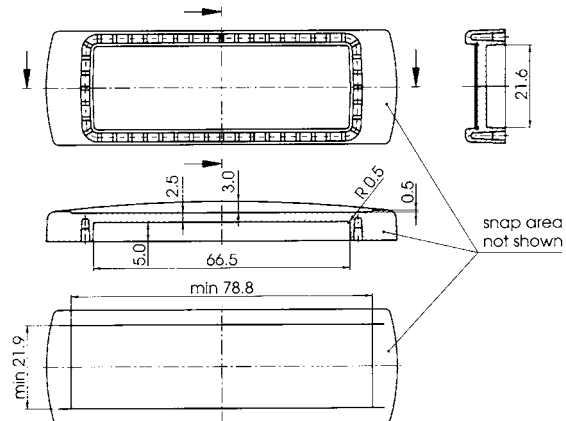
#### KO = Caps at Top

- **ART 555 KO-7038/34155521** Agate gray, similar to RAL 7038 (pack of 5).
- **ART 555 KO-6027/34155522** Light green, similar to RAL 6027 (pack of 5).
- **ART 555 KO-1016/34155523** Sulphur yellow, similar to RAL 1016 (pack of 5).
- **ART 555 KO-7037/34155524** Dusty gray, similar to RAL 7037 (pack of 5).
- **ART 555 KO-3000/34155525** Flame red, similar to RAL 3000 (pack of 5).
- **ART 555 KO-5015/34155527** Sky blue, similar to RAL 5015 (pack of 5).
- **ART 555 KO-IR/34155526** Black, infrared-permissive, (pack of 5).

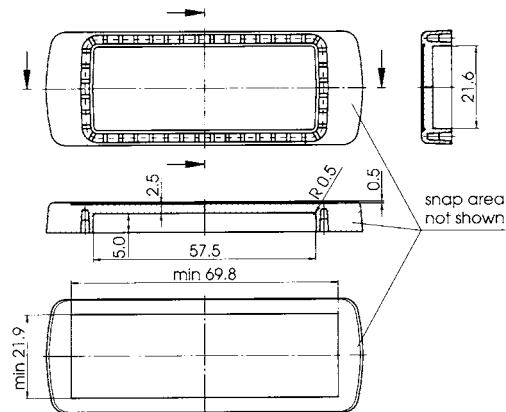
#### KU = Caps at Bottom

- **ART 555 KU-7038/34155531** Agate gray, similar to RAL 7038 (pack of 5).
- **ART 555 KU-6027/34155532** Light green, similar to RAL 6027 (pack of 5).
- **ART 555 KU-1016/34155533** Sulphur yellow, similar to RAL 1016 (pack of 5).
- **ART 555 KU-7037/34155534** Dusty gray, similar to RAL 7037 (pack of 5).
- **ART 555 KU-3000/34155535** Flame red, similar to RAL 3000 (pack of 5).
- **ART 555 KU-5015/34155537** Sky blue, similar to RAL 5015 (pack of 5).

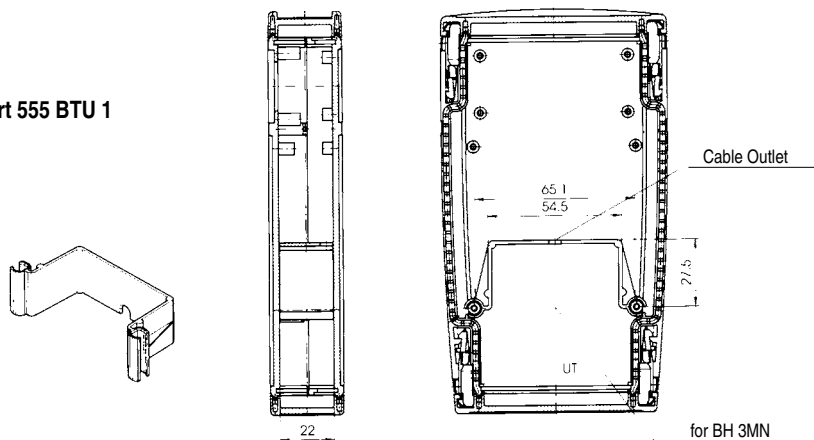
### Cap at Top



### Cap at Bottom



### Art 555 BTU 1





**Standard Features**

- **ART 655 DIS/34165512** Lid and base for display applications, including tool operated snap locks for caps.
- **ART 655 F/34165511** Lid and base, with continuous membrane area, including tool-operated snap locks for caps.

**Accessories**

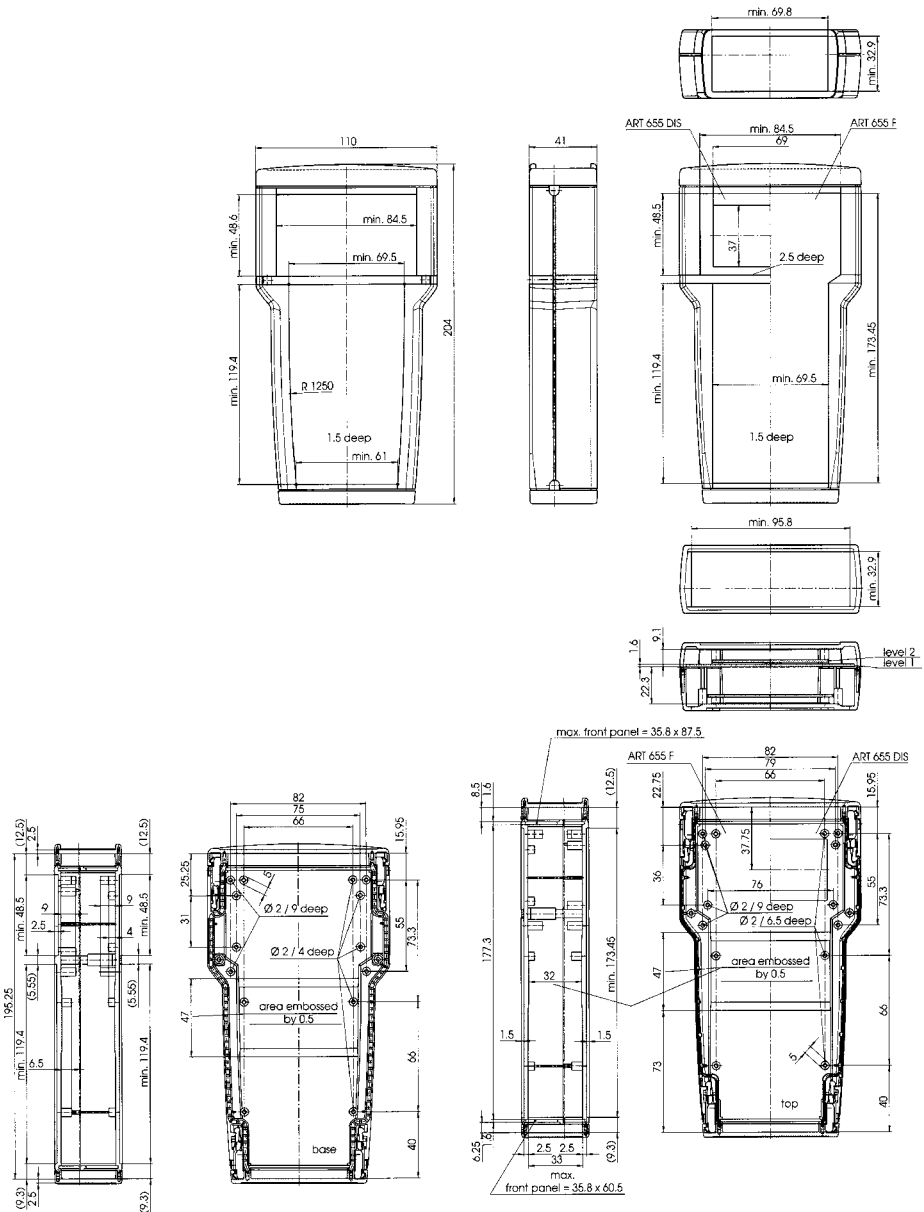
- **ART 655-DI/34165551** Gasket set (pack of 5).
- **ART 600-DIS/34160041** Clear Display screen (84.5 x 48.5 x 2mm) pack of 5.
- **ART 655 BEU-2MN/34165561** Battery shaft for two AA batteries or one 9V block battery, pack of 5.
- **ART-SV-HB-7038/34155573** Hand operated, snap lock, pack of 10.
- **ART-SV-SR-7038/3415572** Blocking snap lock, pack of 10.
- **ASC 1/34090010** Belt clip.
- **ART 1230/34433574** Dismantling tool.
- **ART 655 BTU 1/34165541** Battery Compartment Dividing Wall, space for four AA batteries or two 9V batteries.
- **ART 655 BTU 2/34165542** Battery Compartment Dividing Wall, space for six AA batteries.

**KO = Caps at Top**

- **ART 655 KO-7038/34165521** Agate gray, similar to RAL 7038 (pack of 5).
- **ART 655 KO-6027/34165522** Light green, similar to RAL 6027 (pack of 5).
- **ART 655 KO-1016/34165523** Sulphur yellow, similar to RAL 1016 (pack of 5).
- **ART 655 KO-7037/34165524** Dusty gray, similar to RAL 7037 (pack of 5).
- **ART 655 KO-3000/34165525** Flame red, similar to RAL 3000 (pack of 5).
- **ART 655 KO-5015/34165527** Sky blue, similar to RAL 5015 (pack of 5).
- **ART 655 KO-IR/34165526** Black, infrared-permissive, (pack of 5).

**KU = Caps at Bottom**

- **ART 655 KU-7038/34165531** Agate gray, similar to RAL 7038 (pack of 5).
- **ART 655 KU-6027/34165532** Light green, similar to RAL 6027 (pack of 5).
- **ART 655 KU-1016/34165533** Sulphur yellow, similar to RAL 1016 (pack of 5).
- **ART 655 KU-7037/34165534** Dusty gray, similar to RAL 7037 (pack of 5).
- **ART 655 KU-3000/34165535** Flame red, similar to RAL 3000 (pack of 5).
- **ART 655 KU-5015/34165537** Sky blue, similar to RAL 5015 (pack of 5).







**Arteb 655 Accessories**

**Accessories**

- **ART 655 BTU 1/34165541** Battery Compartment Dividing Wall, space for four AA batteries or two 9V batteries.
- **ART 655 BTU 2/34165542** Battery Compartment Dividing Wall, space for six AA batteries.

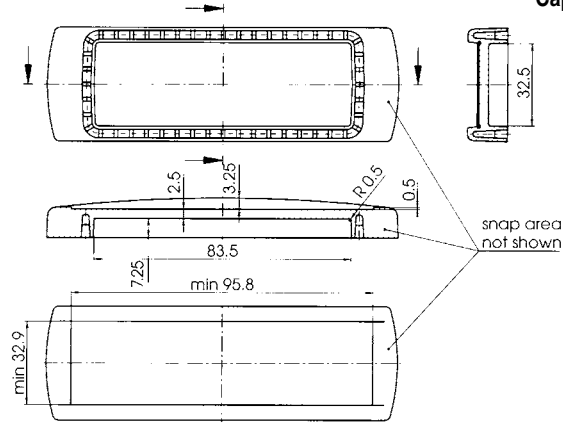
**KO = Caps at Top**

- **ART 655 KO-7038/34465521** Agate gray, similar to RAL 7038 (pack of 5).
- **ART 655 KO-6027/34165522** Light green, similar to RAL 6027 (pack of 5).
- **ART 655 KO-1016/34165523** Sulphur yellow, similar to RAL 1016 (pack of 5).
- **ART 655 KO-7037/34165524** Dusty gray, similar to RAL 7037 (pack of 5).
- **ART 655 KO-3000/34165525** Flame red, similar to RAL 3000 (pack of 5).
- **ART 655 KO-5015/34165527** Sky blue, similar to RAL 5015 (pack of 5).
- **ART 655 KO-IR/34165526** Black, infrared-permissive, (pack of 5).

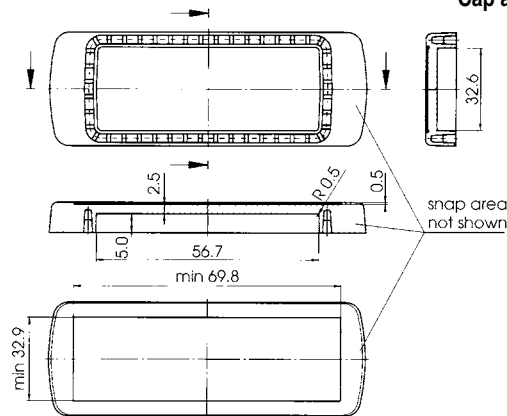
**KU = Caps at Bottom**

- **ART 655 KU-7038/34165531** Agate gray, similar to RAL 7038 (pack of 5).
- **ART 655 KU-6027/34165532** Light green, similar to RAL 6027 (pack of 5).
- **ART 655 KU-1016/34165533** Sulphur yellow, similar to RAL 1016 (pack of 5).
- **ART 655 KU-7037/34165534** Dusty gray, similar to RAL 7037 (pack of 5).
- **ART 655 KU-3000/34165535** Flame red, similar to RAL 3000 (pack of 5).
- **ART 655 KU-5015/34165537** Sky blue, similar to RAL 5015 (pack of 5).

**Cap at Top**

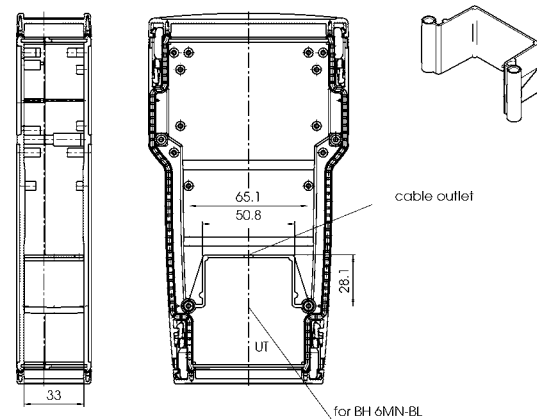
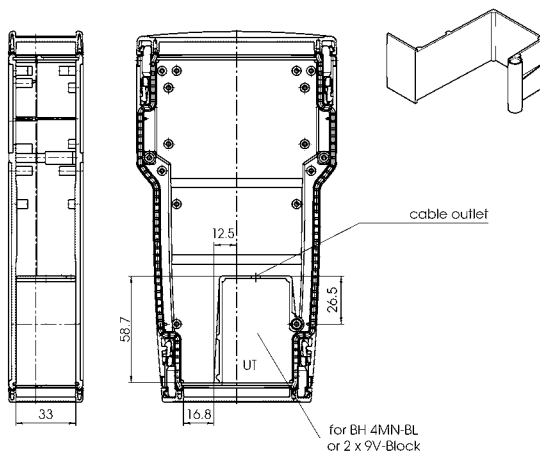


**Cap at Bottom**



**Art 655 BTU 1**

**Art 655 BTU 2**



Dimensional Drawings

#### Standard Features

- **ART 865 DIS/34186512** Lid and base for display applications, including tool-operated snap locks for caps.
- **ART 865 F/34186511** Lid and base with continuous membrane area, including tool-operated snap locks for cap.

#### Accessories

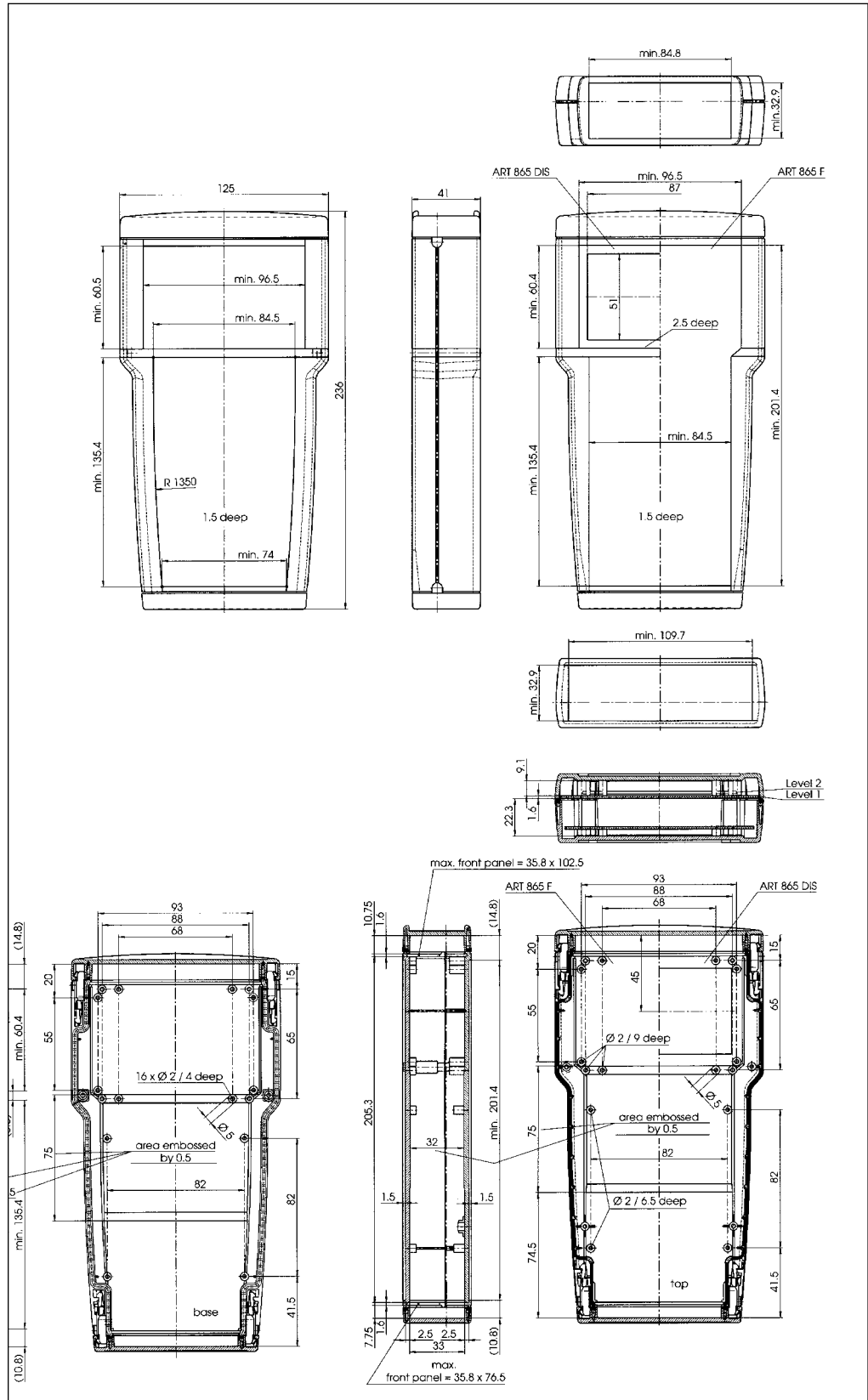
- **ART 865-DI/34186551** Gasket set (5 pieces)
- **ART 800 DIS/34180041** Clear Display screen (96.5 x 60.5 x 2 mm), pack of 5.
- **ART 865 BEU-2MN/34186561** Battery shaft for two AA batteries or one 9V block battery.
- **ART-SV-HB-7038/34155573** Hand-operated Snap lock, pack of 10.
- **ART-SV-SR-7038/34155572** Blocking Snap lock, pack of 10.
- **ASC 1/34090010** Belt clip, Black
- **ART 1230/34333574** Dismantling tool
- **ART 865 BTU 1/34186541** Battery Compartment Dividing Wall, space for four AA batteries or two 9V batteries.
- **ART 865 BTU 2/34186542** Battery Compartment Dividing Wall, space for six AA batteries.
- **ART 865 BTU 3/34186543** Battery Compartment Dividing Wall, space for four or six AA batteries, depending on positioning of dividing wall.

#### KO = Caps at Top

- **ART 865 KO-7038/34186521** Agate gray, similar to RAL 7038 (pack of 5).
- **ART 865 KO-6027/34186522** Light green, similar to RAL 6027 (pack of 5).
- **ART 865 KO-1016/34186523** Sulphur yellow, similar to RAL 1016 (pack of 5).
- **ART 865 KO-7037/34186524** Dusty gray, similar to RAL 7037 (pack of 5).
- **ART 865 KO-3000/34186525** Flame red, similar to RAL 3000 (pack of 5).
- **ART 865 KO-5015/34186527** Sky blue, similar to RAL 5015 (pack of 5).
- **ART 865 KO-IR/34186526** Black, infrared-permissive, (pack of 5).

#### KU = Caps at Bottom

- **ART 865 KU-7038/34186531** Agate gray, similar to RAL 7038 (pack of 5).
- **ART 865 KU-6027/34186532** Light green, similar to RAL 6027 (pack of 5).
- **ART 865 KU-1016/34186533** Sulphur yellow, similar to RAL 1016 (pack of 5).
- **ART 865 KU-7037/34186534** Dusty gray, similar to RAL 7037 (pack of 5).
- **ART 865 KU-3000/34186535** Flame red, similar to RAL 3000 (pack of 5).
- **ART 865 KU-5015/34186537** Sky blue, similar to RAL 5015 (pack of 5).





**Arteb 865 BE**

External Dimensions: L236 x W125 x H41

**Standard Features**

- **ART 865 DIS w/BE 30/34186582** Enclosure for display applications. Lid, base, battery compartment BE 30 (for 2-AA batteries), and fitted tool-operated snap locks for caps.
- **ART 865 DIS w/BE 60/34186592** Enclosure for display applications. Lid, base, battery compartment BE 60 (for 4-AA or 2-9V batteries), and fitted tool-operated snap locks for caps.
- **ART 865 F w/BE 30/34186581** Enclosure includes lid, base, battery compartment BE 30 (for 2-AA batteries), and fitted tool-operated snap locks for caps.
- **ART 865 F w/BE 60/34186591** Enclosure includes lid, base, battery compartment BE 60 (for 4-AA or 2-9V batteries), and fitted tool-operated snap locks for caps.

**Accessories**

- **ART 865-DI/34186551** Gasket set (5 pieces)
- **ART 800 DIS/34180041** Clear Display screen (96.5 x 60.5 x 2 mm), pack of 5.
- **ART-SV-HB-7038/34155573** Hand-operated Snap lock, pack of 10.
- **ART-SV-SR-7038/34155572** Blocking Snap lock, pack of 10.
- **ASC 1/34090010** Belt clip. Black
- **ART 1230/34333571** Dismantling tool

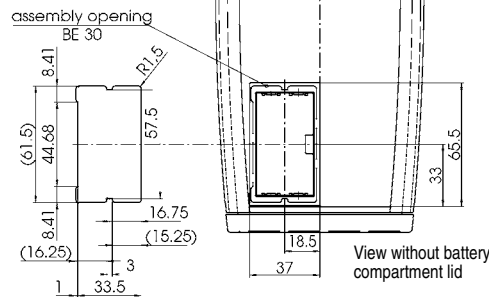
**KO = Caps at Top**

- **ART 865 KO-7038/34186521** Agate gray, similar to RAL 7038 (pack of 5).
- **ART 865 KO-6027/34186522** Light green, similar to RAL 6027 (pack of 5).
- **ART 865 KO-1016/34186523** Sulphur yellow, similar to RAL 1016 (pack of 5).
- **ART 865 KO-7037/34186524** Dusty gray, similar to RAL 7037 (pack of 5).
- **ART 865 KO-3000/34186525** Flame red, similar to RAL 3000 (pack of 5).
- **ART 865 KO-5015/34186527** Sky blue, similar to RAL 5015 (pack of 5).
- **ART 865 KO-IR/34186526** Black, infrared-permissive, (pack of 5).

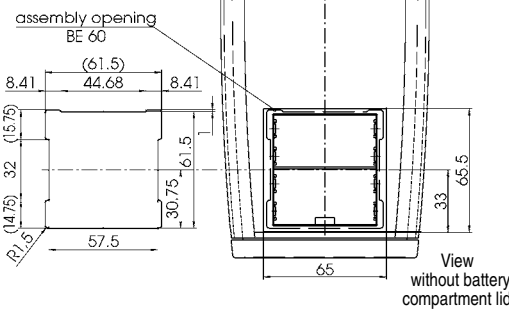
**KU = Caps at Bottom**

- **ART 865 KU-7038/34186531** Agate gray, similar to RAL 7038 (pack of 5).
- **ART 865 KU-6027/34186532** Light green, similar to RAL 6027 (pack of 5).
- **ART 865 KU-1016/34186533** Sulphur yellow, similar to RAL 1016 (pack of 5).
- **ART 865 KU-7037/34186534** Dusty gray, similar to RAL 7037 (pack of 5).
- **ART 865 KU-3000/34186535** Flame red, similar to RAL 3000 (pack of 5).
- **ART 865 KU-5015/34186537** Sky blue, similar to RAL 5015 (pack of 5).

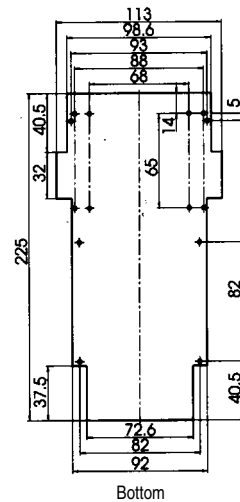
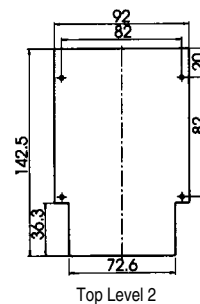
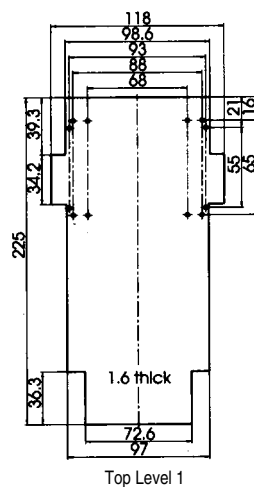
**Art 865 . . . BE 30**



**Art 865 . . . BE 60**



**Maximum PCB Dimensions**



Dimensional Drawings

### Accessories

- **ART 865 BTU 1/34186541** Battery compartment dividing wall, space for four AA batteries or two 9V batteries.
- **ART 865 BTU 2/34186542** Battery compartment dividing wall, space for six AA batteries.
- **ART 865 BTU 3/34186543** Battery compartment dividing wall, space for four or six AA batteries, depending on positioning of dividing wall.

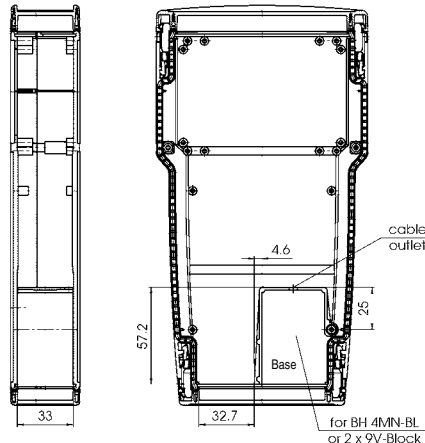
### KO = Caps at Top

- **ART 865 KO-7038/34186521** Agate gray, similar to RAL 7038 (pack of 5).
- **ART 865 KO-6027/34186522** Light green, similar to RAL 6027 (pack of 5).
- **ART 865 KO-1016/34186523** Sulphur yellow, similar to RAL 1016 (pack of 5).
- **ART 865 KO-7037/34186524** Dusty gray, similar to RAL 7037 (pack of 5).
- **ART 865 KO-3000/34186525** Flame red, similar to RAL 3000 (pack of 5).
- **ART 865 KO-5015/34186527** Sky blue, similar to RAL 5015 (pack of 5).
- **ART 865 KO-IR/34186526** Black, infrared-permissive, (pack of 5).

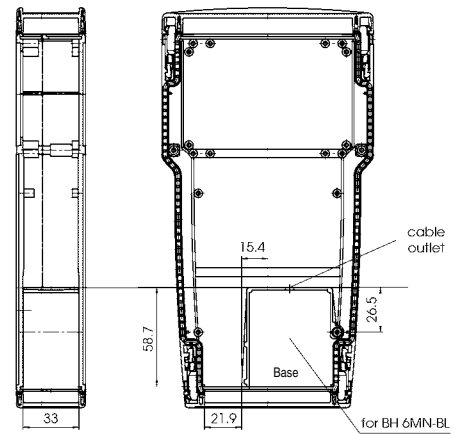
### KU = Caps at Bottom

- **ART 865 KU-7038/34186531** Agate gray, similar to RAL 7038 (pack of 5).
- **ART 865 KU-6027/34186532** Light green, similar to RAL 6027 (pack of 5).
- **ART 865 KU-1016/34186533** Sulphur yellow, similar to RAL 1016 (pack of 5).
- **ART 865 KU-7037/34186534** Dusty gray, similar to RAL 7037 (pack of 5).
- **ART 865 KU-3000/34186535** Flame red, similar to RAL 3000 (pack of 5).
- **ART 865 KU-5015/34186537** Sky blue, similar to RAL 5015 (pack of 5).

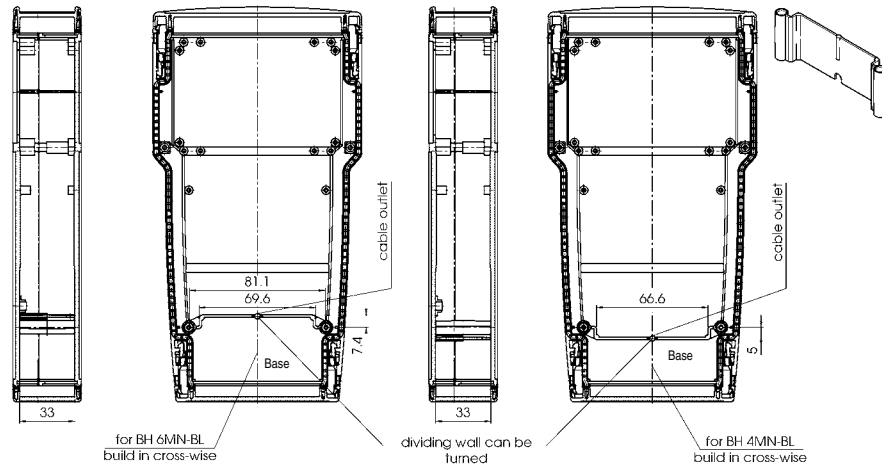
ART 865 BTU 1



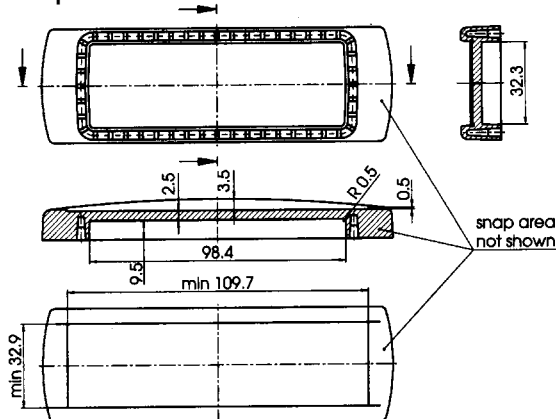
ART 865 BTU 2



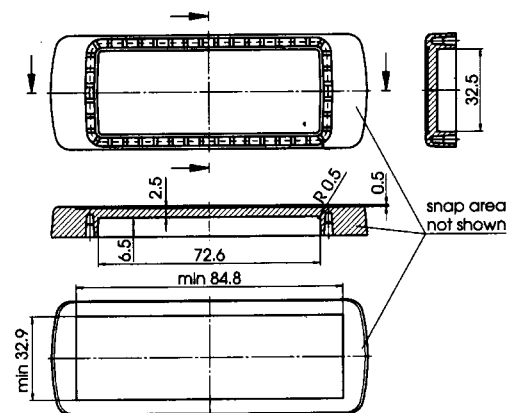
ART 865 BTU 3



Cap at Top



Cap at Bottom





**Arteb Accessories**

**Accessories**

• **ASC 1/34090010** Belt / Set-up Clip-In the closed position, used as a clip for attaching enclosure to a belt or for use as a wall hanging unit. In the open position, used as a set-up clip. Color, black.

• **ART 1230/34333574** Dismantling Tool-releases snaps in the lid and opens the lid and base.

• **Snap Locks** Tool-operated snap locks come standard with each enclosure. For a more convenient way of opening the enclosure (for maintenance, replacing components, or changing batteries) you can order snap locks designed for hand operation. If opening is to be prevented, order blocking snap locks.

• **ART-SV-HB-7038/34155573** Hand-operated Snap Lock (pack of 10).

• **ART-SV-HR-7038/34155572** Blocking Snap Lock (pack of 10).

**Battery Shafts** come with integrated front panel to prevent contact with other built-in components.

• **ART 555 BEU-2MN/34155561** Battery Shaft for two AA batteries or one 9V block battery (pack of 5).

• **ART 655 BEU-2MN/34165561** Battery Shaft for two AA batteries or one 9V block battery (pack of 5).

• **ART 865 BEU-2MN-34186561** Battery Shaft for two AA batteries or one 9V block battery (pack of 5).

**Gasket Sets:**

• **ART 225 DI/34122551** Gasket Set to achieve IP 65 protection classification (pack of 5).

• **ART 335 DI/34133551** Gasket Set to achieve IP 65 protection classification (pack of 5).

• **ART 555 DI/34155551** Gasket Set to achieve IP 65 protection classification (pack of 5).

• **ART 655 DI/34165551** Gasket Set to achieve IP 65 protection classification (pack of 5).

• **ART 865 DI/34186551** Gasket Set to achieve IP 65 protection classification (pack of 5).

**Display Screens:** Unprinted, scratch-resistant coating on one side, with self-adhesive frame. The scratch resistant side cannot be printed or glued.

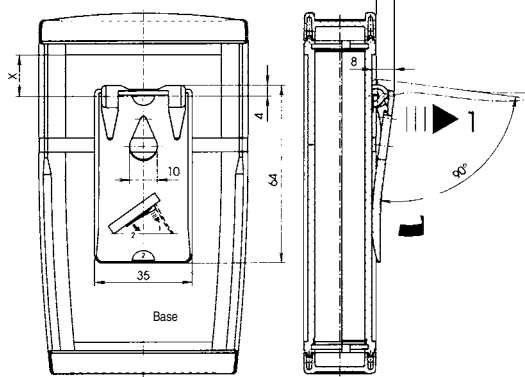
• **ART 300 DIS/34130041** Clear Display Screen for ART 335 DIS, 55.5 x 29.5 x 2mm (pack of 5).

• **ART 500 DIS/34150041** Clear Display Screen for ART 555 DIS, 69.5 x 29.5 x 2mm (pack of 5).

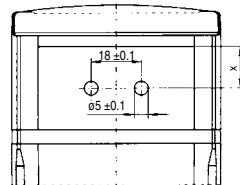
• **ART 600 DIS/34160041** Clear Display Screen for ART 655 DIS, 84.5 x 48.5 x 2mm (pack of 5).

• **ART 800 DIS/34180041** Clear Display Screen for ART 865 DIS, 96.5 x 60.5 x 2mm (pack of 5).

**Belt Clip**

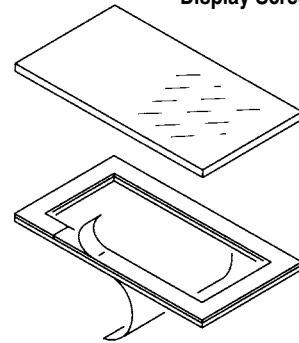


BOPLA - Arteb - Enclosure Assembly

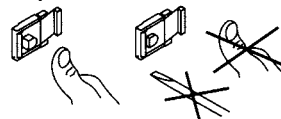


Enclosures	X
ART 225	6.5
ART 335	15
ART 555	15

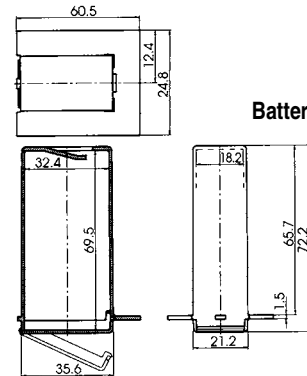
**Display Screen**



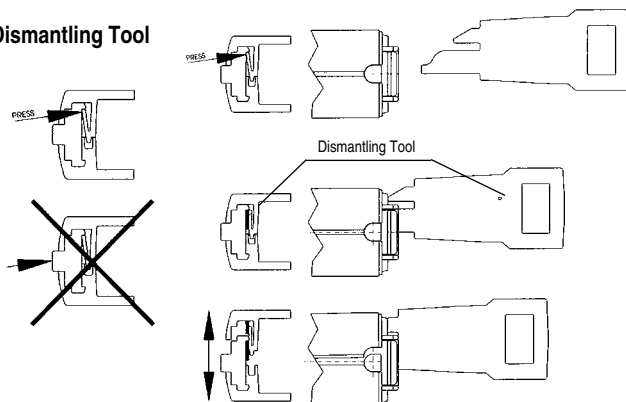
**Snap Locks**



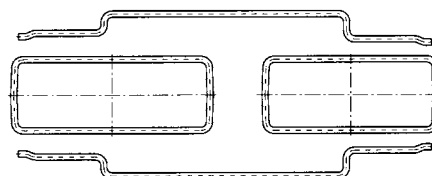
**Battery Shaft**



**Dismantling Tool**



**Gasket Set**



Dimensional Drawings