



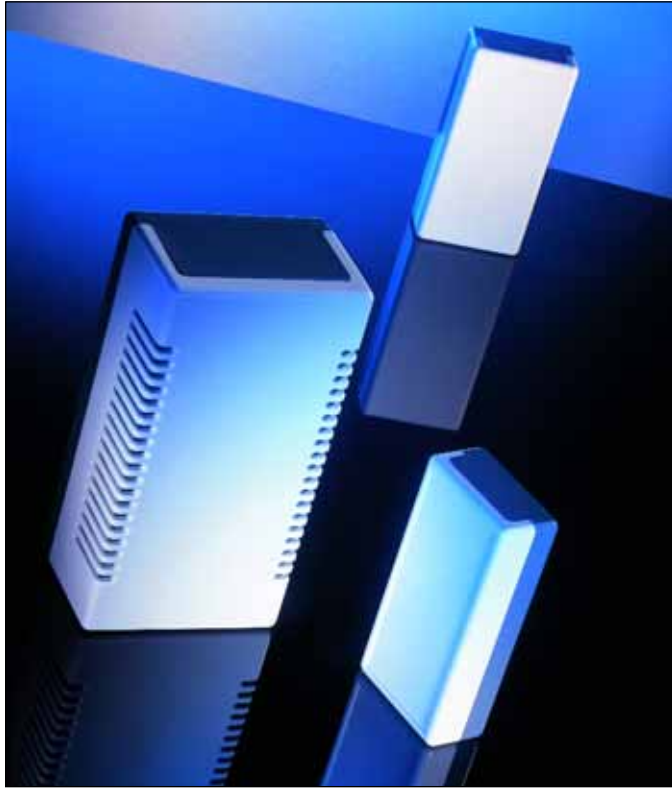
ROSE+BOPLA
ENCLOSURES

A PHOENIX MECANO COMPANY

Element Product Drawings Last Updated 1/6/2006

Distributed by Electro-Stock, Inc.
sales@electrostock.com
630-682-1542 Fax 630-682-1562
<http://www.electrostock.com>

Dimensional Drawings



TECHNICAL DATA:

- Color: Upper section, Light Gray (RAL 7035); Lower section Dark Gray (RAL 7024).
- Material: Polystyrene. See Polystyrene specification sheets in the Technical Information Chapter.
- Protection Classification: IP 40, DIN EN 60529 Dusttight.
- Flammability: UL 94 HB/1.47.
- Surface Resistance: >10¹³ Ohm to DIN 53482

Our popular **Element** series of small plastic boxes features a unique "U" shaped lid/base design, which simplifies electronic component installation and maintenance through the open sides

Element Enclosures

of the lower section. The standard color scheme is a light gray lid and dark gray base. Element enclosures are made of shock resistant Polystyrene and come in 12 sizes. They are ideal for small instruments, PCBs, and many other electronic components.

Screws secure the housing together from the rear. Optional front access lid screws can be used for wall-mount applications. Four internal mounting bosses accept screws for mounting plate. Flame-retardant versions with molded-in plugs are also available.

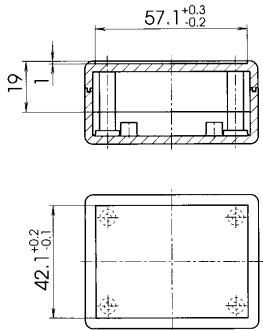
Element Enclosures					
Part Number	Length (Inches/mm)	Width (Inches/mm)	Height (Inches/mm)	Weight	Drawing Page #
E 406	2.56 / 65	1.97 / 50	1.18 / 30	.01 lbs	17-82
E 406 F *	2.56 / 65	1.97 / 50	1.18 / 30	.01 lbs	17-82
E 406 VL	2.56 / 65	1.97 / 50	1.18 / 30	.01 lbs	17-82
E 408	2.56 / 65	1.97 / 50	1.77 / 45	.12 lbs	17-82
E 410	3.94 / 100	1.97 / 50	.98 / 25	.12 lbs	17-82
E 410 F *	3.94 / 100	1.97 / 50	1.02 / 26	.12 lbs	17-82
E 410 FVL *	3.94 / 100	1.97 / 50	1.02 / 26	.12 lbs	17-82
E 420	3.94 / 100	1.97 / 50	1.57 / 40	.15 lbs	17-83
E 420 F *	3.94 / 100	1.97 / 50	1.61 / 41	.15 lbs	17-83
E 420 FVL *	3.94 / 100	1.97 / 50	1.61 / 41	.15 lbs	17-83
E 430	4.72 / 120	2.56 / 65	1.57 / 40	.22 lbs	17-83
E 430 A	4.72 / 120	2.56 / 65	1.57 / 40	.22 lbs	17-83
E 430 F *	4.72 / 120	2.56 / 65	1.62 / 41	.22 lbs	17-83
E 430 FVL *	4.72 / 120	2.56 / 65	1.62 / 41	.22 lbs	17-83
E 434 S	7.40 / 188	4.33 / 110	1.57 / 40	.44 lbs	-
E 435	4.72 / 120	2.56 / 65	2.56 / 65	.30 lbs	17-83
E 440	5.91 / 150	3.15 / 80	2.17 / 55	.40 lbs	17-84
E 440 F *	5.91 / 150	3.15 / 80	2.20 / 56	.40 lbs	17-84
E 440 FVL *	5.91 / 150	3.15 / 80	2.20 / 56	.40 lbs	17-84
E 440 VL	5.91 / 150	3.15 / 80	2.17 / 55	.40 lbs	17-84
E 445	5.91 / 150	3.15 / 80	3.15 / 80	.44 lbs	17-84
E 450	7.40 / 188	4.33 / 110	2.76 / 70	.60 lbs	17-84
E 450 F *	7.40 / 188	4.33 / 110	2.76 / 70	.60 lbs	17-84
E 450 FVL *	7.40 / 188	4.33 / 110	2.79 / 71	.60 lbs	17-84
E 450 VL	7.40 / 188	4.33 / 110	2.79 / 71	.60 lbs	17-84
E 460	7.40 / 188	4.33 / 110	3.94 / 100	.71 lbs	17-84
E 470	7.40 / 188	4.33 / 110	4.72 / 120	.77 lbs	17-84

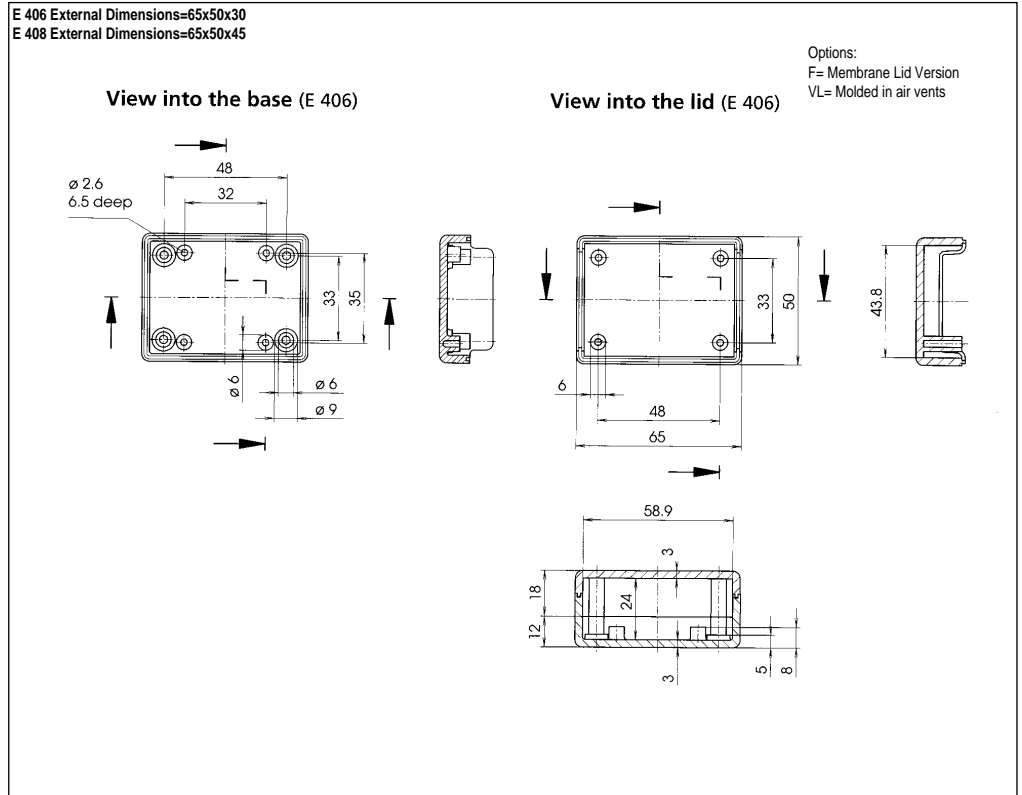
Note: Dimensions are external. Metric is the primary dimension. Inch conversions and weights are for the user's convenience and are for reference only. * = 500 piece minimum order. Accessories shown on drawing page.

- A= Recessed aluminum top plate
- S= Snap fitting lid
- VL= Ventilation slots
- F= Recessed for membrane keypad

E 406/408

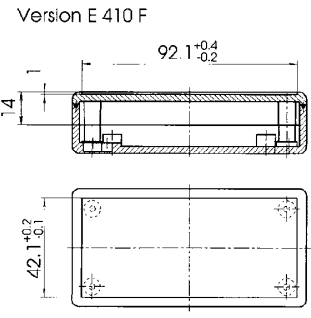
E 406 External Dimensions: L65 x W50 mm

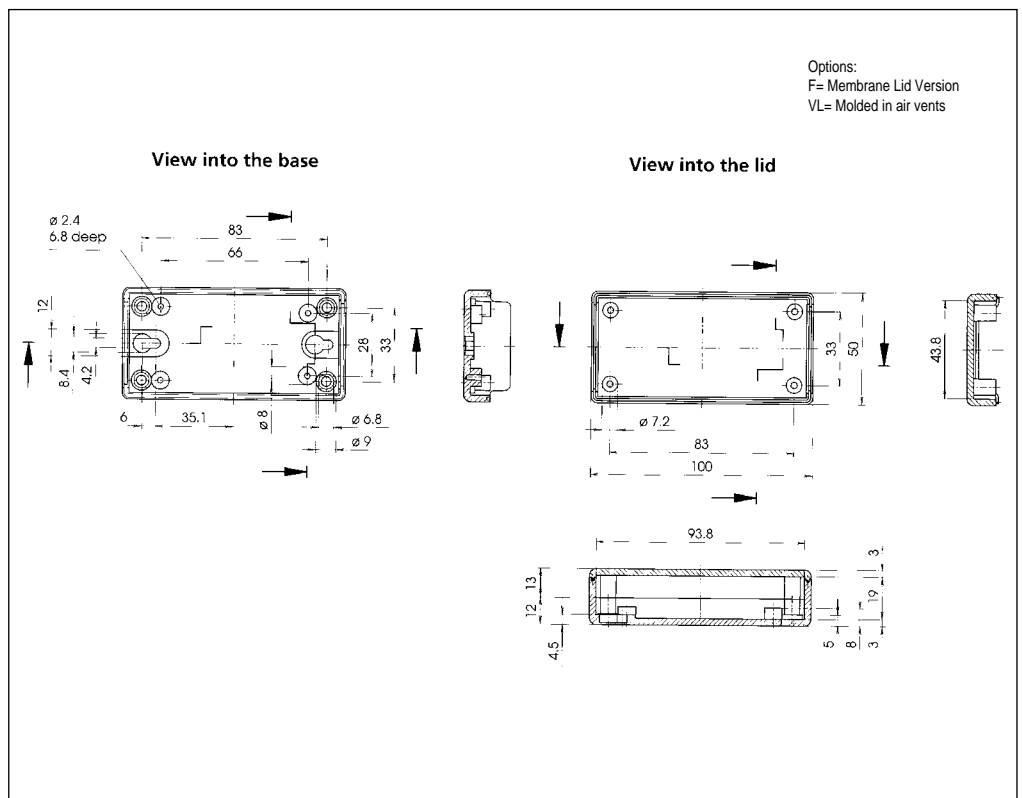
<p>Standard Features</p> <ul style="list-style-type: none"> • Assembly Hardware
<p>Accessories</p> <ul style="list-style-type: none"> • SMP1230 EG Mounting boss screws, Self-tapping • TF1230 Rubber table feet (Set of 4)
<p>Membrane Lid Detail</p> <p>Version E 406 F</p> 



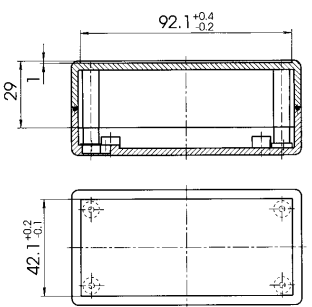
E 410

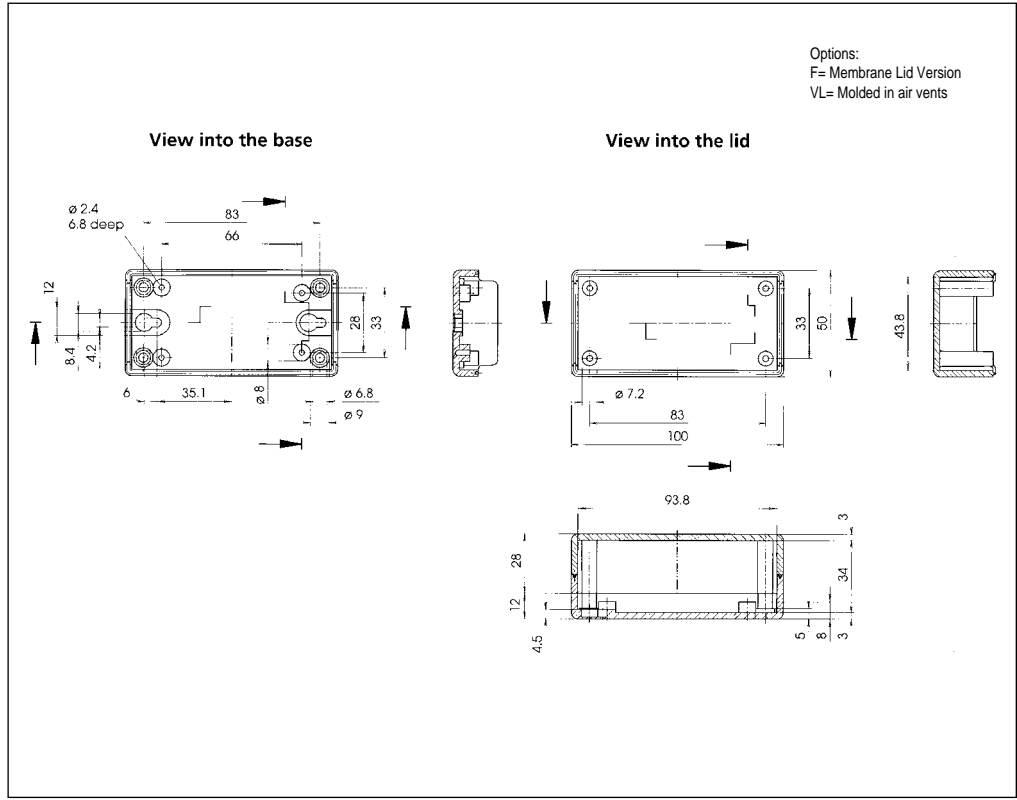
External Dimensions: L100 x W50 x H25 mm

<p>Standard Features</p> <ul style="list-style-type: none"> • Assembly Hardware
<p>Accessories</p> <ul style="list-style-type: none"> • SMP1230 EG Mounting boss screws, Self-tapping • TF1230 Rubber table feet (Set of 4)
<p>Membrane Lid Detail</p> <p>Version E 410 F</p> 

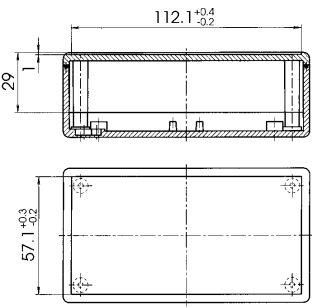


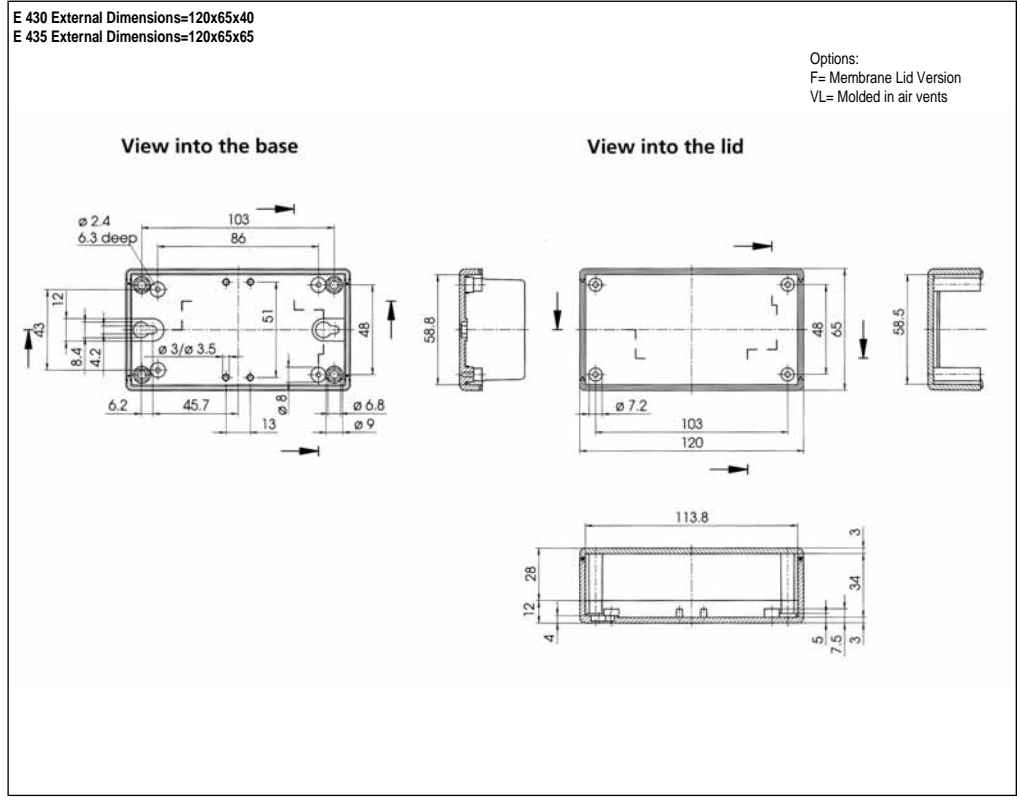
E 420 External Dimensions: L100 x W50 x H40 mm Page 1-24

<p>Standard Features</p> <ul style="list-style-type: none"> • Assembly Hardware
<p>Accessories</p> <ul style="list-style-type: none"> • SMP1230 EG Mounting boss screws, Self-tapping • TF1230 Rubber table feet (Set of 4)
<p>Membrane Lid Detail</p> 



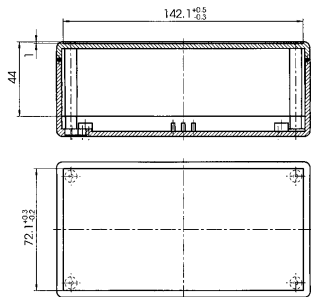
E 430/435 External Dimensions: L120 x W65 mm Page 1-24

<p>Standard Features</p> <ul style="list-style-type: none"> • Assembly Hardware
<p>Accessories</p> <ul style="list-style-type: none"> • MP430E Mounting plate for E 430, 435 • SMP 1230 EG Mounting boss screws • TF1230 Rubber table feet (Set of 4) • DO430E Lid access screws (Set of 4) for E430 • DO435E Lid access screws (Set of 4) for E435
<p>Membrane Lid Detail</p> 

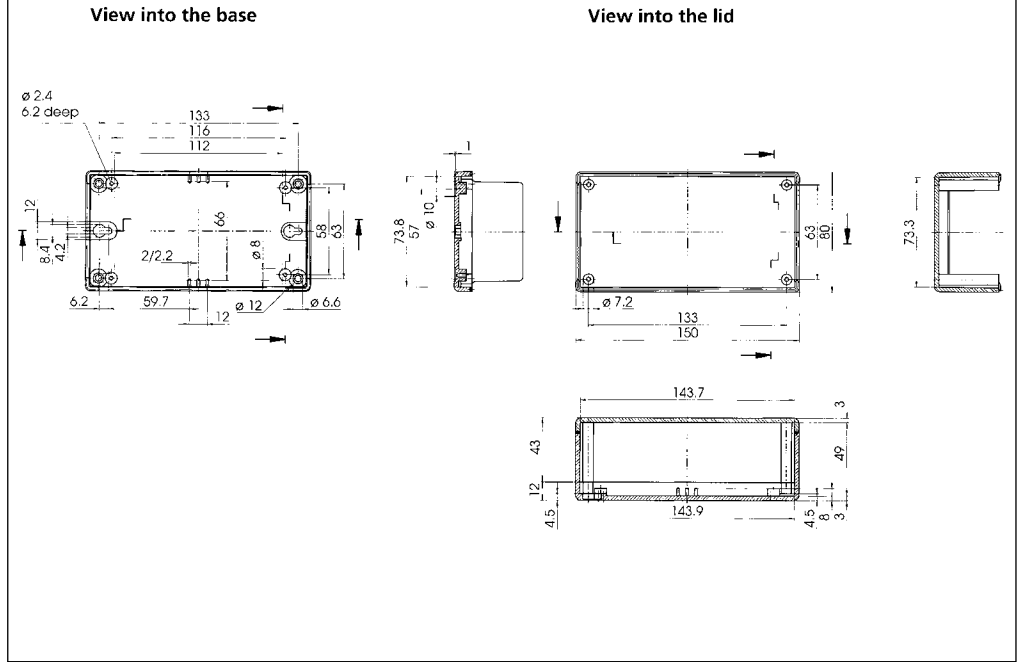


E 440/445

E 440 External Dimensions: L150 x W80 mm

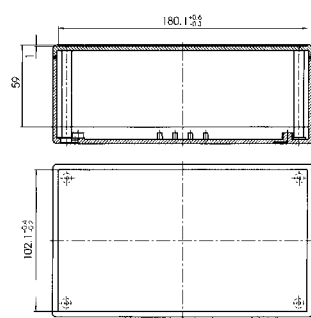
<p>Standard Features</p> <ul style="list-style-type: none"> • Assembly Hardware
<p>Accessories</p> <ul style="list-style-type: none"> • HS440E Carry handle for E 440 • MP440E Mounting plate for E 440, 445 • SMP1230 EG Self-tapping mounting boss screws • TF1230 Rubber table feet (Set of 4) • DO440E Lid access screws (Set of 4) for E440. • DO445E Lid access screws (Set of 4) for E445.
<p>Membrane Lid Detail</p> 

E 440 External Dimensions=150x80x55
 E 445 External Dimensions=150x80x80



E 450/460/470

E 450 External Dimensions: L188 x W110 mm

<p>Standard Features</p> <ul style="list-style-type: none"> • Assembly Hardware
<p>Accessories</p> <ul style="list-style-type: none"> • HS450E Carry handle for E 450 • MP450E Mounting plate for E 450, 460, 470 • SMP1230EG Self-tapping mounting boss screws • TF1230 Rubber table feet (Set of 4) • DO450E Lid access screws (Set of 4) for E450 • DO460E Lid access screws (Set of 4) for E460. • DO470E Lid access screws (Set of 4) for E470.
<p>Membrane Lid Detail</p> 

E 450 External Dimensions=188x110x70
 E 460 External Dimensions=188x110x100
 E 470 External Dimensions=188x110x120

