



ROSE+BOPLA
ENCLOSURES

A PHOENIX MECANO COMPANY

**Fiberglass Watertight
3040/4060
Cabinet Enclosures
Product Drawings
Last Updated 7/8/2008**



Cabinet Enclosures

Rose+Bopla's compression-molded Fiberglass Watertight Cabinets 3040/4060 are the largest of our hostile environment cabinet line.

These rugged cabinets are designed specifically for harsh

Fiberglass 3040/4060 Cabinets

manufacturing conditions and hostile environments and will outlast any steel or stainless steel cabinet in a corrosive or marine development area. The 3040/4060 Cabinets are molded from heat pressed fiberglass matting. This method of manufacturing offers exceptional strength, durability and a high gloss finish.

These cabinets offer a broad spectrum of options for indoor and outdoor usage: distribution cabinets, housing for electronic components used for measurements in weather stations, for control and monitoring system components, outdoor time card badge readers, portable marine instruments and for brewery control monitors.

This enclosure system is available in four versions: standard door with various locking systems; door with viewing window and various locking options; standard door with integrated carrying handle; and door with viewing window and integrated carrying handle.

Both cabinet sizes offer an optional watertight carrying handle, intended to accommodate portable instruments. Also offered is an opaque door or a door with laminated safety glass viewing window. Handles and locks are required and must be ordered separately.

Cabinets come with base and lid, stainless steel hinge pins, stainless steel mounting plate screw inserts (molded-in), and Silicone gasket, resistant to oil and gasoline. Handles, door locks, keys, mounting plates, external brackets, etc. are options and must be ordered separately.



TECHNICAL DATA:

- Color: Agate gray, similar to RAL 7038. Special colors on request. Minimum quantity may be required.
- Material: Compression-molded glassfiber reinforced polyester
- Gasket: Silicone
- Ingress Protection: IP66 to EN 60529
NEMA 4, 4X
- Temperature range: -40°F up to +212°F
with window -40°F up to +176°F
- Impact resistance: >7Nm, EN 50014
- Surface resistance: >10¹² Ohm, VDE 0303/DIN 53482
- Flammability: UL 94 VO/self-extinguishing
- Disruptive strength: 18KV/mm, VDE 0303/DIN 53481
- Toxicity: Halogen-free
- Insulation: Fully insulated, VDE 0100

Fiberglass Watertight Cabinets 3040/4060					
Part #	Length (Inches/mm)	Width (Inches/mm)	Height (Inches/mm)	Weight Lbs.	Drawing Page #
21304000	15.75 / 400	11.81 / 300	7.87 / 200	9.20	17-269
21406000	23.62 / 600	15.75 / 400	9.84 / 250	17.15	17-269
22304000	15.75 / 400	11.81 / 300	7.87 / 200	9.20	17-269
22406000	23.62 / 600	15.75 / 400	9.84 / 250	17.15	17-269
23304000	15.75 / 400	11.81 / 300	7.87 / 200	9.20	17-269
23406000	23.62 / 600	15.75 / 400	9.84 / 250	17.50	17-269
24406000	23.62 / 600	15.75 / 400	9.84 / 250	17.50	17-269

Note: Dimensions are external. Metric is the primary dimension. Inch conversions are for the user's convenience and are for reference only. Accessories shown on drawing page.



Fiberglass Watertight Cabinet with built-in handle.



Cabinet Enclosures

3040 / 4060 Cabinets

Standard Features

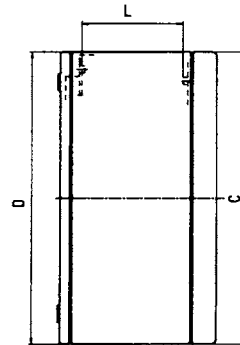
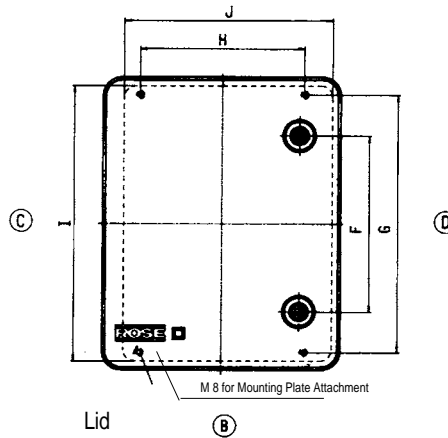
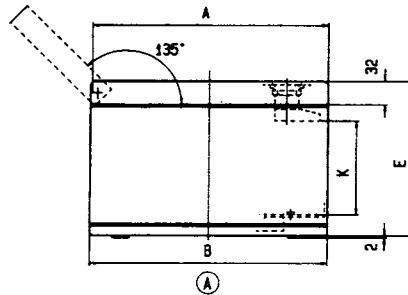
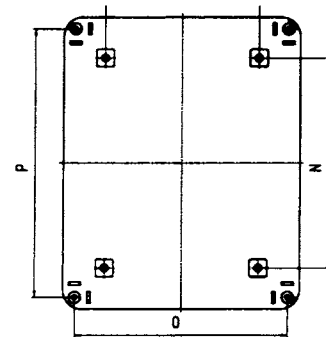
3040 / 4060 Cabinets include: base and lid, stainless steel hinge pins, stainless steel mounting plate screw inserts, (molded-in), oil and gasoline resistant gasket.

- **21304000** Cabinet, opaque door.
- **21406000** Cabinet, opaque door.
- **22304000** Cabinet, glass door.
- **22406000** Cabinet, glass door.
- **23304000** Cabinet, opaque door with handle on top.
- **23406000** Cabinet, opaque door with handle on top.
- **24406000** Cabinet, glass window with handle on top.

Accessories

- **21610001** Door handle (2 Required).
- **21610002** Locking door handle with key (2 required).
- **21610003** Flush triangle door lock (2 required).
- **21610004** Flush square door lock (2 required).
- **21610006** Flush Delaney door lock (2 required).
- **21610007** Flush double ward door lock (2 required).
- **10094323** Delaney metal key.
- **10094324** Double ward metal key.
- **10094325** Triangular metal key.
- **10094326** Square metal key
- **10089205** Internal galvanized steel mounting plate for 3040.
- **10089207** Internal galvanized steel mounting plate for 4060.
- **10052009** External stainless steel wall mount brackets (set of 4).
- **10051058** Mounting plate screws and washers (set of 4). M8 x 12 mm x 1.25 pitch.

Rear Wall



Part #	A	B	C	D	E	F	G	H	I	J	K	L	M	N	O	P
21304000	300	305	400	405	200	285	345	210	370	254	132	169	220	300	270	370
21406000	400	406	600	605	250	478	545	310	566	352	181	217	320	500	370	570

Part #	A	B	C
22203000	153	275	62.5
22406000	250	450	75.0

