



ROSE+BOPLA
ENCLOSURES

A PHOENIX MECANO COMPANY

**InterCard 5000
Enclosures
Product Drawings
Last Updated 6/11/2008**

Dimensional Drawings

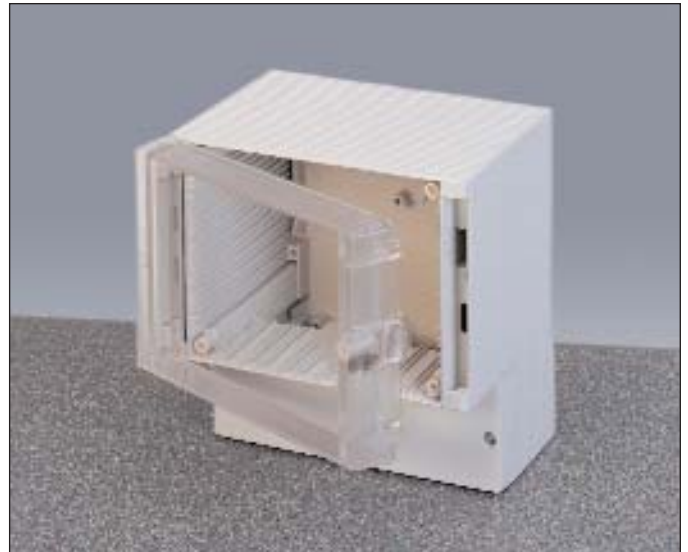
The striking design, large number of horizontal and vertical insertion slots for PC boards, integral wall brackets, and flip-up terminal chamber cover distinguish the InterCard 5000 from

InterCard 5000

comparable enclosure systems. The internal hinge system, integrated in the side walls allows you to choose which way the door opens.

The integrated wall bracket, with three or four point mounting, is located outside the sealed lip so it does not affect the IP 65 ingress protection rating. The terminal compartment cover locks in the open position to make it easy to perform wiring operations and servicing in the terminal compartment.

InterCard comes standard with: base; hinged clear lid with mounted snap lock; terminal compartment cover; screws; and threaded inserts for mounting plates. Molded in light gray ABS plastic. Clear lids are polycarbonate. Accessories include: phenolic mounting plate, anodized aluminum front panel and cylinder lock.



TECHNICAL DATA:

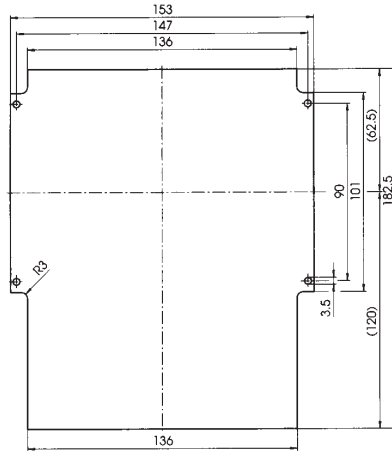
- Color: Light gray, similar to RAL 7035. Special colors available on request, minimum quantity applies.
- Material: ABS, clear polycarbonate lid.
- Gasket: Neoprene.
- Temperature Range: -40°F to +140°F
- Ingress Protection: IP 65 NEMA 12.
- Surface Resistance:
ABS, >10¹⁴ Ohm to DIN 53482.
Polycarbonate, >10¹⁶ Ohm to DIN 53482.
- Disruptive Strength:
ABS, 17KV/mm to DIN 53481.
Polycarbonate, 28KV/mm to DIN 53481.
- Flammability:
ABS UL 94 HB/1.6.
Polycarbonate: UL 94 V2 / 1.14.
- Note: Dimensions are external. Metric is the primary dimension. Inch conversions are for the user's convenience and are for reference only.

InterCard						
Model Number	Part Number	Length (Inches/mm)	Height (Inches/mm)	Depth (Inches/mm)	Weight lbs.	Drawing Page #
IC 5000	07500000	7.79 / 198	8.35 / 212	6.53 / 166	2.611	17-181
Accessories						
FA 5000	27350000	Anodized aluminum front panel with screws			.273	17-181
MP 5000	27450000	Phenolic mounting plate with screws			.165	17-181
SHLO 302	21008310	Cylinder lock with key			.037	-

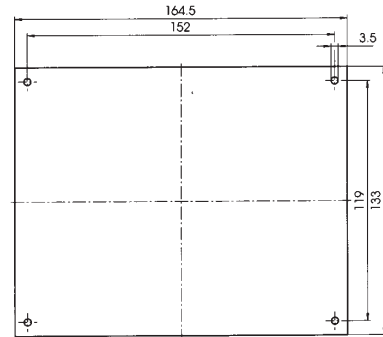
Accessories shown on drawing page.

Standard Features
<ul style="list-style-type: none"> • IC 5000/07500000 InterCard ABS housing with clear polycarbonate lid. Light gray similar to RAL 7035. Includes: base, hinged clear lid mounted with snap lock, terminal compartment cover, screws and threaded inserts for mounting plates. IP 65 protection.
Accessories
<ul style="list-style-type: none"> • SHLO-302/21008310 Cylinder lock. • MP 5000/27450000 Laminated paper mounting plate, 2 mm thick, with assembly screws. • FA 5000/27350000 Anodized aluminum front panel, 2 mm thick, with mounting screws.

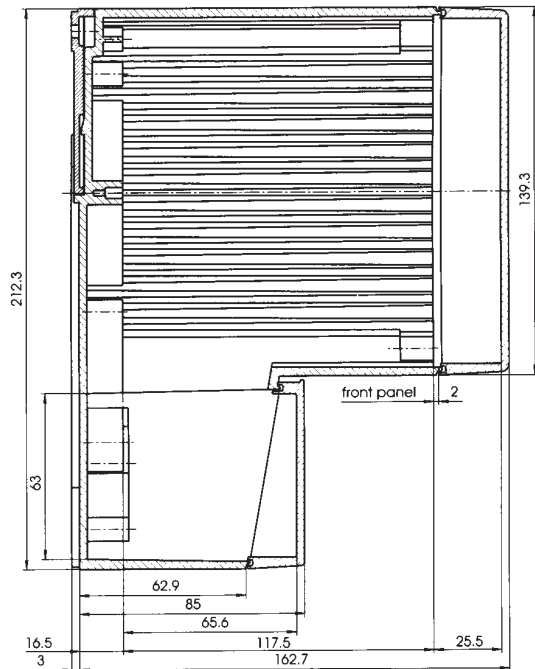
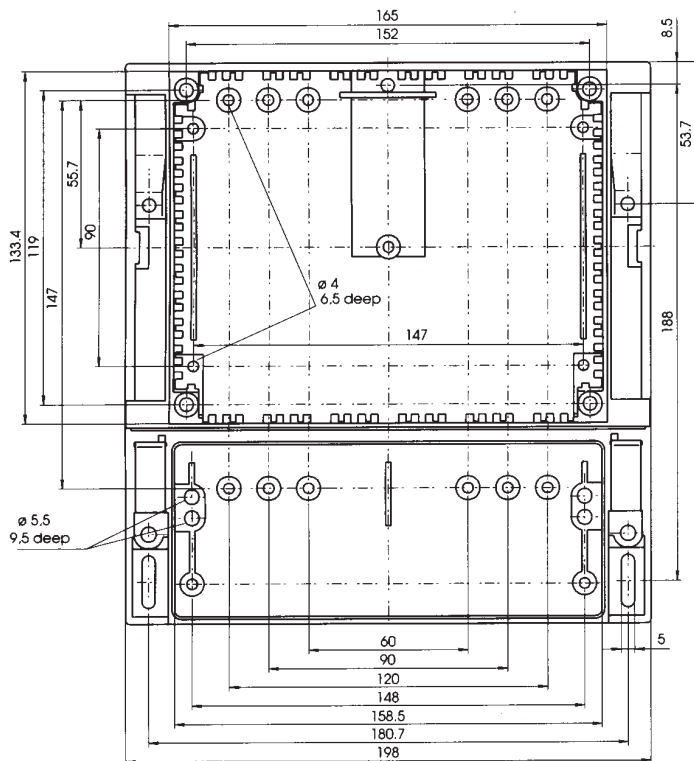
Laminated Paper Mounting Plate



Anodized Aluminum Front Panel



InterCard 5000



Dimensional Drawings