



ROSE+BOPLA
ENCLOSURES

A PHOENIX MECANO COMPANY

LIMANDA
Handheld Enclosures
Product Drawings
Last Updated 6/5/2008

Dimensional Drawings



Designed for electronic data acquisition and operating systems used in medical technology, instrumentation and control, as well as in automation technology, the truly innovative LIMANDA hand-

Limanda Handheld

held operating enclosure system is offered by Rose+Bopla.

LIMANDA is a two-shell panel enclosure offering IP 65 protection and can be used as a mobile, stationary or semi-stationary system for compact electronics in an upright or a horizontal position.

The break-proof polyamide enclosure comes with three interface compartments in the rear to accommodate connectors and electronic components.

Two recessed screw-on chambers enable adaptation to equipment mounting systems or can be used to accommodate ventilation devices.

When intermediate frames are used, LIMANDA's mounting space can be varied in depth. LIMANDA includes a lid and base as standard. Supplementing the standard product line, a wide variety of accessories, including front panels, stationary mounting adapters, handle sets, and expansion frames are also available.

TECHNICAL DATA:

- Color: Black-gray, similar to RAL 7021.
- Ingress Protection: IP 65 to EN 60529. NEMA 12
- Temperature range: -4°F up to +140°F.
- Material: Enclosure : Polyamide.
Front panel: Anodized Aluminum.
Front panels must be ordered separately.
- Gasket: Neoprene
- Surface resistance: 10^{12} Ohm to DIN 53482.
- Flammability: UL 94 V2.
- Disruptive Strength: >7Nm to DIN 50014.

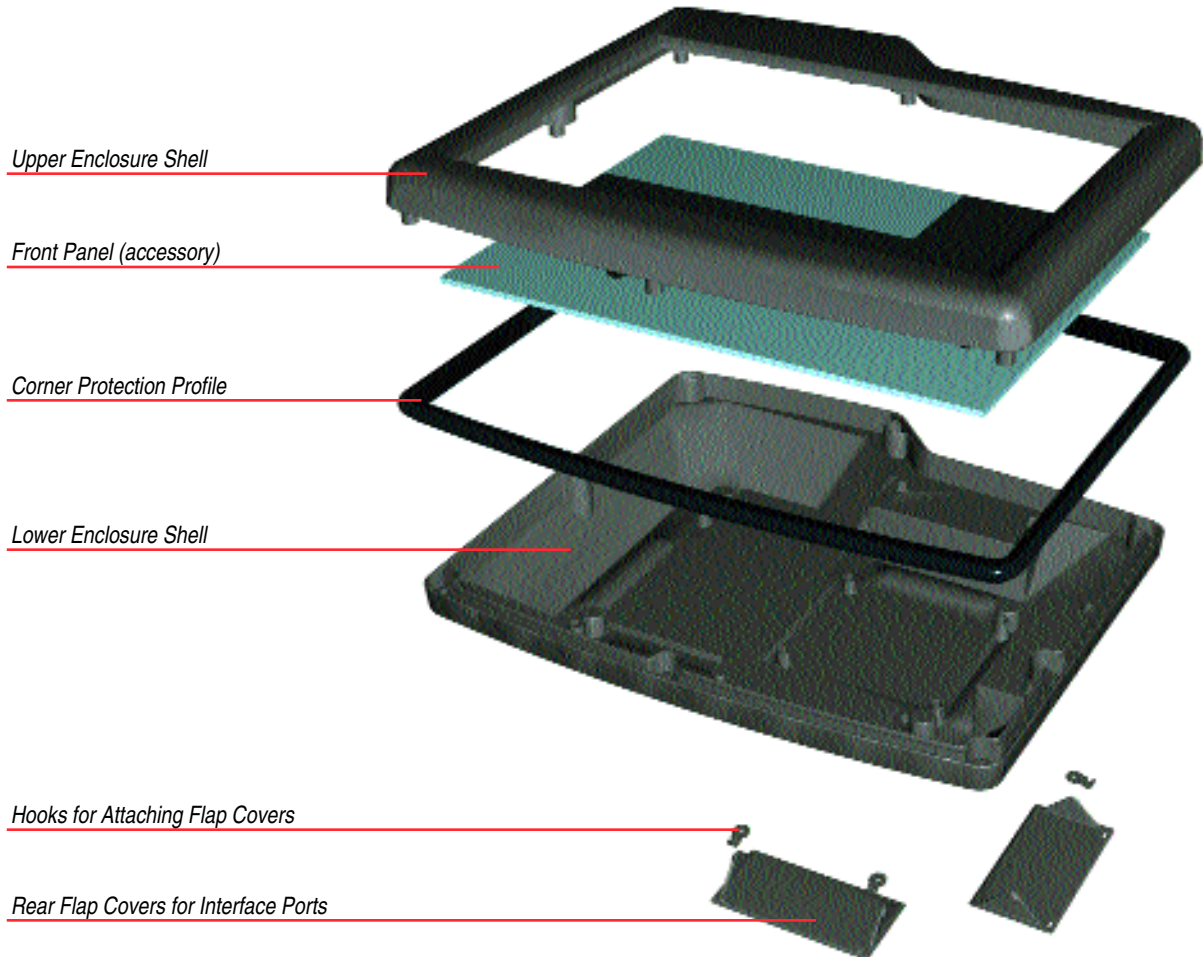
LIMANDA Handheld Operating Enclosure					
Part Number	Model Number	Height (Inches/mm)	Width (Inches/mm)	Depth (Inches/mm)	Drawing
27030200	Limanda II	10.63 / 270	9.76 / 248	2.52 / 64	17-151
27030300	Limanda I	12.24 / 311	11.06 / 281	2.83 / 72	17-152
27030301	Limanda I EMC	12.24 / 311	11.06 / 281	2.83 / 72	17-152
27030317	Limanda I for OP17	12.24 / 311	11.06 / 281	3.82 / 97	17-152

Note: Dimensions are external. Metric is the primary dimension. Inch conversions are for the user's convenience and are for reference only. Accessories shown on drawing page.



◀ *Limanda is ideal for applications requiring mountable components such as: small control equipment; touchscreens; displays up to 10.4"; switches; handwheels; joy sticks; and a large variety of electro-mechanical and electronic components.*

LIMANDA Construction



Limanda enclosure systems enable installation of many manual operation panels.



*Limanda I for OP 17
Supplied ready for installation of the Siemens OP17
Operator Panel without additional fitting materials*



*Limanda II
With fitted command unit*

Limanda

Clockwise from Top Right:

Limanda Handle Set—In mobile applications, the LIMANDA handle provides additional carrying comfort. This accessory is attached by means of a threaded joint to any of the four corners of the enclosure. **Battery Compartment**—Four AAA or six AA batteries can be stored in the handle. **Interface ports**—Locking flaps cover the three rear interface ports. These ports are used for the attachment of interfaces, plug connectors, external components, or PCMCIA connections. **Cable Connection**—LIMANDA can be used in both the horizontal and vertical positions. Cable attachments should lead away from the operator for proper ergonomic and comfortable use. For this reason, sloped surfaces are a standard feature on all four corners, designed to hold cable glands. **Adapter for Stationary Mounting**—LIMANDA can also be used as a stationary control enclosure. The angle can be adjusted with a knurled thumb screw.



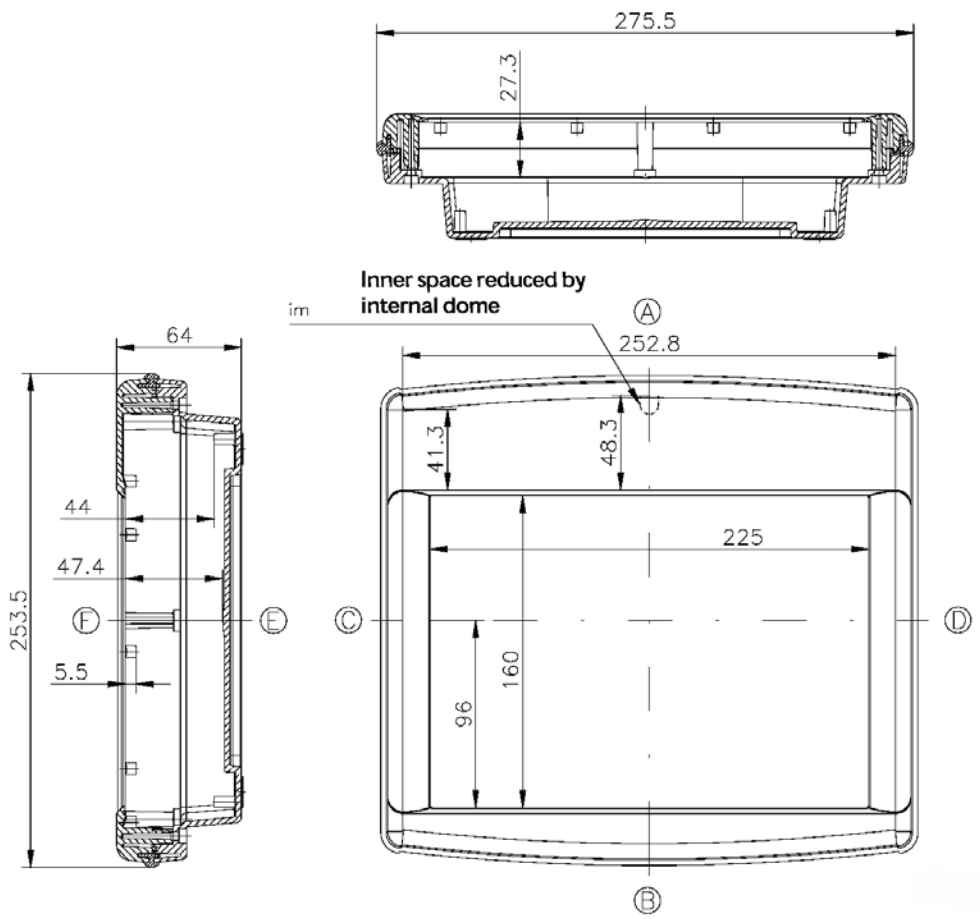


Limanda II

External Dimensions: L270 x W248 x H64 mm

Page 4-28

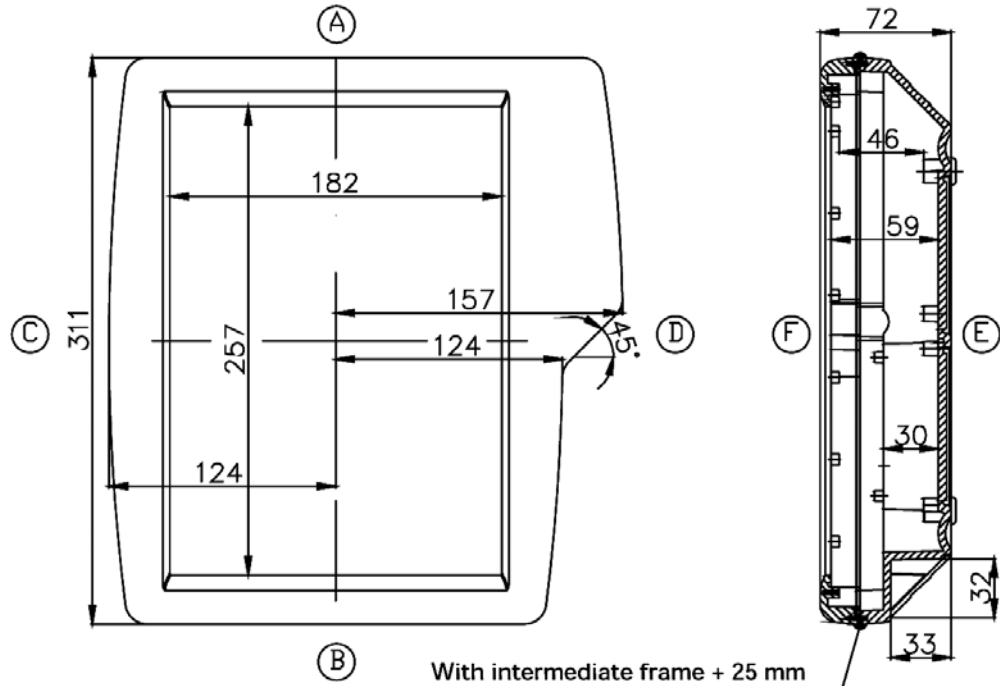
Standard Features
<ul style="list-style-type: none"> • 27030200/Limanda II Polyamide, Limanda handheld operating enclosure consists of an upper shell, lower shell, corner protection profile, rear covers for interface ports, and assembly hooks for attaching rear covers..
Accessories
<ul style="list-style-type: none"> * 27030280 Aluminum Front Panel • 27030282 Mounting set for Siemens TP 170 / TP 070 • 27030084 Limanda holder • 27030087 Table stand (set = 2 pieces) • 27030089 Limanda II wall mount • 08100116 Connection cable with bending protection M 16 • 08100120 Connection cable with bending protection M 20 • 08100125 Connection cable with bending protection M 25 • 50020001 Inclination adapter for mounting directly on wall or machine • 50020002 Inclination adapter for mounting directly onto GT 48/2 tube • 50020003 Inclination adapter for mounting directly onto GTK electronic tube • 50020004 Inclination adapter for mounting directly onto GT/2 or GTK electronic • 50020005 Inclination adapter for Limanda bracket on GT 48/2 tube • 50020006 Inclination adapter for Limanda bracket on GTK electronic tube • 50020007 Inclination adapter for Limanda bracket on wall or machine



Free dimension tolerance to DIN 16901 - 130

Dimensional Drawings

Standard Features
<ul style="list-style-type: none"> • 27030300/Limanda I Polyamide, Limanda handheld operating enclosure consists of an upper shell, lower shell, corner protection profile, rear covers for interface ports, and assembly hooks for attaching rear covers.. • 27030301/Limanda 1 EMC • 27030317/Limanda I for OP17
Accessories
<ul style="list-style-type: none"> • 27030380 Aluminum front panel • 27030390 EMC front panel • 27030381 Expansion frame • 27030088 EMC expansion frame • 27030083 Handle set • 27030084 Limanda holder • 27030085 Carrying strap • 27030086 Wall mount • 85701001 Handle set with 3-stage push button (right-hand version) • 85701002 Handle set with 3-stage push button (left-hand version) • 08100116 Cable connection with bending protection M 16 • 08100120 Cable connection with bending protection M 20 • 08100125 Cable connection with bending protection M 25 • 50020001 Inclination adapter for mounting directly on wall or machine • 50020002 Inclination adapter for mounting directly onto GT 48/2 tube • 50020003 Inclination adapter for mounting directly onto GTK electronic tube • 50020004 Inclination adapter for mounting directly onto GT /2 or GTK electronic • 50020005 Inclination adapter for Limanda bracket on GT 48/2 tube • 50020006 Inclination adapter for Limanda bracket on GTK electronic tube • 50020007 Inclination adapter for Limanda bracket on wall or machine

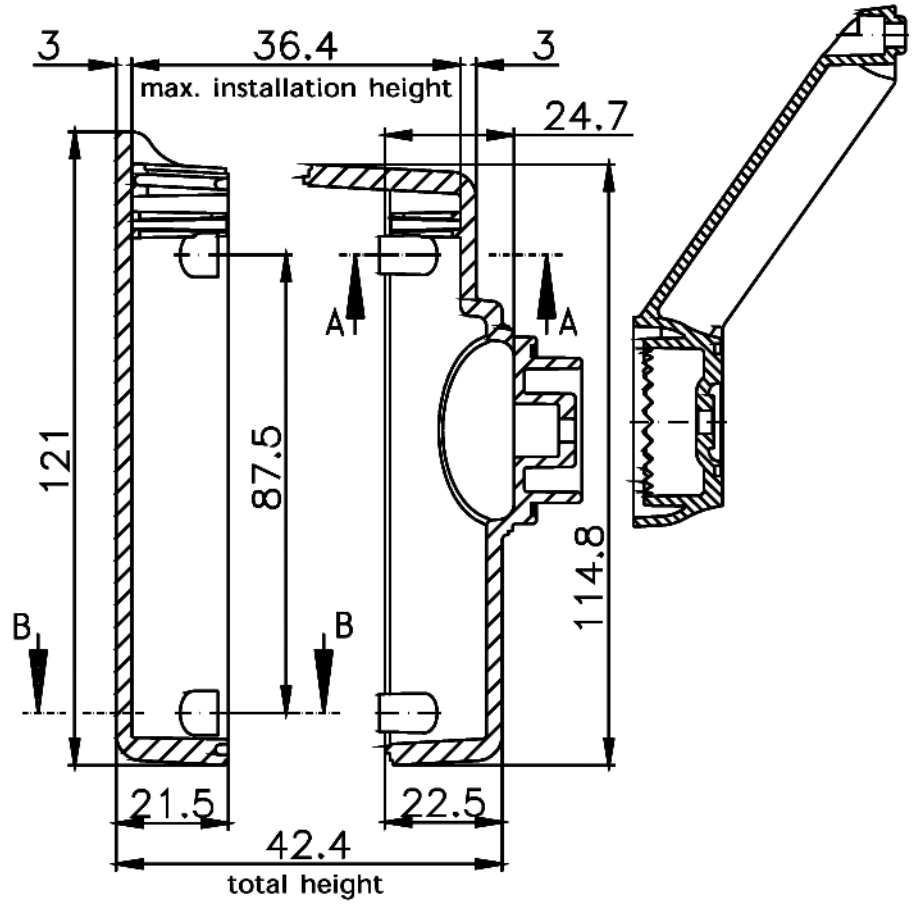


Free dimension tolerance to DIN 16901 - 130

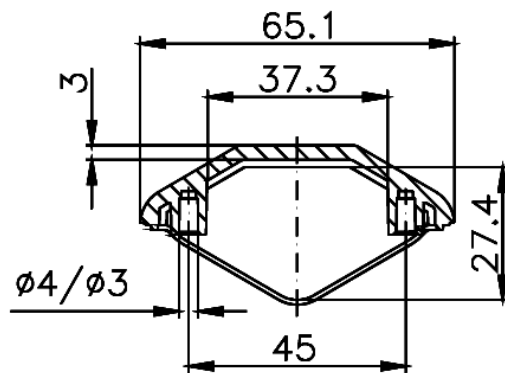


Limanda Handle Set

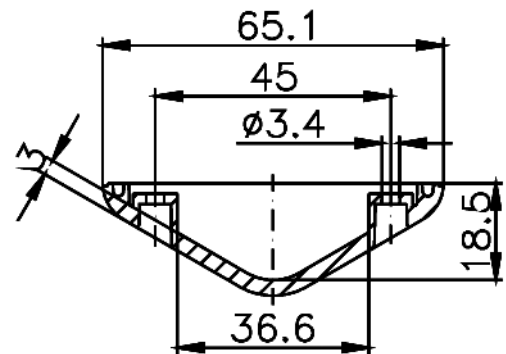
Standard Features
<ul style="list-style-type: none">• 27030083 Limanda I handle set. For installation on all four rear corners of the enclosure.• 85701001 Limanda I handle set. Right-hand version.• 85701002 Limanda I handle set. Left-hand version.
Accessories



Section A-A



Section B-B



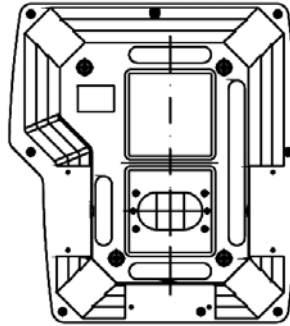
Dimensional Drawings

Accessories

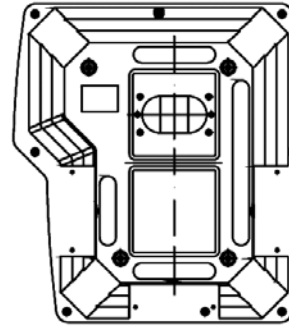
- 50020005 Inclining adapter for mounting directly to GT 48/2 tube
- 50020006 Inclining adapter for mounting directly to GTK electronic tube
- 50020007 Inclining adapter for mounting directly to wall or machine

Note: Specific Limanda drilling map required.

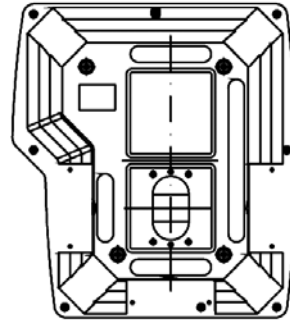
Variant 1



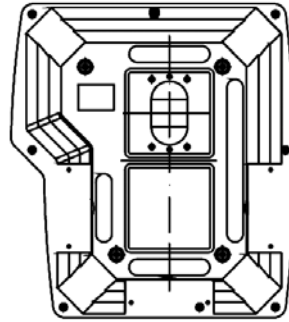
Variant 2



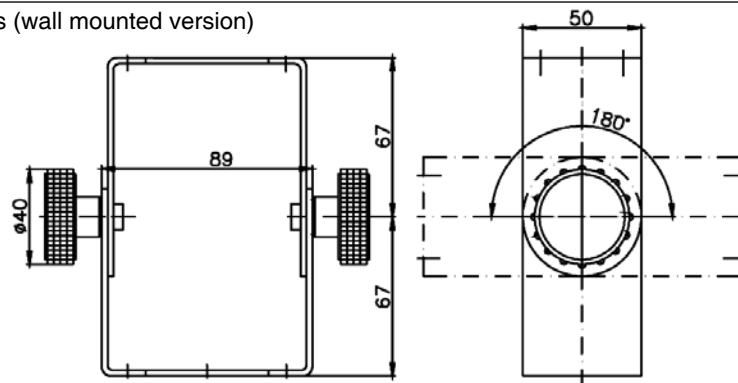
Variant 3



Variant 4



Dimensions (wall mounted version)



Drilling map either side of inclination adapter for the Limanda holder.

