



ROSE+BOPLA
ENCLOSURES

A PHOENIX MECANO COMPANY

**NGS Panel
Meter Housings
Product Drawings
Last Updated 7/7/2008**

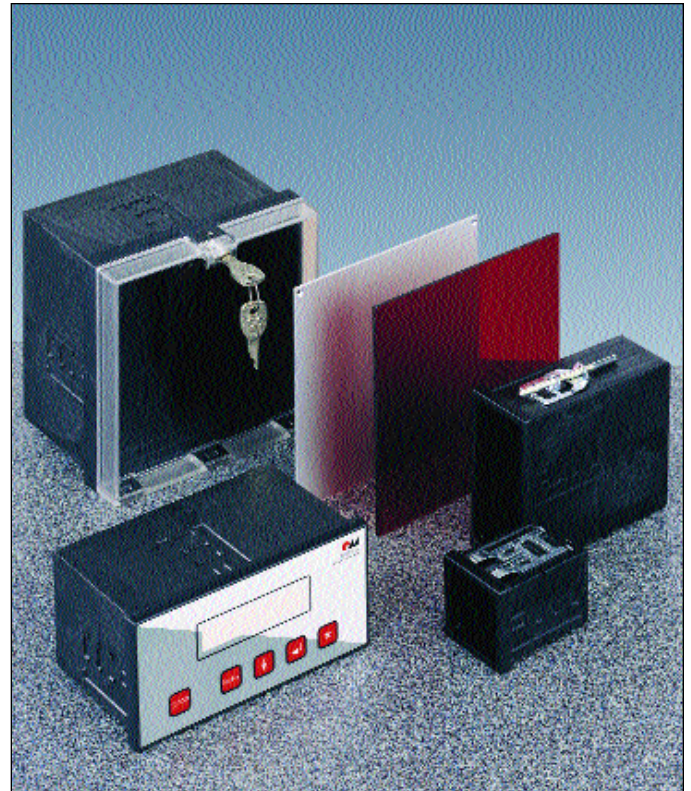
Dimensional Drawings

NGS Panel Meter Housings are specifically designed to conform to the dimensional standard DIN 43700. The user always has the right size enclosure for their electronic components, because

NGS Panel Meter Housings

NGS comes in 35 different sizes. Housings are slotted internally to accept PC Boards. Front bezels are removable. Mounting clips are offered separately in two styles: screw-type and snap-type. Rear covers are also removable. Accessories include anodized front panels, red translucent front panels, clear hinged doors and clear rubber front covers.

Each enclosure includes an enclosure body, standard front frame, rear cover, and assembly screws.



NGS Panel Meter Housings						
Model Number	Part Number	Width (Inches/mm)	Height (Inches/mm)	Depth (Inches/mm)	Weight LBS.	Drawing Page #
NGS 4806	17480601	1.89 / 48.0	1.89 / 48.0	2.48 / 63.0	0.06 lbs.	17-261
NGS 4808	17480801	1.89 / 48.0	1.89 / 48.0	3.35 / 85.0	0.07 lbs.	17-261
NGS 4810	17481001	1.89 / 48.0	1.89 / 48.0	4.31 / 109.5	0.11 lbs.	17-261
NGS 4811	17481101	1.89 / 48.0	1.89 / 48.0	4.69 / 119.0	0.11 lbs.	17-261
NGS 4813	17481301	1.89 / 48.0	1.89 / 48.0	5.55 / 141.0	0.11 lbs.	17-261
NGS 7406	17740601	5.67 / 144.0	2.83 / 72.0	2.52 / 64.0	0.23 lbs.	17-261
NGS 7408	17740801	5.67 / 144.0	2.83 / 72.0	3.39 / 86.0	0.29 lbs.	17-261
NGS 7410	17741001	5.67 / 144.0	2.83 / 72.0	4.35 / 110.5	0.36 lbs.	17-261
NGS 7411	17741101	5.67 / 144.0	2.83 / 72.0	4.72 / 120.0	0.38 lbs.	17-261
NGS 7413	17741301	5.67 / 144.0	2.83 / 72.0	5.59 / 142.0	0.45 lbs.	17-261
NGS 7416	17741601	6.54 / 166.5	5.67 / 144.0	6.56 / 166.5	0.50 lbs.	17-261
NGS 7706	17770601	2.83 / 72.0	2.83 / 72.0	2.48 / 63.0	0.13 lbs.	17-262
NGS 7708	17770801	2.83 / 72.0	2.83 / 72.0	3.35 / 85.0	0.13 lbs.	17-262
NGS 7710	17771001	2.83 / 72.0	2.83 / 72.0	4.31 / 109.5	0.13 lbs.	17-262
NGS 7711	17771101	2.83 / 72.0	2.83 / 72.0	4.69 / 119.0	0.24 lbs.	17-262
NGS 7713	17771301	2.83 / 72.0	2.83 / 72.0	5.55 / 141.0	0.28 lbs.	17-262
NGS 7716	17771601	2.83 / 72.0	2.83 / 72.0	6.52 / 165.5	0.33 lbs.	17-262
NGS 9406	17940601	3.78 / 96.0	1.89 / 48.0	2.48 / 63.0	0.12 lbs.	17-262
NGS 9408	17940801	3.78 / 96.0	1.89 / 48.0	3.35 / 85.0	0.16 lbs.	17-262
NGS 9410	17941001	3.78 / 96.0	1.89 / 48.0	4.31 / 109.5	0.20 lbs.	17-262
NGS 9411	17941101	3.78 / 96.0	1.89 / 48.0	4.69 / 119.0	0.22 lbs.	17-262
NGS 9413	17941301	3.78 / 96.0	1.89 / 48.0	5.55 / 141.0	0.26 lbs.	17-262
NGS 9416	17941601	3.78 / 96.0	1.89 / 48.0	6.52 / 165.5	0.30 lbs.	17-262
NGS 9606	17960601	3.78 / 96.0	3.78 / 96.0	2.48 / 63.0	0.18 lbs.	17-263
NGS 9608	17960801	3.78 / 96.0	3.78 / 96.0	3.35 / 85.0	0.23 lbs.	17-263
NGS 9610	17961001	3.78 / 96.0	3.78 / 96.0	4.31 / 109.5	0.28 lbs.	17-263
NGS 9611	17961101	3.78 / 96.0	3.78 / 96.0	4.69 / 119.0	0.30 lbs.	17-263
NGS 9613	17961301	3.78 / 96.0	3.78 / 96.0	5.55 / 141.0	0.35 lbs.	17-263
NGS 9616	17961601	3.78 / 96.0	3.78 / 96.0	6.52 / 165.5	0.39 lbs.	17-263
NGS 9806	17980601	5.67 / 144.0	5.67 / 144.0	2.52 / 64.0	0.34 lbs.	17-263
NGS 9806 GR	17980801	5.67 / 144.0	5.67 / 144.0	2.68 / 68.0	0.30 lbs.	17-264
NGS 9808	17981001	5.67 / 144.0	5.67 / 144.0	3.39 / 86.0	0.23 lbs.	17-263
NGS 9810	17981101	5.67 / 144.0	5.67 / 144.0	4.35 / 110.5	0.52 lbs.	17-263
NGS 9811	17981301	5.67 / 144.0	5.67 / 144.0	4.72 / 120.0	0.52 lbs.	17-263
NGS 9813	17981601	5.67 / 144.0	5.67 / 144.0	5.59 / 142.0	0.52 lbs.	17-263
NGS 9816	17980605	5.67 / 144.0	5.67 / 144.0	6.56 / 166.5	0.73 lbs.	17-263

TECHNICAL DATA:

- Color: Black, similar to RAL 9005.
- Material: Flame resistant Noryl SE 1 GFN 1.
- Gasket: Neoprene foam rubber, optional.
- Protection classifications: IP 40, IP 65 possible with rubber hoods, part type NGS...GHN.
- Impact resistance: 200 JM at 23° C.
- Surface resistance: >10¹⁵ Ohm to DIN 53482.
- Flammability: UL 94 V1/1.47.
- Disruptive strength: 26 KV/mm to DIN 53481.



NGS 9806-GR with stepped rear panel.

Note: Dimensions are external. Metric is the primary dimension. Inch conversions are for the user's convenience and are for reference only.



NGS 48



NGS 74



NGS Front Panels



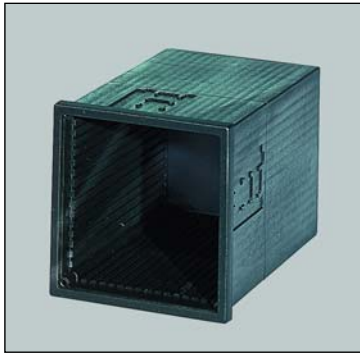
NGS 77



NGS 94



NGS Front Frames



NGS 96



NGS 98



NGS Hood Covers



NGS Front Doors



NGS Cylinder Catch for Front Door



NGS Transparent Rubber Hood



Panel Meter Housings

NGS 48 External Dimensions: W48 x H48 mm Page 10-3

Standard Features
<p>NGS 48 Series Each enclosure includes: Standard Front Frame, Enclosure Body, Rear Lid, and Screws.</p> <ul style="list-style-type: none"> • NGS 4806/17480601 (48 x 48 x 63mm) • NGS 4808/17480801 (48 x 48 x 85mm) • NGS 4810/17481001 (48 x 48 x 109.5mm) • NGS 4811/17481101 (48 x 48 x 119mm) • NGS 4813/17481301 (48 x 48 x 141mm)
Accessories
<ul style="list-style-type: none"> • NGS 48 FAE/37000050 Front panel, anodized aluminum, 1.5 mm thick. • NGS 48 FKT/37000610 Front panel, red translucent plastic, 3 mm thick. • NGS 48 RKS/37040100 Rear lid, separate (included in standard features). • NGS NK/37003000 Screw clamp (pack of 2). • NGS NF/37005000 Spring clamp (pack of 2). • NGS ZE/37004000 Connecting piece for DIN retaining clasp (pack of 2). • NGS NH/37001000 DIN retaining clasp (pack of 2). • NGS 48 DA/37048000 Seal, enclosure / control panel (pack of 5). • NGS 48 DI/37048010 Seal, front panel / enclosure (pack of 5). • NGS 48 F/37948500 Firmly latching membrane front. • NGS 48 SA/37948600 Firmly latching front frame. • NGS 48 AH/37948700* Clear hood cover. • NGS 48 GHN/37004800 Flexible transparent rubber hoods. <p>*Available on request.</p>

Model #	Part #	W	H	T	E
NGS 4806	17480601	48	48	63.0	56.5
NGS 4808	17480801	48	48	85.0	78.5
NGS 4810	17481001	48	48	109.5	103.0
NGS 4811	17481101	48	48	119.0	112.5
NGS 4813	17481301	48	48	141.0	134.5

NGS 74 External Dimensions: W72 x H144 mm Page 10-3

Standard Features
<p>NGS 74 Series Each enclosure includes: Standard Front Frame, Enclosure Body, Rear Lid, and Screws.</p> <ul style="list-style-type: none"> • NGS 7406/17740601 (72 x 144 x 64mm) • NGS 7408/17740801 (72 x 144 x 86mm) • NGS 7410/17741001 (72 x 144 x 110.5mm) • NGS 7411/17741101 (72 x 144 x 120mm) • NGS 7413/17741301 (72 x 144 x 142mm) • NGS 7416/17741601 (72 x 144 x 166.5mm)
Accessories
<ul style="list-style-type: none"> • NGS 74 FAE/37000200 Front panel, anodized aluminum, 1.5 mm thick. • NGS 74 FKT/37000700 Front panel, red translucent plastic, 3 mm thick. • NGS 74 RKS/37001620 Rear lid, separate (included in standard features). • NGS NK/37003000 Screw clamp (pack of 2). • NGS NF/37005000 Spring clamp (pack of 2). • NGS ZE/37004000 Connecting piece for DIN retaining clasp (pack of 2). • NGS NH/37001000 DIN retaining clasp (pack of 2). • NGS 74 DA/37074000 Seal, enclosure / control panel (pack of 5). • NGS 74 DI/37074010 Seal, front panel / enclosure (pack of 5). • NGS 74 F/37974500 Firmly latching membrane front. • NGS 74 SA/37974600 Firmly latching front frame. • NGS 74 AH/37974700* Clear hood cover. • NGS 74 GHN/37007400 Flexible transparent rubber hoods. • NGS 74 TK/17740000 Front door lockable by means of knob. • SHLO-302/21008310 Cylinder catch for front door. <p>*Available on request</p>

Model #	Part #	W	H	T	E
NGS 7406	NGS 7406	72	144	64.0	56.5
NGS 7408	NGS 7408	72	144	86.0	78.5
NGS 7410	NGS 7410	72	144	110.5	103.0
NGS 7411	NGS 7411	72	144	120.0	112.5
NGS 7413	NGS 7413	72	144	142.0	134.5
NGS 7416	NGS 7416	72	144	166.5	159.0

Dimensional Drawings

Panel Meter Housings

NGS 77

External Dimensions: W72 x H72 mm

Page 10-3

Standard Features
<p>NGS 77 Series Each enclosure includes: Standard Front Frame, Enclosure Body, Rear Lid, and Screws.</p> <ul style="list-style-type: none"> • NGS 7706/17770601 (72 x 72 x 63mm) • NGS 7708/17770801 (72 x 72 x 85mm) • NGS 7710/17771001 (72 x 72 x 109.5mm) • NGS 7711/17771101 (72 x 72 x 119mm) • NGS 7713/17771301 (72 x 72 x 141mm) • NGS 7716/17771601 (72 x 72 x 165.5mm)
Accessories
<ul style="list-style-type: none"> • NGS 77 FAE/37000100 Front panel, anodized aluminum, 1.5 mm thick. • NGS 77 FKT/37000600 Front panel, red translucent plastic, 3 mm thick. • NGS 77 RKS/37001610 Rear lid, separate (included in standard features). • NGS NK/37003000 Screw clamp (pack of 2). • NGS NF/37005000 Spring clamp (pack of 2). • NGS ZE/37004000 Connecting piece for DIN retaining clasp (pack of 2). • NGS NH/37001000 DIN retaining clasp (pack of 2). • NGS 77 DA/37077000 Seal, enclosure / control panel (pack of 5). • NGS 77 DI/37077010 Seal, front panel / enclosure (pack of 5). • NGS 77 F/37977500 Firmly latching membrane front. • NGS 77 SA/37977600 Firmly latching front frame. • NGS 77 AH/37977000* Clear hood cover. • NGS 77 GHN/37007700 Flexible transparent rubber hoods. <p>*Available on request</p>

Model #	Part #	W	H	T	E
NGS 7706	NGS 7706	72	72	63.0	56.5
NGS 7708	NGS 7708	72	72	85.0	78.5
NGS 7710	NGS 7710	72	72	109.5	103.0
NGS 7711	NGS 7711	72	72	119.0	112.5
NGS 7713	NGS 7713	72	72	141.0	134.5
NGS 7716	NGS 7716	72	72	165.5	159.0

NGS 94

External Dimensions: W48 x H96 mm

Page 10-3

Standard Features
<p>NGS 94 Series Each enclosure includes: Standard Front Frame, Enclosure Body, Rear Lid, and Screws.</p> <ul style="list-style-type: none"> • NGS 9406/17940601 (48 x 96 x 63mm) • NGS 9408/17940801 (48 x 96 x 85mm) • NGS 9410/17941001 (48 x 96 x 109.5mm) • NGS 9411/17941101 (48 x 96 x 119mm) • NGS 9413/17941301 (48 x 96 x 141mm) • NGS 9416/17941601 (48 x 96 x 165.5mm)
Accessories
<ul style="list-style-type: none"> • NGS 94 FAE/37000300 Front panel, anodized aluminum, 1.5 mm thick. • NGS 94 FKT/37000800 Front panel, red translucent plastic, 3 mm thick. • NGS 94 RKS/37001600 Rear lid, separate (included in standard features). • NGS NK/37003000 Screw clamp (pack of 2). • NGS NF/37005000 Spring clamp (pack of 2). • NGS ZE/37004000 Connecting piece for DIN retaining clasp (pack of 2). • NGS NH/37001000 DIN retaining clasp (pack of 2). • NGS 94 DA/37094000 Seal, enclosure / control panel (pack of 5). • NGS 94 DI/37094010 Seal, front panel / enclosure (pack of 5). • NGS 94 F/37994500 Firmly latching membrane front. • NGS 94 SA/37994600 Firmly latching front frame. • NGS 94 AH/37994700* Clear hood cover. • NGS 94 GHN/37009400 Flexible transparent rubber hoods. <p>*Available on request</p>

Model #	Part #	W	H	T	E
NGS 9406	NGS 9406	48	96	63.0	56.5
NGS 9408	NGS 9408	48	96	85.0	78.5
NGS 9410	NGS 9410	48	96	109.5	103.0
NGS 9411	NGS 9411	48	96	119.0	112.5
NGS 9413	NGS 9413	48	96	141.0	134.5
NGS 9416	NGS 9416	48	96	165.5	159.0



NGS 96

External Dimensions: W96 x H96 mm

Standard Features
<p>NGS 96 Series Each enclosure includes: Standard Front Frame, Enclosure Body, Rear Lid, and Screws.</p> <ul style="list-style-type: none"> • NGS 9606/17960601 (96 x 96 x 63mm) • NGS 9608/17960801 (96 x 96 x 85mm) • NGS 9610/17961001 (96 x 96 x 109.5mm) • NGS 9611/17961101 (96 x 96 x 119mm) • NGS 9613/17961301 (96 x 96 x 141mm) • NGS 9616/17961601 (96 x 96 x 165.5mm)
Accessories
<ul style="list-style-type: none"> • NGS 96 FAE/37000400 Front panel, anodized aluminum, 1.5 mm thick. • NGS 96 FKT/37000900 Front panel, red translucent plastic, 3 mm thick. • NGS 96 RKS/37001630 Rear lid, separate (included in standard features). • NGS NK/37003000 Screw clamp (pack of 2). • NGS NF/37005000 Spring clamp (pack of 2). • NGS ZE/37004000 Connecting piece for DIN retaining clasp (pack of 2). • NGS NH/37001000 DIN retaining clasp (pack of 2). • NGS 96 DA/37096000 Seal, enclosure / control panel (pack of 5). • NGS 96 DI/37096010 Seal, front panel / enclosure (pack of 5). • NGS 96 F/37996500 Firmly latching membrane front. • NGS 96 SA/37996600 Firmly latching front frame. • NGS 96 AH/37996700* Clear hood cover. • NGS 96 GHN/37009600 Flexible transparent rubber hoods. • NGS 96 TK/17960000 Front door lockable by means of knob. • SHLO-302/21008310 Cylinder catch for front door <p>*Available on request</p>

Cut-out to DIN 43700
92^{+0.8} x 92^{+0.8}

Model #	Part #	W	H	T	E
NGS 9606	17960601	96	96	63.0	56.5
NGS 9608	17960801	96	96	85.0	78.5
NGS 9610	17961001	96	96	109.5	103.0
NGS 9611	17961101	96	96	119.0	112.5
NGS 9613	17961301	96	96	141.0	134.5
NGS 9616	17961601	96	96	165.5	159.0

NGS 98

External Dimensions: W144 x H144 mm

Standard Features
<p>NGS 98 Series Each enclosure includes: Standard Front Frame, Enclosure Body, Rear Lid, and Screws.</p> <ul style="list-style-type: none"> • NGS 9806/17980601 (144 x 144 x 64mm) • NGS 9808/17980801 (144 x 144 x 85mm) • NGS 9810/17981001 (144 x 144 x 110.5mm) • NGS 9811/17981101 (144 x 144 x 120mm) • NGS 9813/17981301 (144 x 144 x 142mm) • NGS 9816/17981601 (144 x 144 x 166.5mm)
Accessories
<ul style="list-style-type: none"> • NGS 98 FAE/37000500 Front panel, anodized aluminum, 1.5 mm thick. • NGS 98 FKT/37000950 Front panel, red translucent plastic, 3 mm thick. • NGS 98 RKS/37001640 Rear lid, separate (included in standard features). • NGS NK/37003000 Screw clamp (pack of 2). • NGS NF/37005000 Spring clamp (pack of 2). • NGS ZE/37004000 Connecting piece for DIN retaining clasp (pack of 2). • NGS NH/37001000 DIN retaining clasp (pack of 2). • NGS 98 DA/37098000 Seal, enclosure / control panel (pack of 5). • NGS 98 DI/37098010 Seal, front panel / enclosure (pack of 5). • NGS 98 F/37998500 Firmly latching membrane front. • NGS 98 SA/37998600 Firmly latching front frame. • NGS 98 AH/37998700* Clear hood cover. • NGS 98 GHN/37009800 Flexible transparent rubber hoods. • NG 98 TK/17980000 Front door lockable by means of knob • SHLO-302/21008310 Cylinder catch for front door <p>*Available on request</p>

Cut-out to DIN 43700
138^{+1.0} x 138^{+1.0}

Model #	Part #	W	H	T	E
NGS 9806	17960601	144	144	64.0	56.5
NGS 9808	17960801	144	144	85.0	78.5
NGS 9810	17961001	144	144	110.5	103.0
NGS 9811	17961101	144	144	120.0	112.5
NGS 9813	17961301	144	144	142.0	134.5
NGS 9816	17961601	144	144	166.5	159.0

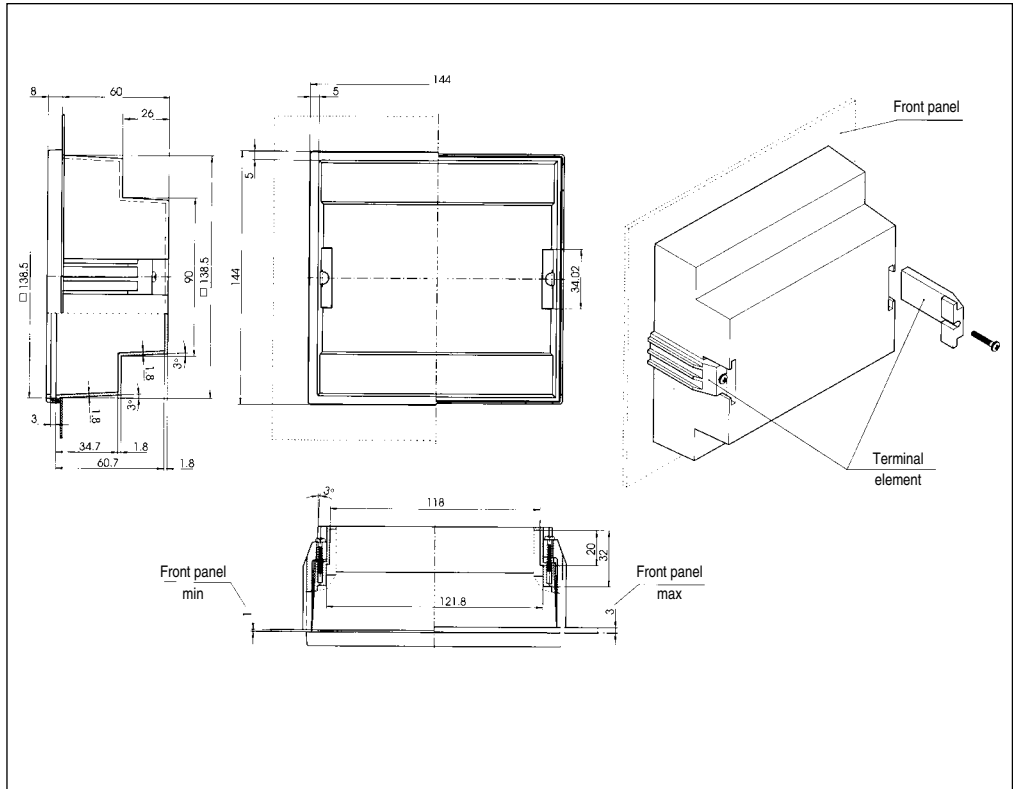
Panel Meter Housings

NGS 9806-GR

External Dimensions: L144 x W144 X H68mm

Page 10-3

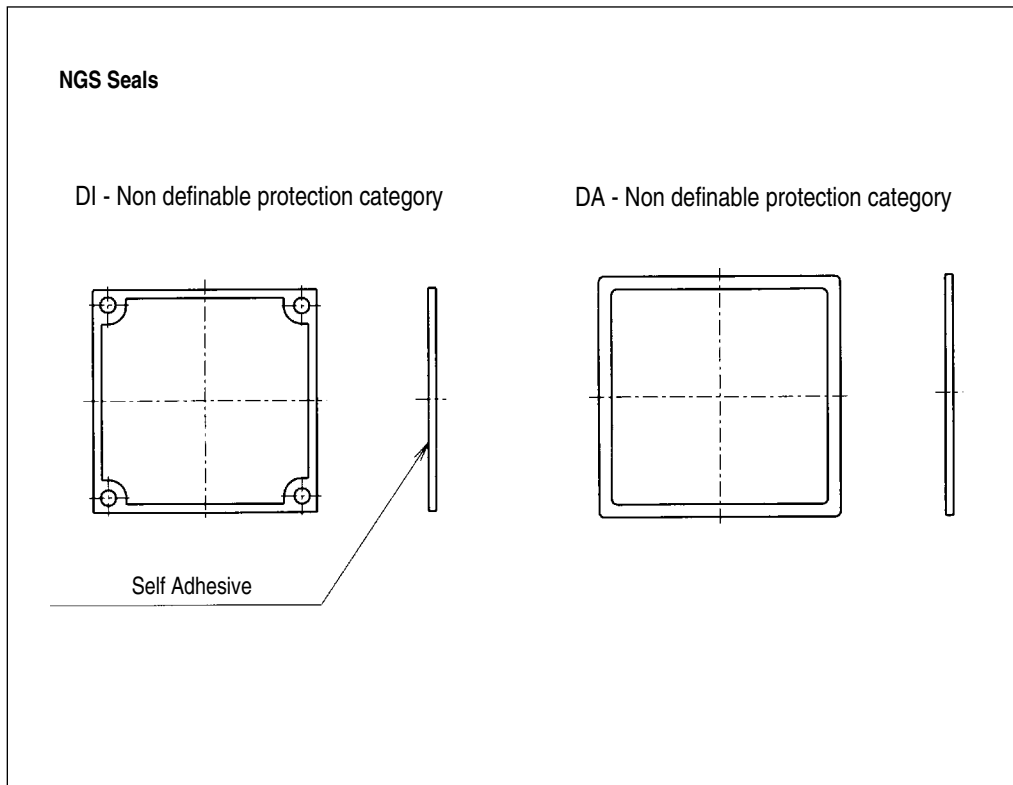
<p>Standard Features</p> <ul style="list-style-type: none"> • NGS 9806 GR/17980605 Includes: Enclosure Body, Standard Front Frame, and Two Terminal Elements.
<p>Accessories</p> <ul style="list-style-type: none"> • NGS 98 FAE/37000510 Front panel, anodized aluminum, 3 mm thick. • NGS 98 FKT/37000950 Front panel, red translucent plastic, 3 mm thick. • NGS 98 DI/37098010 Seal, front panel / enclosure (pack of 5). • NGS 98 F/37998500 Firmly latching membrane front. • NGS 98 SA/37998600 Firmly latching front frame. • NGS 98 AH/37998700 Clear hood cover. • NGS 98 GHN/37009800 Flexible transparent rubber hoods. • NGS 98 TK/17980000 Front door, lockable with knob. • SHLO-302/21008310 Cylinder catch for front door.



NGS Accessories

Page 10-3

<p>Standard Features</p> <ul style="list-style-type: none"> • NGS Seal DI - Neoprene Foam Rubber 1.5mm thick. This NGS...DI seal can be used to seal the NGS...FAE front panels towards the interior of the enclosure. Take the different panel shapes into account. • NGS Seal DA - Neoprene Foam Rubber 1.5 mm thick. This NGS...DA seal can be used to seal the enclosure in the control panel wall. Take the different panel shapes into account. If necessary, 4 mounting elements can be used to achieve optimal fit.
--





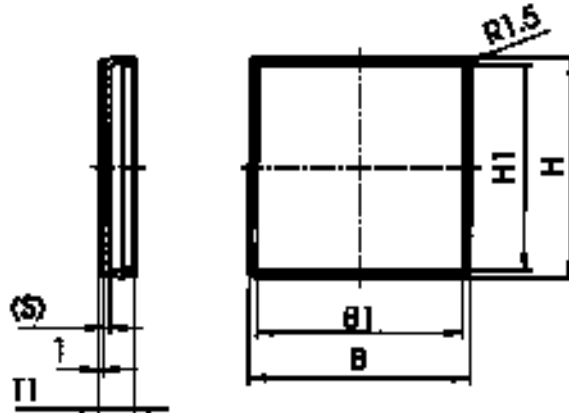
NGS Accessories

Standard Features

Membrane Fronts Firmly latching membrane front to accept Membrane Keypads etc.

- NGS 48 F/37948500
- NGS 74 F/37974500
- NGS 77 F/37977500
- NGS 94 F/37994500
- NGS 96 F/37996500
- NGS 98 F/37998500

Membrane Fronts



Model #	Part #	W	H	D1	S	W1	H1
NGS 48 F	37948500	48.4	48.4	8	1.5	45	45
NGS 74 F	37974500	72.4	144.4	9	2.5	68	140
NGS 77 F	37977500	72.4	72.4	8	1.5	68	68
NGS 94 F	37994500	48.4	96.4	8	1.5	45	92
NGS 96 F	37996500	96.4	96.4	8	1.5	92	92
NGS 98 F	37998500	144.4	144.4	9	2.5	140	140

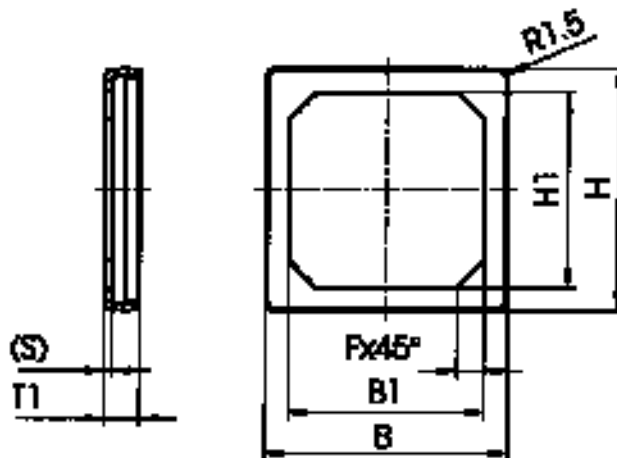
NGS Accessories

Standard Features

Front Frames Firmly latching front frame with corner trim to conceal screws.

- NGS 48 SA/37948600
- NGS 74 SA/37974600
- NGS 77 SA/37977600
- NGS 94 SA/37994600
- NGS 96 SA/37996600
- NGS 98 SA/37998600

Front Frames



Model #	Part #	W	H	D1	S	W1	H1	F
NGS 48 SA	37948600	48.4	48.4	7	1.5	39	39	5.40
NGS 74 SA	37974600	72.4	144.4	8	2.5	62	134	6.65
NGS 77 SA	37977600	72.4	72.4	7	1.5	62	62	5.40
NGS 94 SA	37994600	48.4	96.4	7	1.5	38	86	5.40
NGS 96 SA	37996600	96.4	96.4	7	1.5	86	86	5.40
NGS 98 SA	37998600	144.4	144.4	8	2.5	34	134	7.40

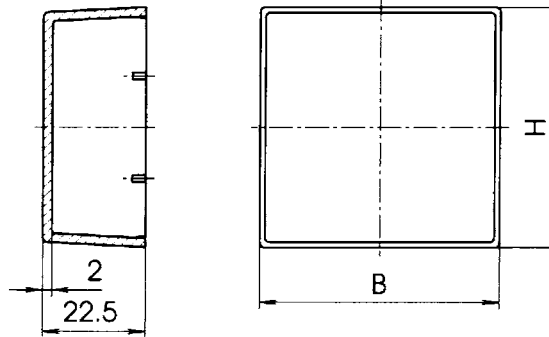
Panel Meter Housings

Standard Features

Hood Covers Clear Hood Cover for placing on the firmly latching Front Frame NGS-F / SA. Provides simple, effective protection for operating and display elements.

- NGS 48 AH/37948700
- NGS 74 AH/37974700
- NGS 77 AH/37977700
- NGS 94 AH/37994700
- NGS 96 AH/37996700
- NGS 98 AH/37998700

Hood Covers



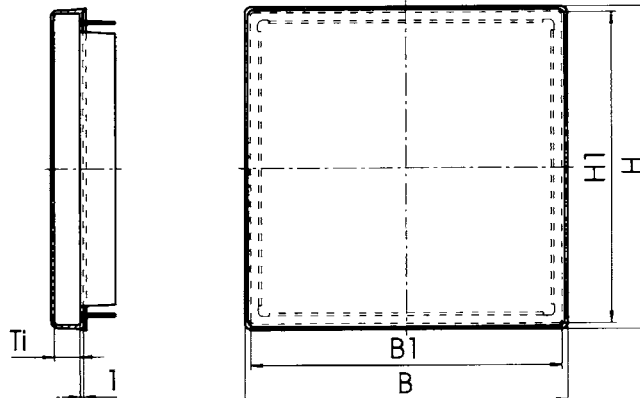
Model #	Part #	B	H
NGS 48 AH	37948700	52.7	52.7
NGS 74 AH	37974700	76.7	148.7
NGS 77 AH	37977700	76.7	76.7
NGS 94 AH	37994700	52.7	100.7
NGS 96 AH	37996700	100.7	100.7
NGS 98 AH	37998700	148.7	148.7

Standard Features

Transparent Rubber Hoods Flexible transparent Rubber Hoods for DIN 43700 insertion enclosures. Buttons or rocker switches can be operated through the hood. Protection category up to IP 65, depending on assembly.

- NGS 48 GHN/37004800
- NGS 74 GHN/37007400
- NGS 77 GHN/37007700
- NGS 94 GHN/37009400
- NGS 96 GHN/37009600
- NGS 98 GHN/37009800

Transparent Rubber Hoods

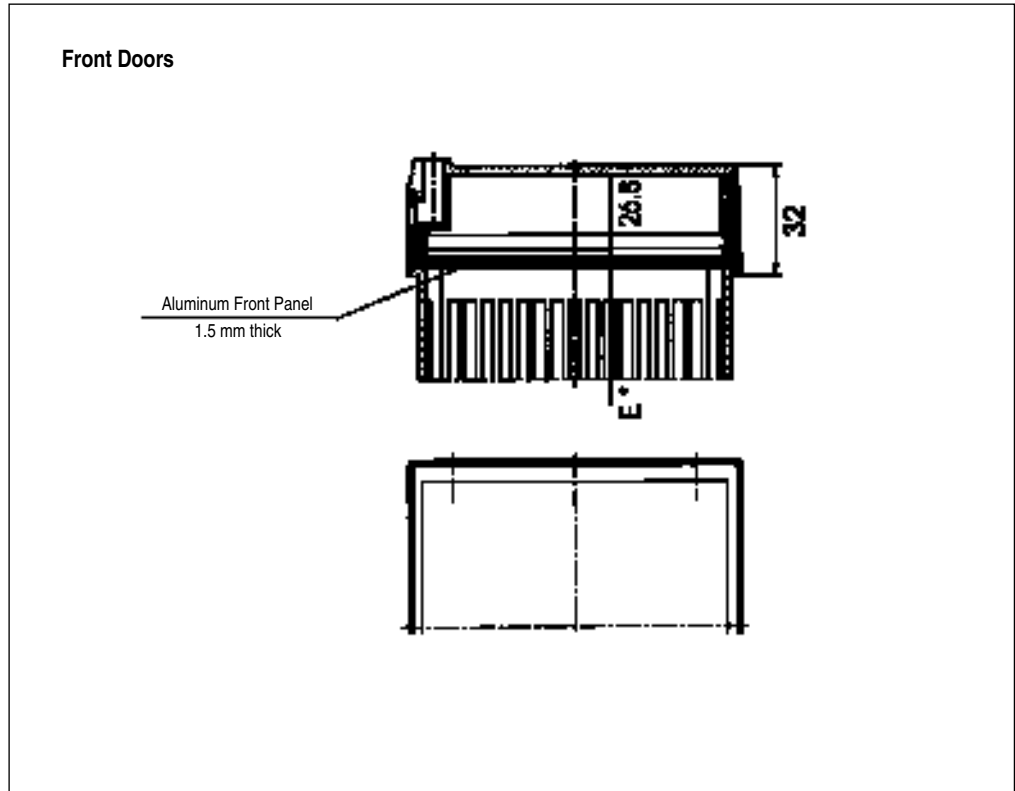


Model #	Part #	B	H	T1	B1	H1
NGS 48 GHN	37004800	54	54	8	48.4	48.4
NGS 74 GHN	37007400	78	150	9	72.4	144.4
NGS 77 GHN	37007700	78	78	8	72.4	72.4
NGS 94 GHN	37009400	54	102	8	48.8	96.4
NGS 96 GHN	37009600	102	102	8	96.4	96.4
NGS 98 GHN	37009800	150	150	9	144.4	144.4



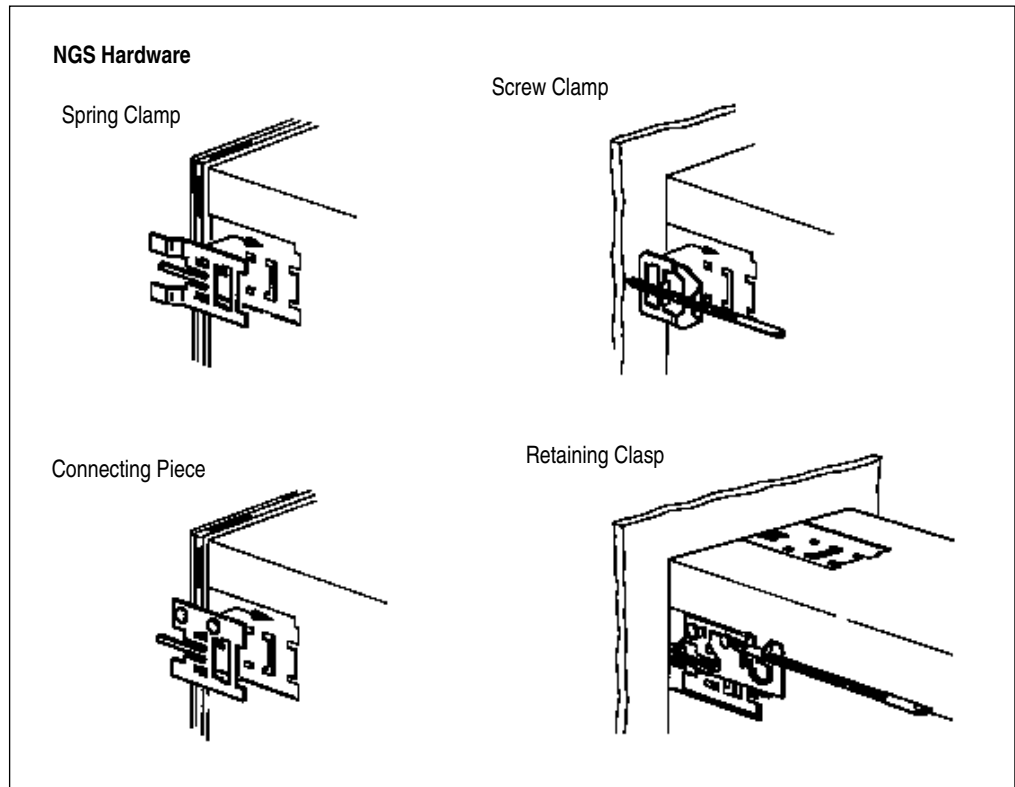
NGS Accessories Page 10-3

Standard Features
<p>Front Doors Front Door lockable by means of knob.</p> <ul style="list-style-type: none"> • NGS 74 TK/17740000 • NGS 96 TK/17960000 • NGS 98 TK/17980000



NGS Accessories Page 10-3

Standard Features
<ul style="list-style-type: none"> • NGS - NF Spring Clamp. The NF Spring Clamp is snapped onto the external wall of the enclosure and then, with the enclosure, is snapped into the control panel cut-out (pack of two). • NGS - NK Screw Clamp. The Screw Clamp is placed on the enclosure from the rear of the control panel. After this, the enclosure is pressed firmly onto the rear wall of the control panel through the integrated screw (pack of two). • NGS - ZE Connecting Piece. The ZE connecting piece is suitable for use with standard retaining clasps in accordance with DIN 43835 (pack of two). • NGS - NH Retaining Clasp. Standard retaining clasp in accordance with DIN 43835 form B. Can only be used together with connecting pieces NGS - ZE (pack of two).



Dimensional Drawings

Panel Meter Housings

Standard Features

- **NGS Front Panel - Anodized Aluminum.**
This 1.5 mm thick anodized aluminum front panel can be sealed toward the enclosure by means of NGS...DI seals. Take the different panel shapes into account.
- **NGS Front Panel - Red Translucent Plastic.**
This 3 mm red translucent plexiglass pane is especially suitable for use with LEDs. Additionally, sealing is not possible in the case of NGS...DI

NGS Front Panels

Anodized Aluminum

Red Translucent Plastic

