

Distributed by Electro-Stock, Inc. sales@electrostock.com
630-682-1542 Fax 630-682-1562 http://www.electrostock.com

Polycarbonate Watertight EM Product Drawings Last Updated 1/16/2006

The **Polycarbonate Watertight EM** enclosure is ideal for packaging high quality electronic instrumentation. These housings feature a stylish beveled edge lid design, smooth high-polish finish

Polycarbonate Watertight EM

and molded edges. The aesthetic design of our Polycarbonate Watertight EM enclosure will enhance the marketability of your finished product. Plus, these enclosures have been designed to be completely recyclable and contain no pressed-in metal inserts.

The Polycarbonate Watertight EM consists of: a polycarbonate base with plastic threads for lid screws, and internal bosses in base for mounting terminals and printed circuit boards; a polycarbonate lid with 4 captive lid screws and internal bosses in the lid for mounting printed circuit boards; and a removable neoprene gasket. Optional Silicone or RFI gaskets, lid screw caps, external wall-mounting brackets, and mounting plates are available.

Rose+Bopla also offers a modified lid design with a raised border area for membrane keypads.

Polycarbonate Watertight EM Enclosures

Part Number	Length (Inches/mm)	Width (Inches/mm)	Height (Inches/mm)	Weight	Drawing Page #
EM 205 F	2.05 / 52	1.97 / 50	1.46 / 37	.08 lbs	17-65
EM 206 F	2.56 / 65	1.97 / 50	1.46 / 37	.10 lbs	17-66
EM 207 F/LP	3.23 / 82	2.36 / 60	2.24 / 57	.23 lbs	17-66
EM 208 F	3.86 / 98	2.52 / 64	1.50 / 38	.22 lbs	17-67
EM 210 F	3.23 / 82	3.15 / 80	2.24 / 57	.27 lbs	17-67
EM 212 F	3.94 / 100	3.94 / 100	2.24 / 57	.36 lbs	17-68
EM 213* F	4.80 / 122	4.72 / 120	1.46 / 37	.36 lbs	17-68
EM 214 F/LP	7.87 / 200	4.72 / 120	2.24 / 57	.70 lbs	17-69
EM 215 F	4.72 / 120	3.15 / 80	2.24 / 57	.35 lbs	17-69
EM 217 F	4.80 / 122	4.72 / 120	2.24 / 57	.47 lbs	17-70
EM 218 F/LP	5.91 / 150	5.91 / 150	2.24 / 57	.65 lbs	17-70
EM 220 F	6.30 / 160	3.15 / 80	2.24 / 57	.44 lbs	17-71
EM 221* F	7.87 / 200	4.72 / 120	3.03 / 77	.79 lbs	17-71
EM 223 F	7.87 / 200	5.91 / 150	3.03 / 77	.95 lbs	17-72
EM 224 F/LP	9.45 / 240	3.15 / 80	2.36 / 60	.64 lbs	17-72
EM 225* F	3.23 / 82	3.15 / 80	3.43 / 87	.36 lbs	17-73
EM 227* F	4.80 / 122	4.72 / 120	3.43 / 87	.60 lbs	17-73
EM 229* F	6.30 / 160	3.15 / 80	1.46 / 37	.60 lbs	17-74
EM 231* F	6.30 / 160	3.15 / 80	3.43 / 87	.57 lbs	17-74
EM 232* F	7.87 / 200	5.91 / 150	1.46 / 37	.57 lbs	17-75
EM 233* F	9.84 / 250	6.30 / 160	1.46 / 37	.57 lbs	17-75
EM 236 F/LP	9.45 / 240	3.15 / 80	3.15 / 80	.80 lbs	17-76
EM 237* F	7.87 / 200	4.72 / 120	3.62 / 92	.92 lbs	17-76
EM 238* F	6.30 / 160	4.72 / 120	3.62 / 92	.78 lbs	17-77
EM 239* F	9.84 / 250	6.30 / 160	2.24 / 57	1.05 lbs	17-77
EM 240* F	9.84 / 250	6.30 / 160	3.62 / 92	1.30 lbs	17-78
EM 241* F	9.84 / 250	6.30 / 160	4.80 / 122	1.59 lbs	17-78
EM 242* F	9.84 / 250	4.72 / 120	4.02 / 102	1.14 lbs	17-79
EM 247 F/LP	11.81/300	6.30 / 160	4.72 / 120	1.81 lbs	17-79

*Non-stocked items, special order minimum 500 pieces.



Polycarbonate Watertight EM in 3 versions: (clockwise from upper left) membrane lid version; standard version; and standard version with external wall-mounting brackets.

TECHNICAL DATA:

- Color: Light Gray similar to RAL 7035 with a high-gloss finish.
- Material: Polycarbonate. See polycarbonate specification sheets in the Technical Information Chapter.
- Protection Classifications:
NEMA Types— up to Nema 12
IP 65, EN 60529
- Flammability: UL 94 V2/1.14
- Gasket Temperature Range:
Neoprene Gasket -40° F to $+212^{\circ}$ F
Silicone Gasket -76° F to $+266^{\circ}$ F
RFI Gasket -40° F to $+392^{\circ}$ F
- Surface Resistance: $>10^{16}$ Ohm to DIN 53482
- Captive Lid Screws
- Disruptive Strength: 28KV / mm to DIN 53481

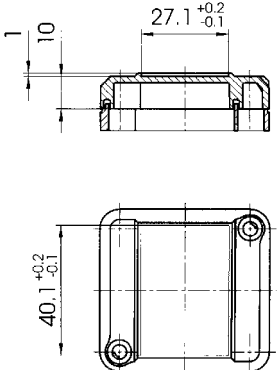
Note: Dimensions are external. Metric is the primary dimension. Inch conversions and weights are for the user's convenience and are for reference only. Accessories shown on drawing page.

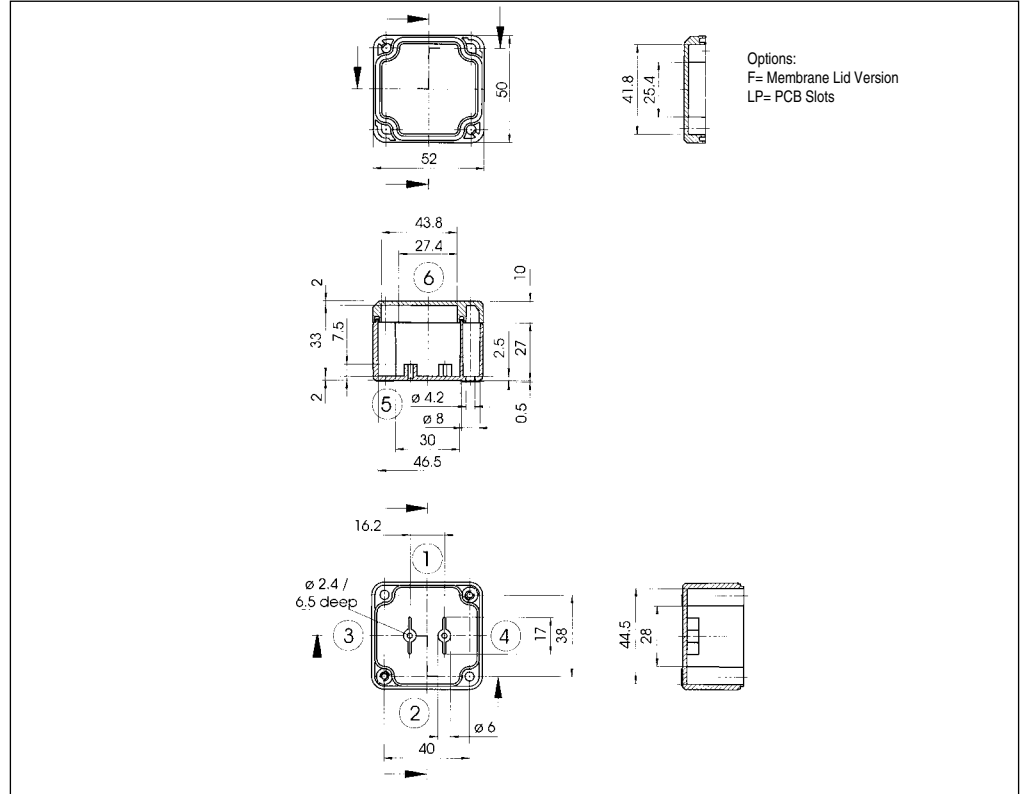
- Membrane Lid versions— All sizes available with Membrane Lid feature. Add F to end of part number.
- PCB Slots— Slots for PCBs in base available for EM 207, EM 214, EM 218, EM 224, EM 236, and EM 247. Add LP to end of part number.

EM/ET 205

External Dimensions: L52 x W50 x H37 mm

Page 1-17, 23

Standard Features
<ul style="list-style-type: none"> • 10093000 00 Lid Screws • 10082002 00 Removable 2.7mm Neoprene Gasket (8.03" length)
Accessories
<ul style="list-style-type: none"> • 10019193 00 Lid Screw caps. • 10082013 00 3.3mm Silicone gasket. • 10082021 00 2.62mm RFI Gasket (8.03" length). • 10094111 00 Table feet. • 10019503 00 Mounting Plate. • 10039139 00 Wall Bracket. • 10096217 00 M3x8 Self tapping screw for mounting plate.
Membrane Lid Detail




Polycarbonate/ABS Watertight

Distributed by Electro-Stock, Inc. sales@electrostock.com
 630-682-1542 Fax 630-682-1562 http://www.electrostock.com

EM/ET 206 External Dimensions: L65 x W50 x H37 mm Page 1-17, 23

Standard Features
<ul style="list-style-type: none"> • 10093000 00 Lid Screws. • 10082002 00 Removable 2.7mm Neoprene Gasket (9.06" length).
Accessories
<ul style="list-style-type: none"> • 10019193 00 Lid Screw caps. • 10082013 00 3.3mm Silicone gasket. • 10082021 00 2.62mm RFI Gasket (9.06" length). • 10094111 00 Table feet. • 10019603 00 Mounting Plate. • 10039139 00 Wall Bracket. • 10096217 00 M3x8mm Self tapping screw for mounting plate.
Membrane Lid Detail
<p>Side view dimensions: 10, 40.1 (+0.2 / -0.1)</p> <p>Top view dimensions: 40.1 (+0.2 / -0.1)</p>

Options:
 F= Membrane Lid Version
 LP= PCB Slots

External dimensions: L65 x W50 x H37 mm

Top view dimensions: 65, 50, 6, 56.8, 40.4, 2.5, 10, 3, 27, 10, 2.5, 43, 59.5, 5, 4.2, 8, 0.5

Side view dimensions: 41.8, 25.4

Bottom view dimensions: 37.8, 27, 16.2, 2.7, 16.2, 38, 3, 4, 2, 53, 2.4 / 9 deep, 44.5, 28, 10

EM/ET 207 External Dimensions: L82 x W60 x H57 mm Page 1-17, 23

Standard Features
<ul style="list-style-type: none"> • 10093000 00 Lid Screws. • 10082002 00 Removable 2.7mm Neoprene Gasket (11.18" length).
Accessories
<ul style="list-style-type: none"> • 10019193 00 Lid Screw caps. • 10082013 00 3.3mm Silicone gasket. • 10082021 00 2.62mm RFI Gasket (11.18" length). • 10094111 00 Table feet. • 10019806 00 Mounting Plate. • 10039139 00 Wall Bracket. • 10096217 00 M3x8mm Self tapping screw for mounting plate.
Membrane Lid Detail
<p>Side view dimensions: 15, 54.1 (+0.3 / -0.2)</p> <p>Top view dimensions: 50.1 (+0.1)</p>

Options:
 F= Membrane Lid Version
 LP= PCB Slots

External dimensions: L82 x W60 x H57 mm

Top view dimensions: 82, 60, 42, 6, 72.7, 53.9, 3, 15, 3, 51, 9, 56.5, 75.3, 5, 4.2, 8, 0.5

Side view dimensions: 60.7, 22.9, 18.4, 9

Bottom view dimensions: 37.8, 27, 18.9, 16.2, 2.4 / 7.5 deep, 30, 40, 2.4 / 8.5 deep, 6, 42, 2, 53.3, 25.5, 6.5, 2.4 / 2, 10

Other dimensions: boss 1 mm depressed, 2.4 / 5 deep



Distributed by Electro-Stock, Inc. sales@electrostock.com
630-682-1542 Fax 630-682-1562 http://www.electrostock.com

EM/ET 208 External Dimensions: L98 x W64 x H38 mm Page 1-17, 23

<p>Standard Features</p> <ul style="list-style-type: none"> • 10093000 00 Lid Screws. • 10082002 00 Removable 2.7mm Neoprene Gasket (12.76 length).
<p>Accessories</p> <ul style="list-style-type: none"> • 10019193 00 Lid Screw caps. • 10082013 00 3.3mm Silicone gasket. • 10082021 00 2.62mm RFI Gasket (12.76" length). • 10094111 00 Table feet. • 10039139 00 Wall Bracket. • 10096217 00 M3x8mm Self tapping screw for mounting plate.
<p>Membrane Lid Detail</p>

Options:
F= Membrane Lid Version
LP= PCB Slots

EM/ET 210 External Dimensions: L82 x W80 x H57 mm Page 1-17, 23

<p>Standard Features</p> <ul style="list-style-type: none"> • 10093000 00 Lid Screws. • 10082002 00 Removable 2.7mm Neoprene Gasket (12.76" length).
<p>Accessories</p> <ul style="list-style-type: none"> • 10019193 00 Lid Screw caps. • 10082013 00 3.3mm Silicone gasket. • 10082021 00 2.62mm RFI Gasket (12.76" length). • 10094111 00 Table feet. • 10019086 00 Mounting Plate. • 10039139 00 Wall Bracket. • 10096217 00 M3x8mm Self tapping screw for mounting plate.
<p>Membrane Lid Detail</p>

Options:
F= Membrane Lid Version
LP= PCB Slots

Dimensional Drawings

Polycarbonate/ABS Watertight

Distributed by Electro-Stock, Inc. sales@electrostock.com
630-682-1542 Fax 630-682-1562 http://www.electrostock.com

EM/ET 212 External Dimensions: L100 x W100 x H57 mm Page 1-17, 23

Standard Features
<ul style="list-style-type: none"> • 10093000 00 Lid Screws. • 10082002 00 Removable 2.7mm Neoprene Gasket (15.75" length).
Accessories
<ul style="list-style-type: none"> • 10019193 00 Lid Screw caps. • 10082013 00 3.3mm Silicone gasket. • 10082021 00 2.62mm RFI Gasket (9.06" length). • 10094111 00 Table feet. • 10019006 00 Mounting Plate. • 10039139 00 Wall Bracket. • 10096217 00 M3x8mm Self tapping screw for mounting plate.
Membrane Lid Detail
<p>Membrane lid detail drawings for EM/ET 212. The top view shows a square lid with a side length of 72.1 ±0.2 mm. The cross-section shows a height of 15 mm.</p>

External dimensions and detail drawings for EM/ET 212. The main drawing shows a square enclosure with external dimensions of 100 mm x 100 mm x 57 mm. Key features include:

- Top view: 100 mm x 100 mm, with internal dimensions of 80 mm x 80 mm. Mounting holes are spaced 60 mm apart.
- Side view: 100 mm x 57 mm, showing a 15 mm height and a 90.7 mm width.
- Bottom view: 100 mm x 100 mm, showing a 6 mm diameter hole and a 2.4 mm diameter hole with a 7.5 mm depth.
- Detail drawings: Show the lid screw (1), gasket (2), and mounting holes (3, 4, 5, 6) with various diameters and depths.

Options:
F= Membrane Lid Version
LP= PCB Slots

EM/ET 213 External Dimensions: L122 x W120 x H37 mm Page 1-17, 23

Standard Features
<ul style="list-style-type: none"> • 10093000 00 Lid Screws. • 10082002 00 Removable 2.7mm Neoprene Gasket (11.18" length).
Accessories
<ul style="list-style-type: none"> • 10019193 00 Lid Screw caps. • 10082013 00 3.3mm Silicone gasket. • 10082021 00 2.62mm RFI Gasket (9.06" length). • 10094111 00 Table feet. • 10039139 00 Wall bracket.
Membrane Lid Detail
<p>Membrane lid detail drawings for EM/ET 213. The top view shows a rectangular lid with a side length of 94.1 ±0.2 mm. The cross-section shows a height of 15 mm.</p>

External dimensions and detail drawings for EM/ET 213. The main drawing shows a rectangular enclosure with external dimensions of 122 mm x 120 mm x 37 mm. Key features include:

- Top view: 122 mm x 120 mm, with internal dimensions of 83.4 mm x 98 mm. Mounting holes are spaced 60 mm apart.
- Side view: 122 mm x 37 mm, showing a 15 mm height and a 110.7 mm width.
- Bottom view: 122 mm x 120 mm, showing a 6 mm diameter hole and a 2.4 mm diameter hole with a 7.5 mm depth.
- Detail drawings: Show the lid screw (1), gasket (2), and mounting holes (3, 4, 5, 6) with various diameters and depths.

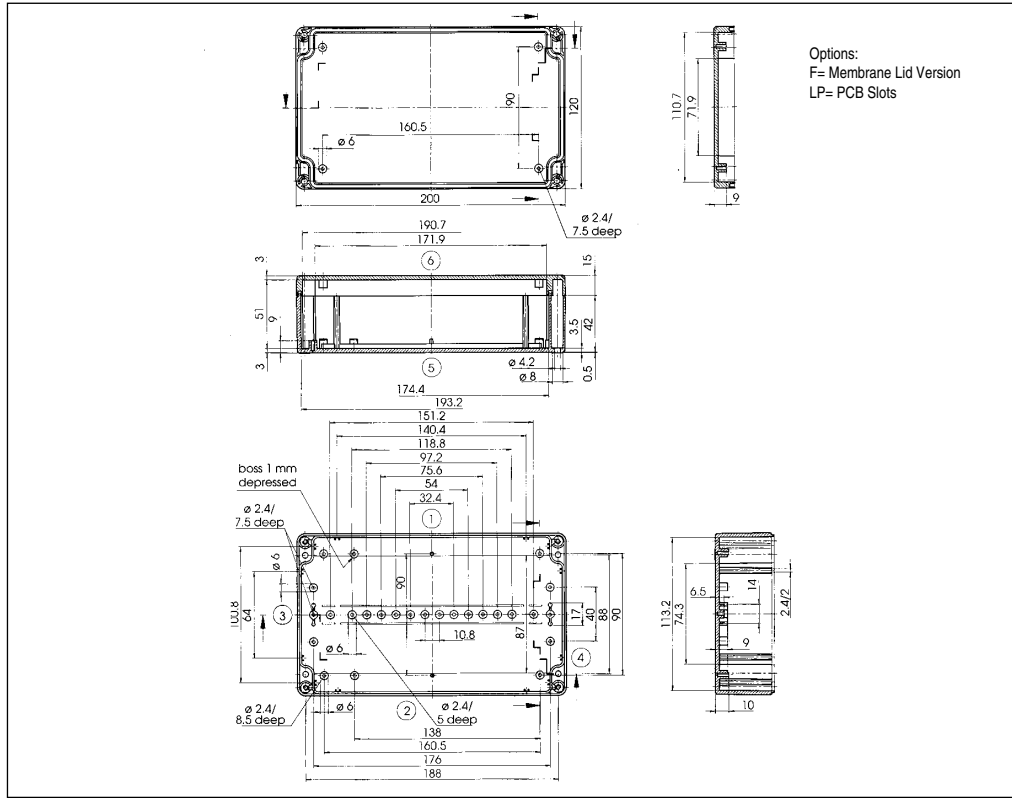
Options:
F= Membrane Lid Version
LP= PCB Slots
EM 213 is a special order.
Minimum order 500+.



Distributed by Electro-Stock, Inc. sales@electrostock.com
630-682-1542 Fax 630-682-1562 http://www.electrostock.com

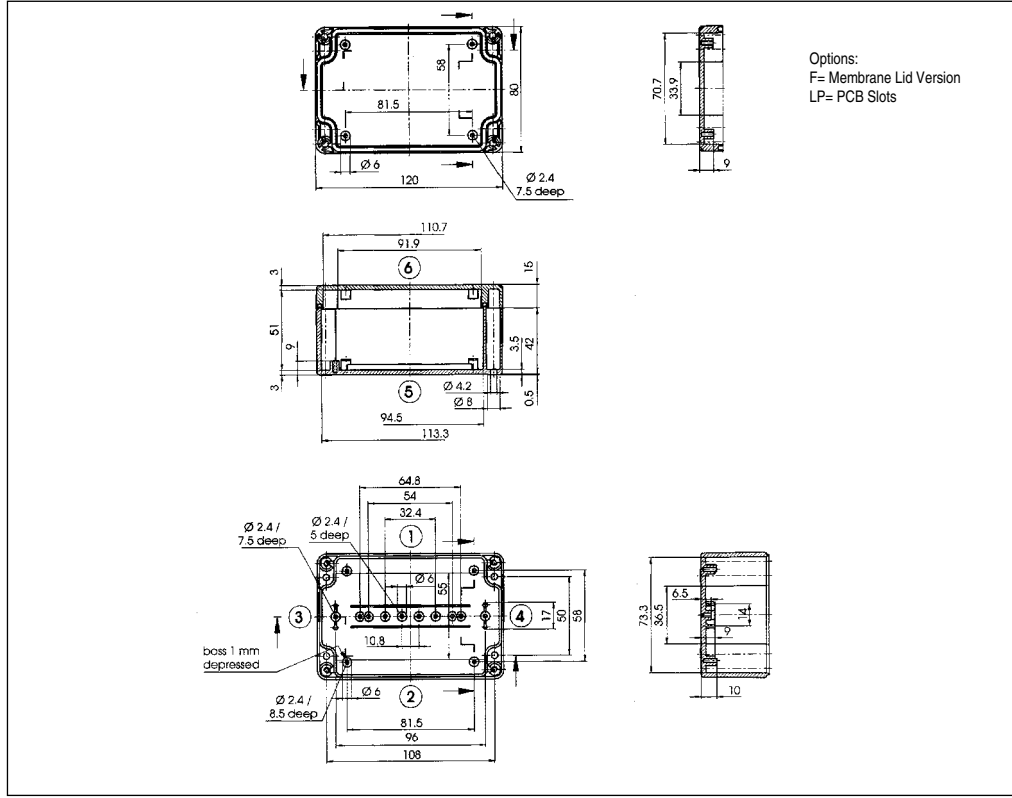
EM/ET 214 External Dimensions: L200 x W120 x H57 mm Page 1-17, 23

<p>Standard Features</p> <ul style="list-style-type: none"> • 10093000 00 Lid Screws. • 10082002 00 Removable 2.7mm Neoprene Gasket (11.18" length).
<p>Accessories</p> <ul style="list-style-type: none"> • 10019193 00 Lid Screw caps. • 10082013 00 3.3mm Silicone gasket. • 10082021 00 2.62mm RFI Gasket (9.06" length). • 10094111 00 Table feet. • 10019603 00 Mounting Plate. • 10039139 00 Wall Bracket. • 10096217 00 M3x8mm Self tapping screw for mounting plate.
<p>Membrane Lid Detail</p>



EM/ET 215 External Dimensions: L120 x W80 x H57 mm Page 1-17, 23

<p>Standard Features</p> <ul style="list-style-type: none"> • 10093000 00 Lid Screws. • 10082002 00 Removable 2.7mm Neoprene Gasket (15.75" length).
<p>Accessories</p> <ul style="list-style-type: none"> • 10019193 00 Lid Screw caps. • 10082013 00 3.3mm Silicone gasket. • 10082021 00 2.62mm RFI Gasket (15.75" length). • 10094111 00 Table feet. • 10019206 00 Mounting Plate. • 10039139 00 Wall Bracket. • 10096217 00 M3x8 Self tapping screw for mounting plate.
<p>Membrane Lid Detail</p>



Dimensional Drawings

Polycarbonate/ABS Watertight

Distributed by Electro-Stock, Inc. sales@electrostock.com
630-682-1542 Fax 630-682-1562 http://www.electrostock.com

EM/ET 217 External Dimensions: L122 x W120 x H57 mm Page 1-17, 23

<p>Standard Features</p> <ul style="list-style-type: none"> • 10093000 00 Lid Screws • 10082002 00 Removable 2.7mm Neoprene Gasket (11.18" length)
<p>Accessories</p> <ul style="list-style-type: none"> • 10019193 00 Lid Screw caps • 10082013 00 3.3mm Silicone gasket • 10082021 00 2.5mm RFI Gasket (9.06" length) • 10094111 00 Table feet • 10039139 00 Wall Bracket • 10096217 00 M3x8mm Self tapping screw for mounting plate. • 2200500 00 Mounting plate.
<p>Membrane Lid Detail</p>

Options:
F= Membrane Lid Version
LP= PCB Slots

EM/ET 218 External Dimensions: L150 x W150 x H57 mm Page 1-17, 23

<p>Standard Features</p> <ul style="list-style-type: none"> • 10093000 00 Lid Screws. • 10082002 00 Removable 2.7mm Neoprene Gasket (23.6" length).
<p>Accessories</p> <ul style="list-style-type: none"> • 10019193 00 Lid Screw caps. • 10082013 00 3.3mm Silicone gasket. • 10082021 00 2.5mm RFI Gasket (23.6" length). • 10094111 00 Table feet. • 10039139 00 Wall Bracket. • 10019506 00 Mounting plate. • 10096217 00 Self tapping screw for mounting plate.
<p>Membrane Lid Detail</p>

Options:
F= Membrane Lid Version
LP= PCB Slots

Polycarbonate/ABS Watertight

Distributed by Electro-Stock, Inc. sales@electrostock.com
630-682-1542 Fax 630-682-1562 http://www.electrostock.com

EM/ET 223

External Dimensions: L200 x W150 x H77 mm

Page 1-17, 23

Standard Features
<ul style="list-style-type: none"> • 10093000 00 Lid Screws. • 10082002 00 Removable 2.7mm Neoprene Gasket (18.9" length).
Accessories
<ul style="list-style-type: none"> • 10019193 00 Lid Screw caps. • 10082013 00 3.3mm Silicone gasket. • 10082021 00 2.62mm RFI Gasket (18.9" length). • 10094111 00 Table feet. • 10039139 00 Wall Bracket. • 10096217 00 Self tapping screw for mounting plate. • 22000800 Mounting plate.
Membrane Lid Detail

Options:
F= Membrane Lid Version
LP= PCB Slots

EM/ET 224

External Dimensions: L240 x W80 x H60 mm

Page 1-17, 23

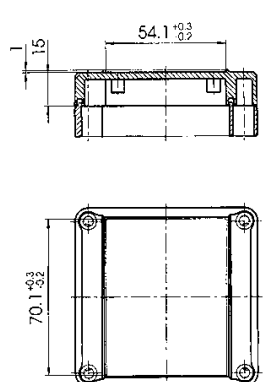
Standard Features
<ul style="list-style-type: none"> • 10093000 00 Lid Screws. • 10082002 00 Removable 2.7mm Neoprene Gasket (18.9" length).
Accessories
<ul style="list-style-type: none"> • 10019193 00 Lid Screw caps. • 10082013 00 3.3mm Silicone gasket. • 10082021 00 2.62mm RFI Gasket (18.9" length). • 10094111 00 Table feet. • 10039139 00 Wall Bracket. • 10096217 00 Self tapping screw for mounting plate. • 22224001 Mounting plate.
Membrane Lid Detail

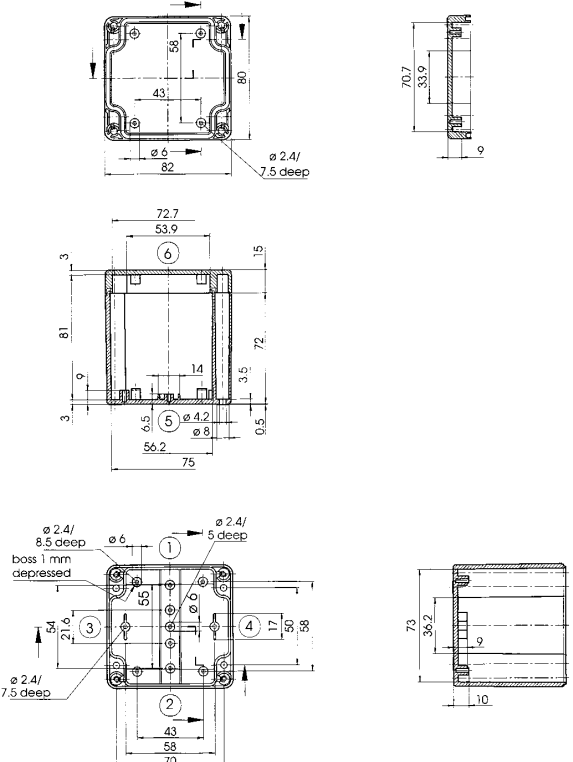
Options:
F= Membrane Lid Version
LP= PCB Slots

EM/ET 225

External Dimensions: L82 x W80 x H87 mm

Page 1-17, 23

<p>Standard Features</p> <ul style="list-style-type: none"> • 10093000 00 M4x62 Stainless steel captive combo head lid screws. • 10082002 00 Removable 2.7mm Neoprene Gasket (8.03" length).
<p>Accessories</p> <ul style="list-style-type: none"> • 10019193 00 Lid Screw caps. • 10082013 00 3.3mm Silicone gasket. • 10082021 00 2.62mm RFI Gasket (8.03" length). • 10094111 00 Table feet. • 10039139 00 Wall Bracket. • 10019086 00 Mounting plate. • 10096217 00 Self tapping screw for mounting plate.
<p>Membrane Lid Detail</p> 

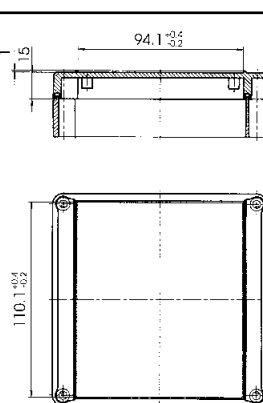


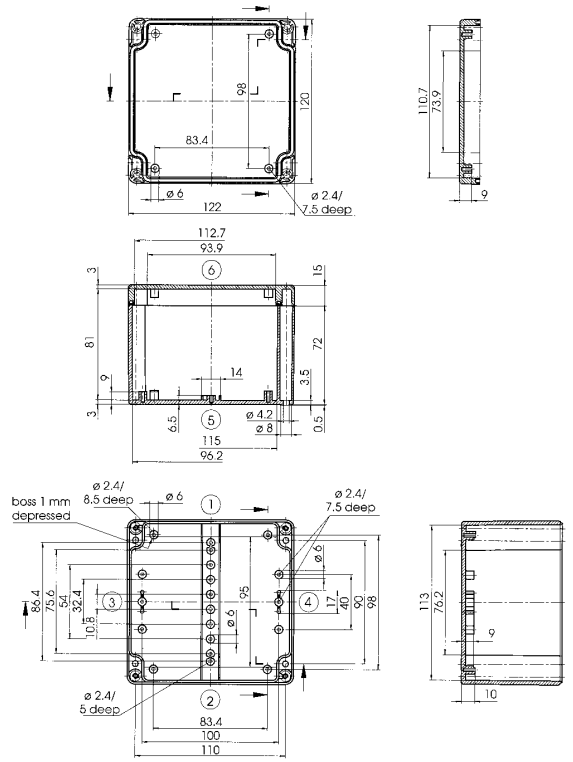
Options:
 F= Membrane Lid Version
 LP= PCB Slots

EM/ET 227

External Dimensions: L122 x W120 x H87 mm

Page 1-17, 23

<p>Standard Features</p> <ul style="list-style-type: none"> • 10093000 00 M4x62 Stainless steel captive combo head lid screws. • 10082002 00 Removable 2.7mm Neoprene Gasket (8.03" length).
<p>Accessories</p> <ul style="list-style-type: none"> • 10019193 00 Lid Screw caps. • 10082013 00 3.3mm Silicone gasket. • 10082021 00 2.62mm RFI Gasket (8.03" length). • 10094111 00 Table feet. • 10039139 00 Wall bracket. • 22000500 Mounting plate. • 10096217 00 Self tapping screw for mounting plate.
<p>Membrane Lid Detail</p> 



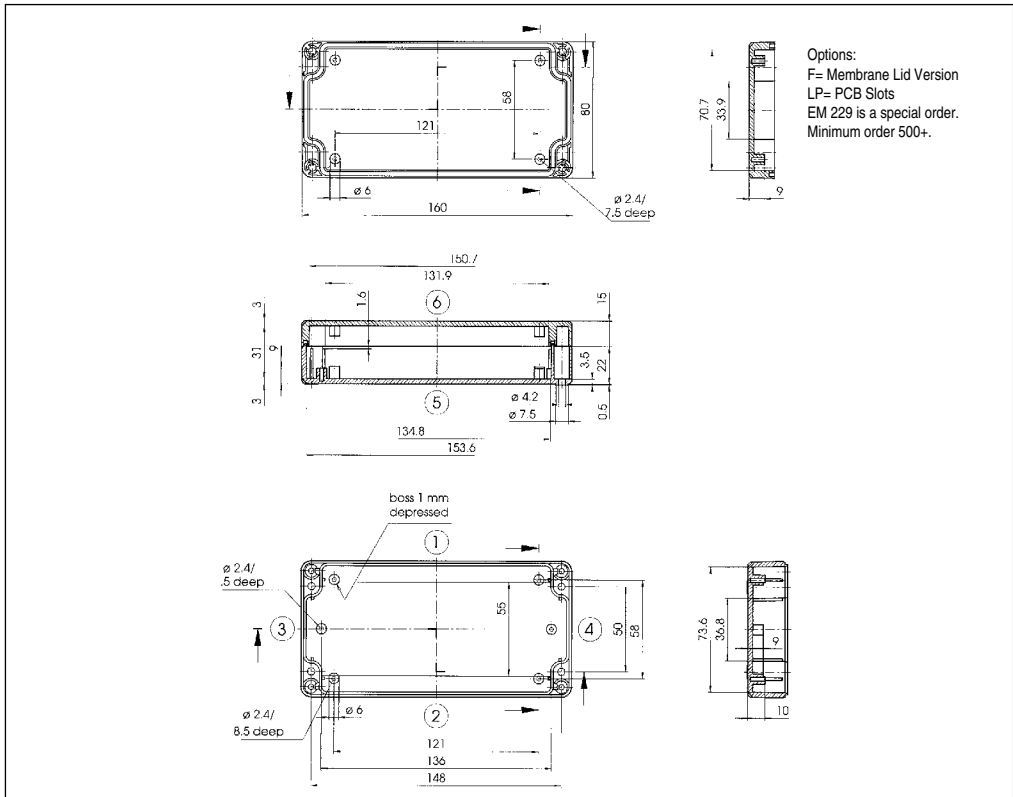
Options:
 F= Membrane Lid Version
 LP= PCB Slots

Polycarbonate/ABS Watertight

Distributed by Electro-Stock, Inc. sales@electrostock.com
 630-682-1542 Fax 630-682-1562 http://www.electrostock.com

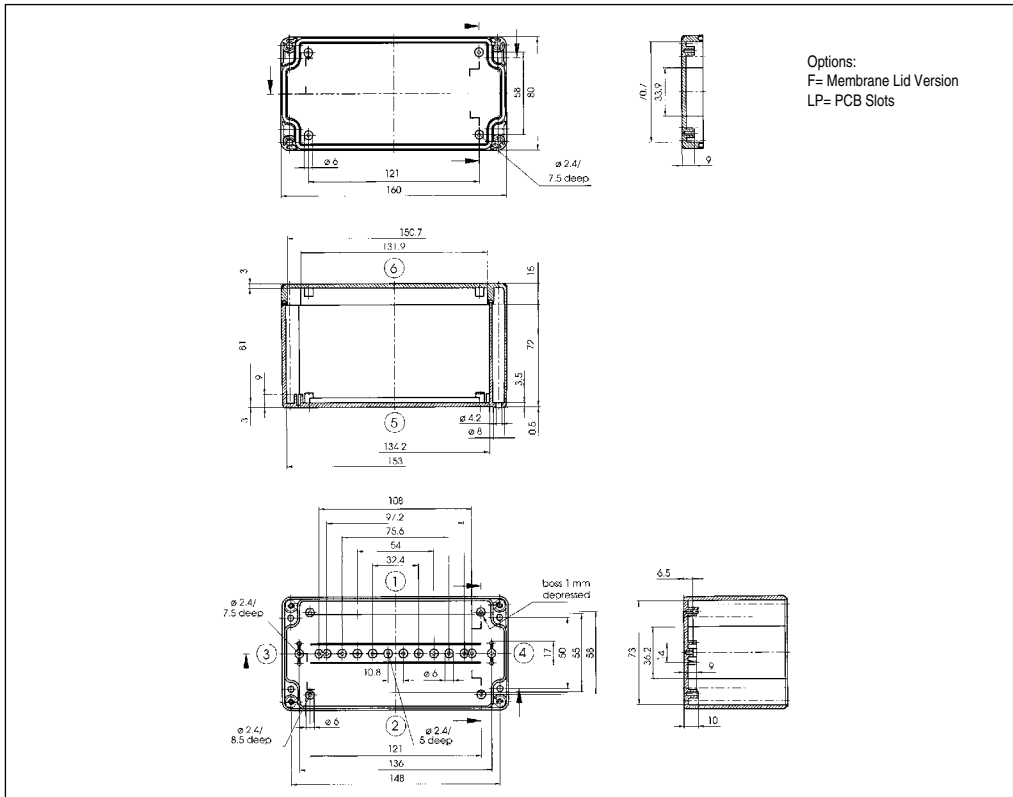
EM/ET 229 External Dimensions: L160 x W80 x H37 mm **Page 1-17, 23**

Standard Features
<ul style="list-style-type: none"> • 10093000 00 M4x62 Stainless steel captive combo head lid screws. • 10082002 00 Removable 2.7mm Neoprene Gasket (8.03" length).
Accessories
<ul style="list-style-type: none"> • 10019193 00 Lid Screw caps. • 10082013 00 3.3mm Silicone gasket. • 10082021 00 2.62mm RFI Gasket (8.03" length). • 10094111 00 Table feet. • 10039139 00 Wall bracket.
Membrane Lid Detail



EM/ET 231 External Dimensions: L160 x W80 x H87 mm **Page 1-17, 23**

Standard Features
<ul style="list-style-type: none"> • 10093000 00 M4x62 Stainless steel captive combo head lid screws. • 10082002 00 Removable 2.7mm Neoprene Gasket (8.03" length).
Accessories
<ul style="list-style-type: none"> • 10019193 00 Lid Screw caps. • 10082013 00 3.3mm Silicone gasket. • 10082021 00 2.62mm RFI Gasket (8.03" length). • 10094111 00 Table feet. • 10039139 00 Wall bracket. • 10019606 00 Mounting plate. • 10096217 00 M3x8mm Self tapping screw for mounting plate.
Membrane Lid Detail

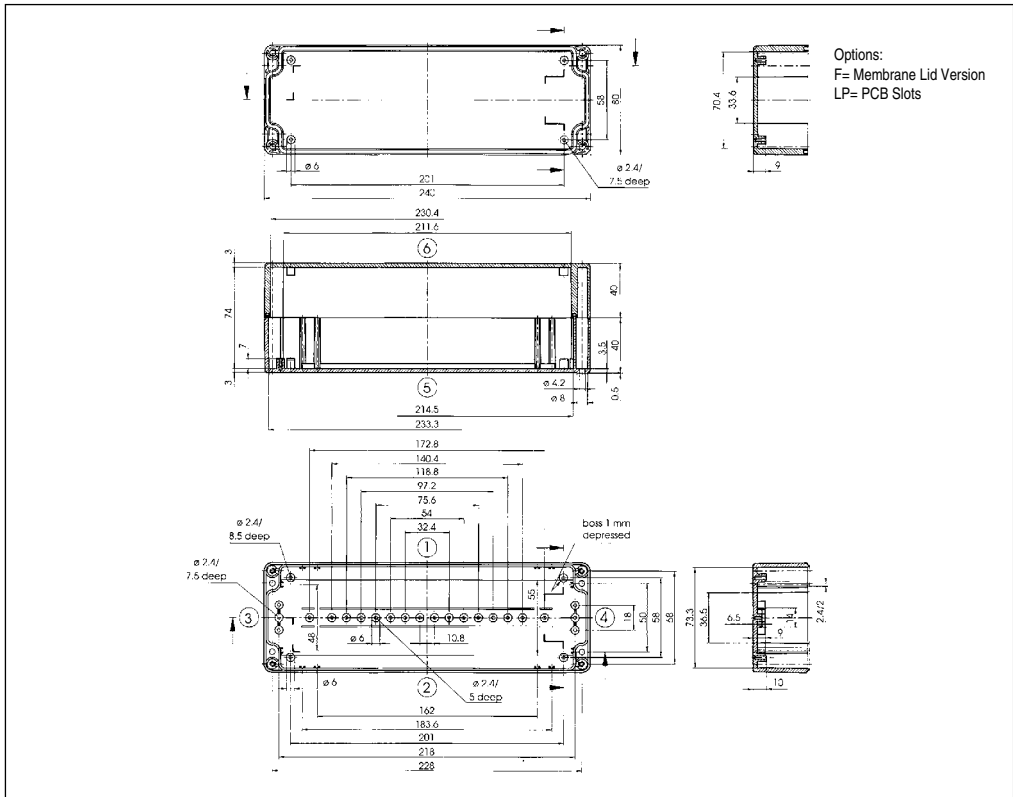


Polycarbonate/ABS Watertight

Distributed by Electro-Stock, Inc. sales@electrostock.com
 630-682-1542 Fax 630-682-1562 http://www.electrostock.com

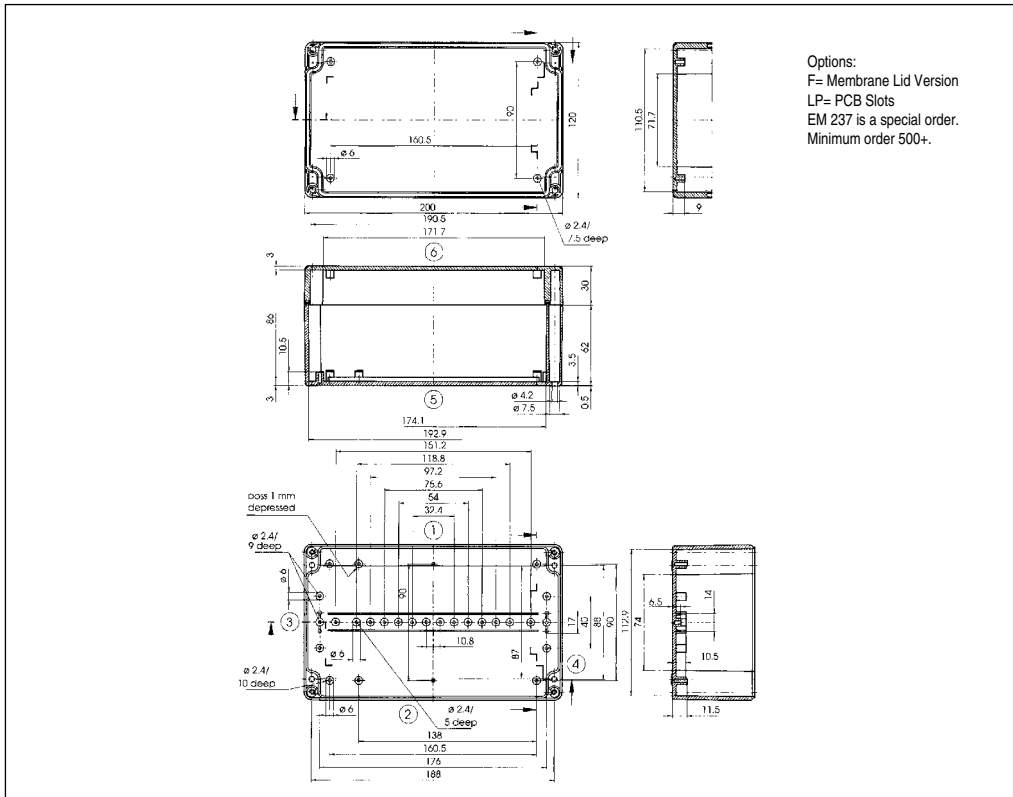
EM/ET 236 External Dimensions: L240 x W80 x H80 mm Page 1-17, 23

Standard Features
<ul style="list-style-type: none"> • 10093000 00 M4x62 Stainless steel captive combo head lid screws. • 10082002 00 Removable 2.7mm Neoprene Gasket (8.03" length).
Accessories
<ul style="list-style-type: none"> • 10019193 00 Lid Screw caps. • 10082013 00 3.3mm Silicone gasket. • 10082021 00 2.62mm RFI Gasket (8.03" length). • 10094111 00 Table feet. • 10039139 00 Wall bracket. • 22224001 Mounting Plate. • 10096217 00 M3x8mm Self tapping screw for mounting plate.
Membrane Lid Detail



EM/ET 237 External Dimensions: L200 x W120 x H92 mm Page 1-17, 23

Standard Features
<ul style="list-style-type: none"> • 10093000 00 M4x62 Stainless steel captive combo head lid screws. • 10082002 00 Removable 2.7mm Neoprene Gasket (8.03" length).
Accessories
<ul style="list-style-type: none"> • 10019193 00 Lid Screw caps. • 10082013 00 3.3mm Silicone gasket. • 10082021 00 2.62mm RFI Gasket (8.03" length). • 10094111 00 Table feet. • 10039139 00 Wall bracket. • 10019008 00 Mounting plate. • 10096217 00 Self tapping screw for mounting plate.
Membrane Lid Detail



Polycarbonate/ABS Watertight

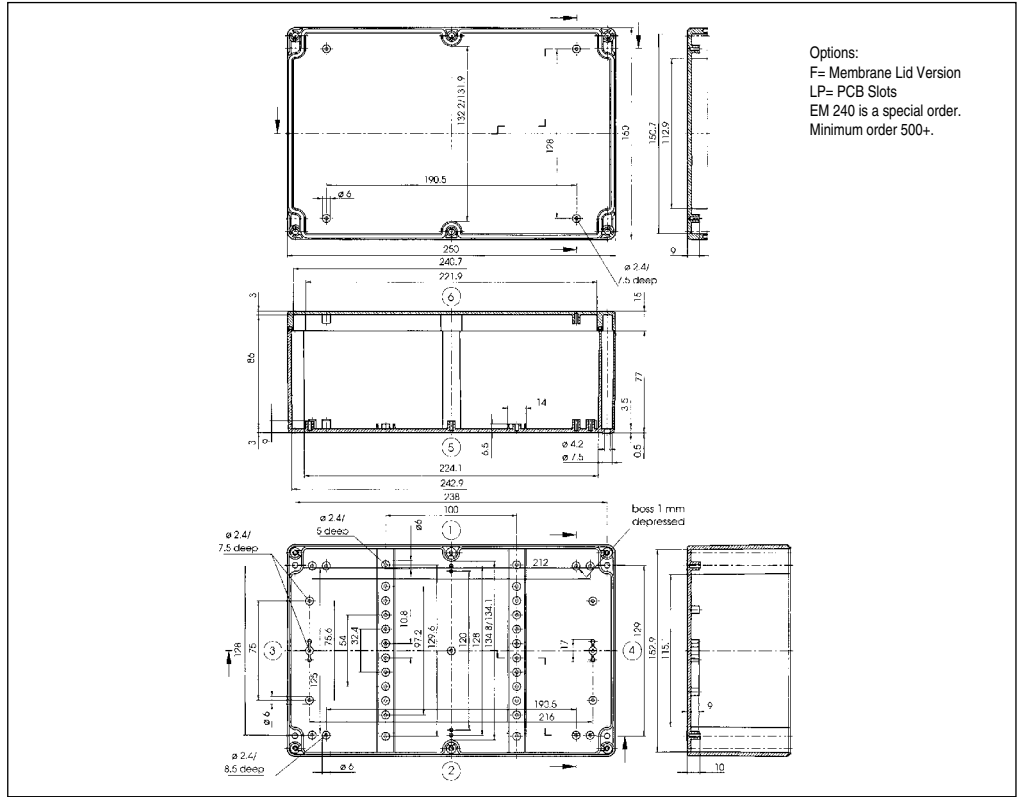
Distributed by Electro-Stock, Inc. sales@electrostock.com
 630-682-1542 Fax 630-682-1562 http://www.electrostock.com

EM/ET 240

External Dimensions: L250 x W160 x H92 mm

Page 1-17, 23

Standard Features
<ul style="list-style-type: none"> • 10093000 00 M4x62 Stainless steel captive combo head lid screws. • 10082002 00 Removable 2.7mm Neoprene Gasket (8.03" length).
Accessories
<ul style="list-style-type: none"> • 10019193 00 Lid Screw caps. • 10082013 00 3.3mm Silicone gasket. • 10082021 00 2.62mm RFI Gasket (8.03" length). • 10094111 00 Table feet. • 10039139 00 Wall bracket. • 22000900 Mounting plate. • 10096217 00 Self tapping screw for mounting plate.
Membrane Lid Detail

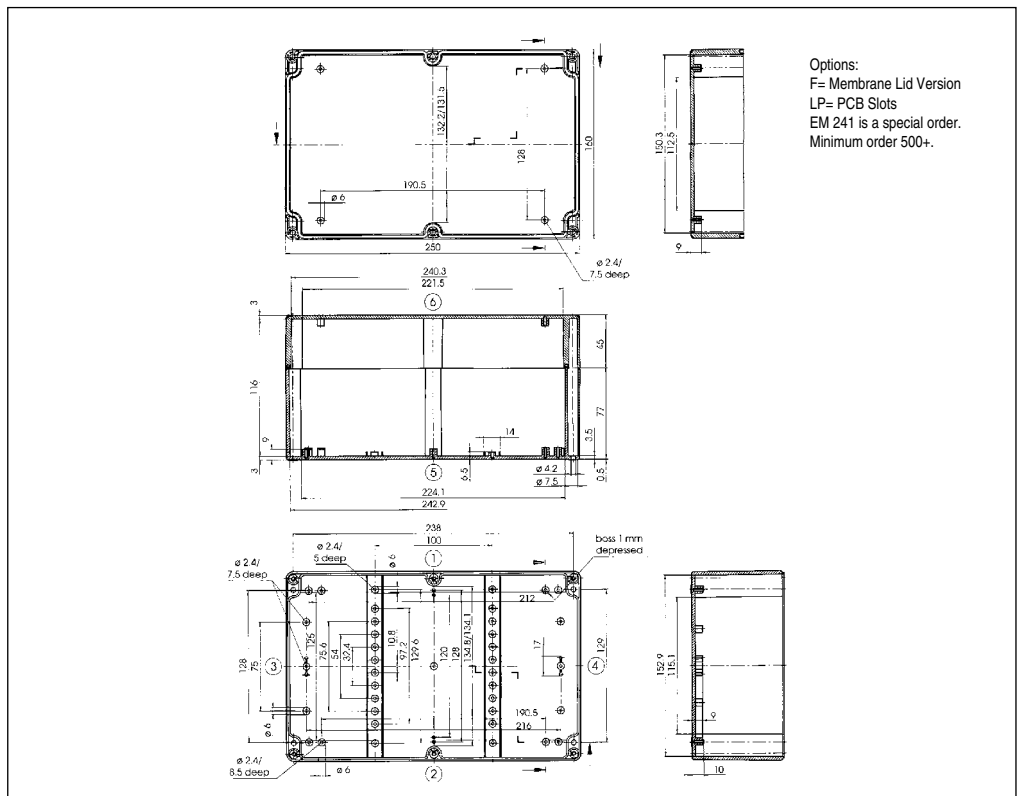


EM/ET 241

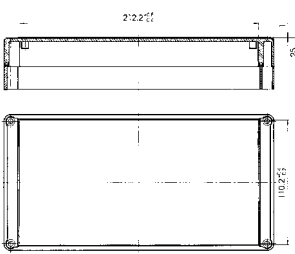
External Dimensions: L250 x W160 x H122 mm

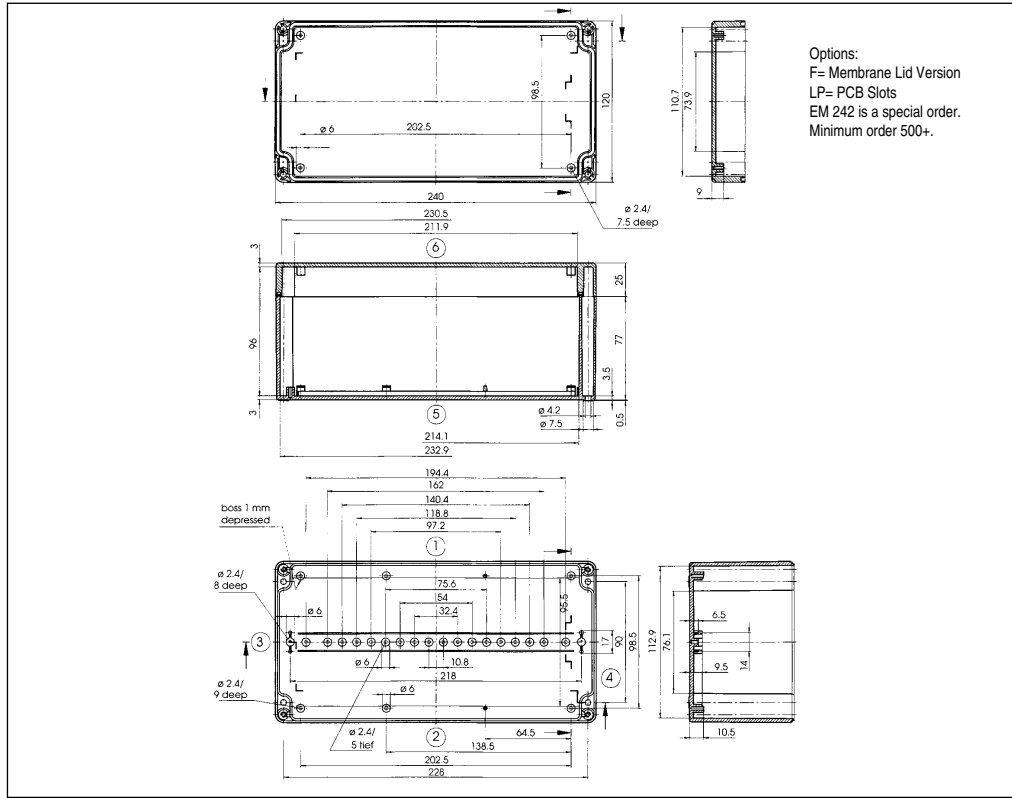
Page 1-17, 23

Standard Features
<ul style="list-style-type: none"> • 10093000 00 M4x62 Stainless steel captive combo head lid screws. • 10082002 00 Removable 2.7mm Neoprene Gasket (8.03" length).
Accessories
<ul style="list-style-type: none"> • 10019193 00 Lid Screw caps. • 10082013 00 3.3mm Silicone gasket. • 10082021 00 2.62mm RFI Gasket (8.03" length). • 10094111 00 Table feet. • 10039139 00 Wall bracket. • 22000900 Mounting plate. • 10096217 00 M3x8mm Self tapping screw for mounting plate.
Membrane Lid Detail



EM/ET 242 External Dimensions: L250 x W120 x H102 mm Page 1-17, 23

Standard Features
<ul style="list-style-type: none"> • 10093000 00 M4x62 Stainless steel captive combo head lid screws. • 10082002 00 Removable 2.7mm Neoprene Gasket (8.03" length).
Accessories
<ul style="list-style-type: none"> • 10019193 00 Lid Screw caps. • 10082013 00 3.3mm Silicone gasket. • 10082021 00 2.62mm RFI Gasket (8.03" length). • 10094111 00 Table feet. • 10039139 00 Wall bracket. • 22001200 Mounting plate. • 10096217 00 M3x8 Self tapping screw for mounting plate.
Membrane Lid Detail




EM/ET 247 External Dimensions: L300 x W160 x H120 mm Page 1-17, 23

Standard Features
<ul style="list-style-type: none"> • 10093000 00 M4x62 Stainless steel captive combo head lid screws. • 10082002 00 Removable 2.7mm Neoprene Gasket (8.03" length).
Accessories
<ul style="list-style-type: none"> • 10019193 00 Lid Screw caps. • 10082013 00 3.3mm Silicone gasket. • 10082021 00 2.62mm RFI Gasket (8.03" length). • 10094111 00 Table feet. • 10039139 00 Wall bracket. • 22247001 Mounting plate. • 10096217 00 Self tapping screw for mounting plate.
Membrane Lid Detail
