

Distributed by Electro-Stock, Inc. sales@electrostock.com  
630-682-1542 Fax 630-682-1562 http://www.electrostock.com

**Polymas Watertight  
PK Enclosures  
Product Drawings  
Last Updated 1/6/2006**

Rose+Bopla's **Polymas Watertight** enclosures are designed to provide improved oil and petro-chemical resistant properties over Polycarbonate and ABS enclosures, at a lower cost than our

## Polymas Watertight Enclosures

Fiberglass enclosures. The Polymas Watertight enclosures are made of glass filled polyamide which makes them heat-stabilized. These enclosures are offered in two versions: standard enclosures and enclosures featuring ¼ turn lid screws\*. They can also be special ordered with molded-in cable grips.

The Polymas Watertight enclosure includes a molded lid, stainless steel captive lid screws, removable neoprene gasket, and a Polymas base with molded-in bosses for printed circuit boards and mounting boss holes for terminal block rails.

Polymas Watertight Enclosures						
Part Number	Length (Inches/mm)	Width (Inches/mm)	Height (Inches/mm)	Weight	Drawing Page #	
PK 101	2.28 / 58	2.52 / 64	1.34 / 34	.14 lbs	17-85	
PK 102	3.86 / 98	2.52 / 64	1.34 / 34	.21 lbs	17-85	
PK 105	2.95 / 75	3.15 / 80	2.24 / 57	.30 lbs	17-86	
PK 110	4.92 / 125	3.15 / 80	2.24 / 57	.42 lbs	17-86	
PK 115	6.89 / 175	3.15 / 80	2.24 / 57	.56 lbs	17-87	

Polymas Watertight Enclosures With 1/4 Turn Lid Screw						
Part Number	Length (Inches/mm)	Width (Inches/mm)	Height (Inches/mm)	Weight	Drawing Page #	
PK 101 SV	2.28 / 58	2.52 / 64	1.34 / 34	.14 lbs	17-85	
PK 102 SV	3.86 / 98	2.52 / 64	1.34 / 34	.21 lbs	17-85	
PK 105 SV	2.95 / 75	3.15 / 80	2.24 / 57	.30 lbs	17-86	
PK 110 SV	4.92 / 125	3.15 / 80	2.24 / 57	.42 lbs	17-86	
PK 115 SV	6.89 / 175	3.15 / 80	2.24 / 57	.56 lbs	17-87	

Note: Dimensions are external. Metric is the primary dimension. Inch conversions and weights are for the user's convenience and are for reference only. Accessories shown on drawing page.



Standard Polymas Watertight Enclosure and Special Polymas with molded-in special order cable grips.

### TECHNICAL DATA:

- Color: Light Gray (RAL 7001) is standard.
- Material: Polymas material: 30% glass filled, UV stabilized.
- Flammability: Self-extinguishing UL 94 HB / 1.6.
- Gasket Temperature Range:
  - Neoprene Gasket -40°F to +212°F
  - Silicone Gasket -76°F to +266°F
- Protection Classifications:
  - NEMA Types: Up to Nema 12
  - IP 65/DIN EN 60529
- Captive Stainless Steel Lid screws.



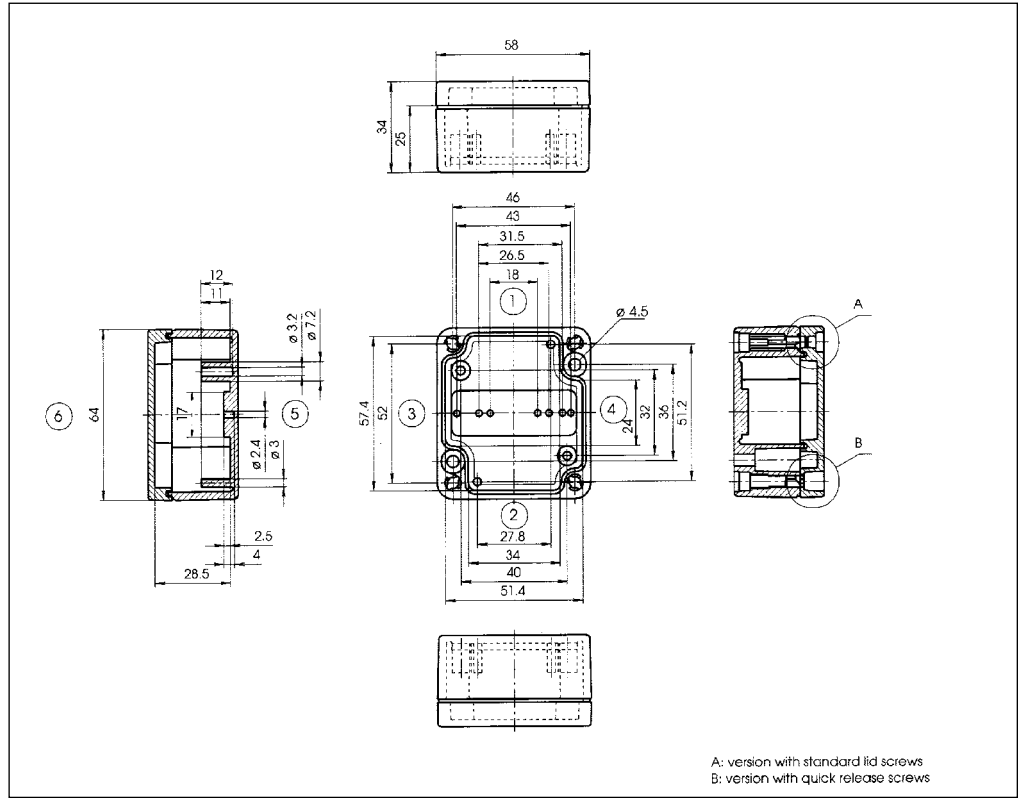
# Polymas Watertight

## PK 101 / 101 SV

External Dimensions: L 58 x W 64 x H 34 mm

Page 1-13

Standard Features
<ul style="list-style-type: none"> <li>• 10093046 00 M4x24 Stainless steel slot-head screws</li> <li>• 10082002 00 Removable 2.7mm neoprene gasket</li> </ul>
Accessories
<ul style="list-style-type: none"> <li>• 10082013 00 3.3mm Silicone Gasket</li> <li>• 10082021 00 2.62mm RFI gasket (9.61" length)</li> <li>• 10019901 00 Mounting plate</li> <li>• 10061224 00 Terminal rails (TS 15)</li> </ul>



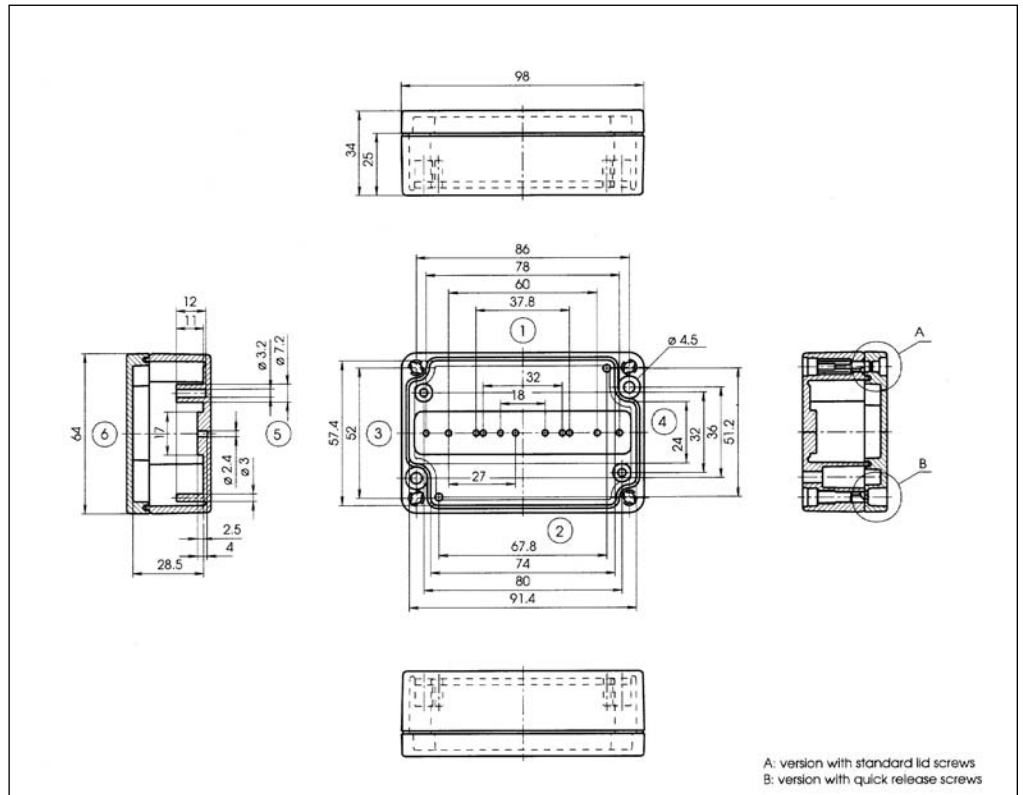
A: version with standard lid screws  
 B: version with quick release screws

## PK 102 / 102 SV

External Dimensions: L 98 x W 64 x H 34 mm

Page 1-13

Standard Features
<ul style="list-style-type: none"> <li>• 10093046 00 M4x24 Stainless steel slot-head screws</li> <li>• 10082002 00 Removable 2.7mm neoprene gasket</li> </ul>
Accessories
<ul style="list-style-type: none"> <li>• 10082013 00 3.3mm Silicone Gasket</li> <li>• 10052021 00 2.62mm RFI gasket (9.61" length)</li> <li>• 10019902 00 Mounting plate</li> <li>• 10061224 00 Terminal rails (TS 15)</li> </ul>



A: version with standard lid screws  
 B: version with quick release screws

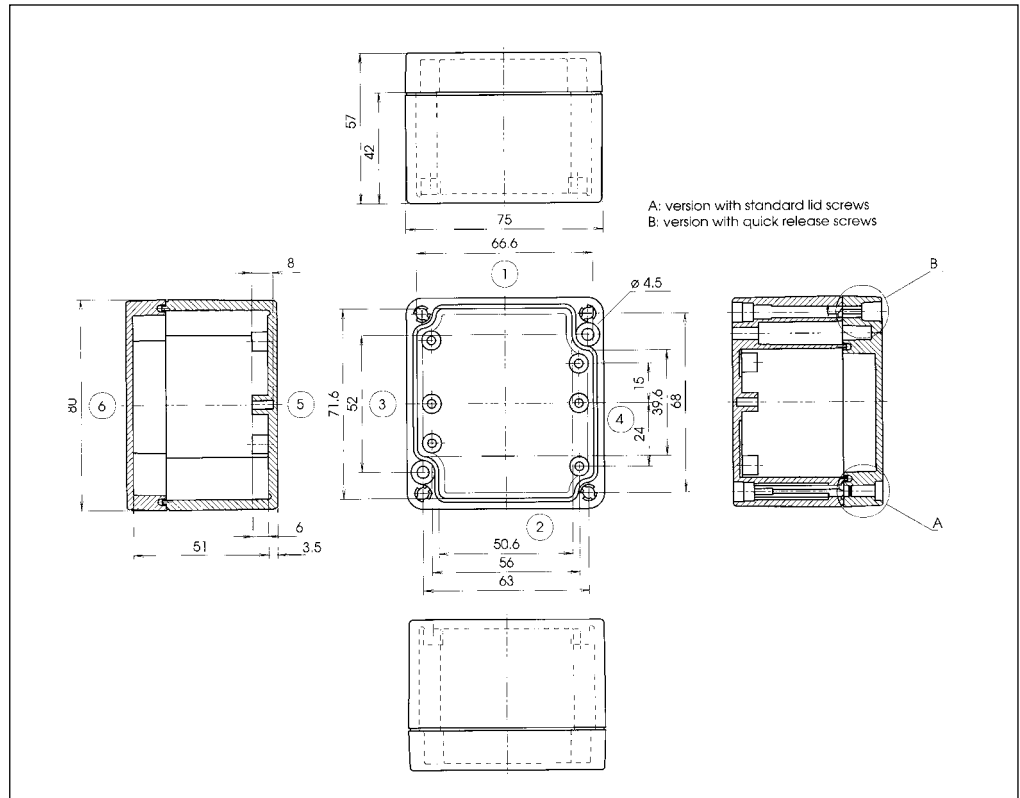
# Polymas Watertight

## PK 105 / 105 SV

External Dimensions: L 75 x W 80 x H 57 mm

Page 1-13

Standard Features
<ul style="list-style-type: none"> <li>• 10093050 00 M4x24 Stainless steel slot-head screws</li> <li>• 10082002 00 Removable 2.7mm neoprene gasket</li> </ul>
Accessories
<ul style="list-style-type: none"> <li>• 10082013 00 3.3mm Silicone Gasket</li> <li>• 10082021 00 2.62mm RFI gasket (9.61" length)</li> <li>• 10019903 00 Mounting plate</li> <li>• 10061226 00 Terminal rails (TS 15)</li> </ul>

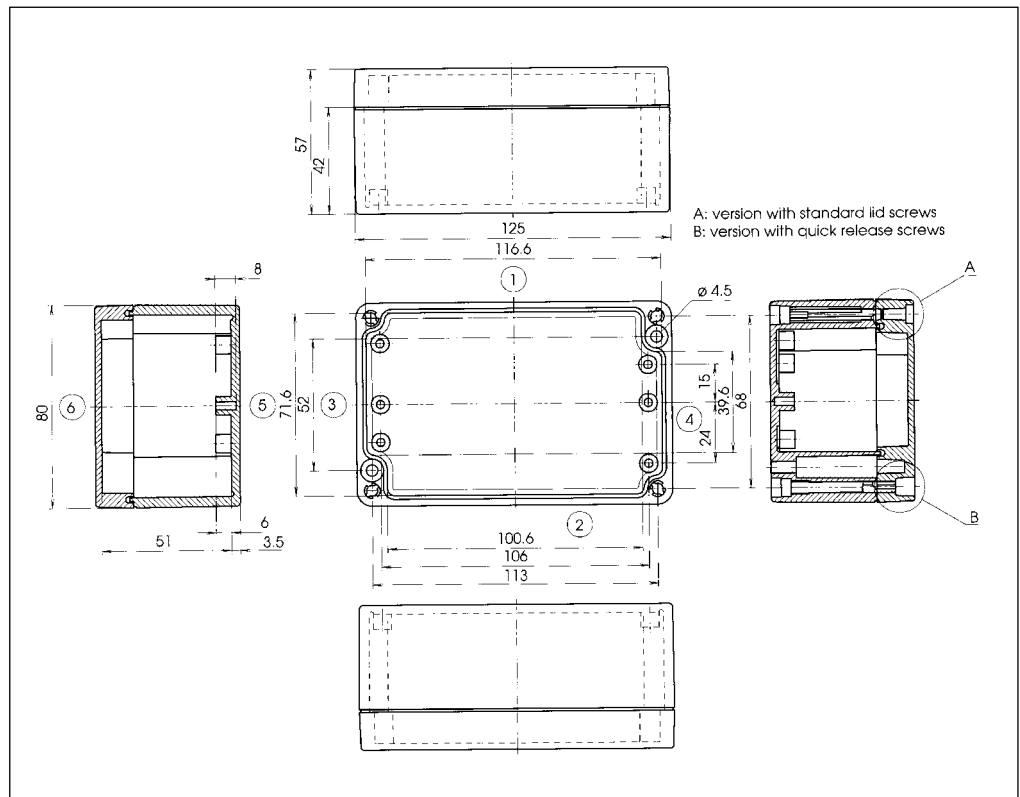


## PK 110 / 110 SV

External Dimensions: L 125 x W 80 x H 57 mm

Page 1-13

Standard Features
<ul style="list-style-type: none"> <li>• 10093050 00 M4x25 Stainless steel slot-head screws</li> <li>• 10082002 00 Removable 2.7mm neoprene gasket</li> </ul>
Accessories
<ul style="list-style-type: none"> <li>• 10082013 00 3.3mm Silicone Gasket</li> <li>• 10082021 00 2.62mm RFI gasket (12.20" length)</li> <li>• 10019904 00 Mounting plate</li> <li>• 10061227 00 Terminal rail (TS 15)</li> </ul>



**PK 115**

**External Dimensions: L 175 x W 80 x H 57 mm**

Standard Features
<ul style="list-style-type: none"> <li>• 10093050 00 M4x25 Stainless steel slot-head screws</li> <li>• 10082002 00 Removable 2.7mm neoprene gasket</li> </ul>
Accessories
<ul style="list-style-type: none"> <li>• 10082013 00 3.3mm Silicone Gasket</li> <li>• 10082021 00 2.62mm RFI gasket (16.14" length)</li> <li>• 10019905 00 Mounting plate</li> <li>• 10061228 00 Terminal rail (TS 15)</li> </ul>

