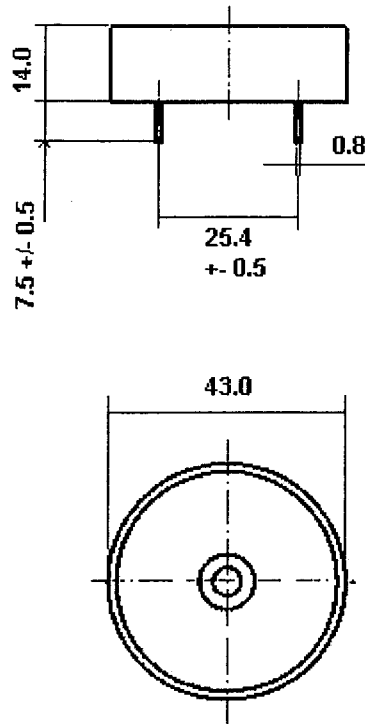


Distributed by Electro-Stock, Inc.
 sales@electrostock.com
 630-682-1542
 Fax 630-682-1562
 http://www.electrostock.com



Parameter	Value	Units
Rated Voltage	12	VDC
Operating Voltage	3 - 15	VDC
Rated Current	25 Max.*	mA
Sound Pressure Level	105 Min.*	dBA
Frequency	2,900 +/- 500	Hz.
Operating Temp. Range	-20 to +60	°C
Storage Temp. Range	-30 to +70	°C

* Value applying rated voltage

TRIP-4330P-A Piezo Audio Indicator

SCALE: Not to Scale	APPROVED BY:	DRAWN BY EDP
DATE: 5/01		REVISED

Transducers-USA Elk Grove Village, IL. USA

DRAWING NUMBER