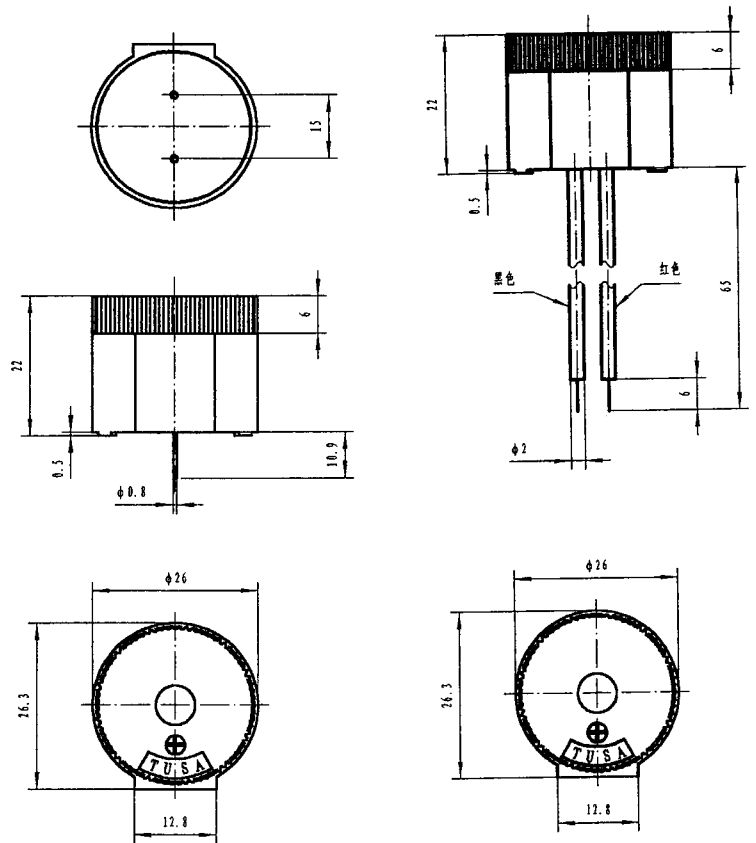


Distributed by Electro-Stock, Inc.
 sales@electrostock.com
 630-682-1542
 Fax 630-682-1562
 http://www.electrostock.com



Parameter	Value		Units
Termination L=Wires / P=Pins	Wire Leads	P.C. Pins	
Rated Voltage	12		VDC
Operating Voltage	6 - 18		VDC
Rated Current	25 Max.*		mA
Sound Pressure Level	97 Min.*@30cm.		dBA
Frequency	2,700 +/-500		Hz.
Operating Temp. Range	-20 to +60		°C
Storage Temp. Range	-30 to +80		°C

* Values at rated voltage

TRIP-80P / TRIP-80L Audio Indicator

SCALE: Not to Scale	APPROVED BY:	DRAWN BY: EDP
DATE: 3/01		REVISED:
Transducers-USA Elk Grove Village, IL. USA		
		DRAWING NUMBER