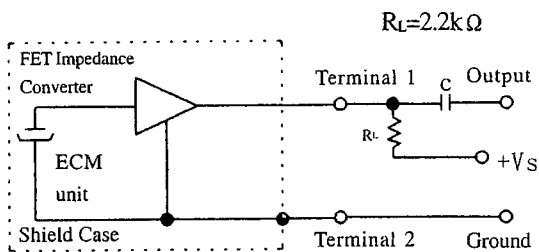
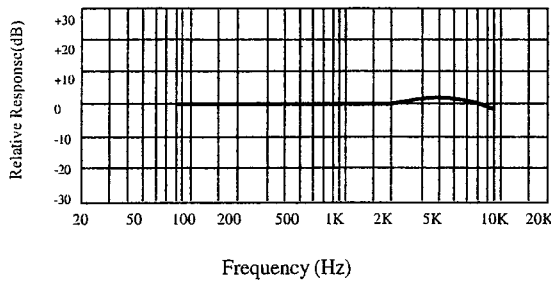
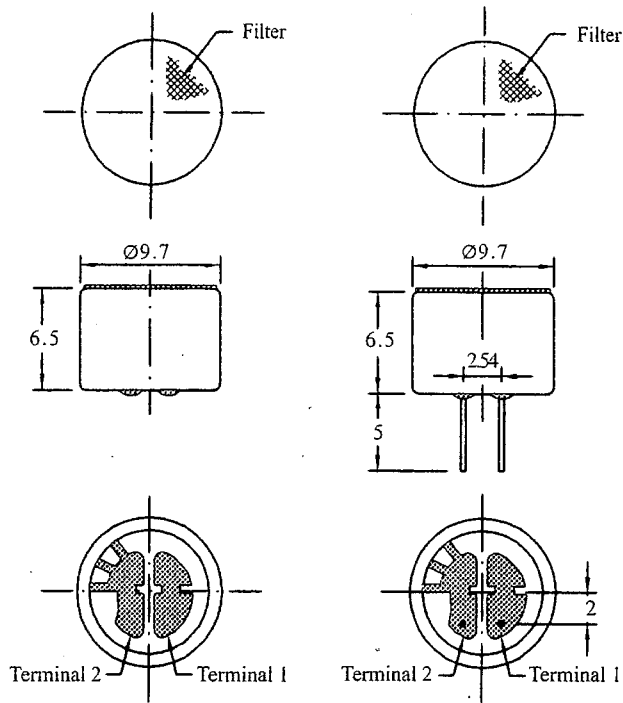


Distributed by Electro-Stock, Inc.
 sales@electrostock.com
 630-682-1542
 Fax 630-682-1562
 http://www.electrostock.com



Parameter	Value	Units
Directivity	Omnidirectional	n/a
Sensitivity	-32/-34/-36/-38/-40 -42/-44/-46 (+/- 3)	0dB=1V/Pa 1 KHz.
Impedance	Low	Ω
Current Consumption	0.5 Max.	mA
Operating Voltage	4.5	Volts
Sensitivity Reduction	Within -3 @ 1.5V	dB
S/N Ratio	More than 60	dB

TRMO-9765H-xx-x ECM		
SCALE: Not to Scale	APPROVED BY:	DRAWN BY EDP
DATE: 8/98		REVISED
Transducers-USA Elk Grove Village, IL. USA		
		DRAWING NUMBER