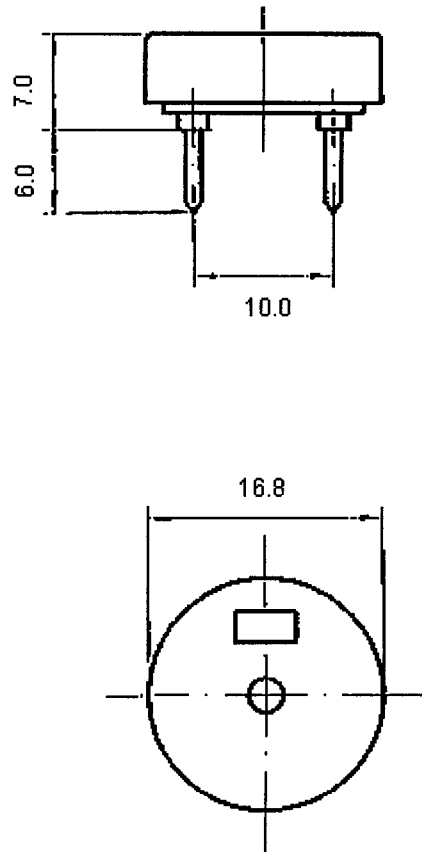


Distributed by Electro-Stock, Inc.
 sales@electrostock.com
 630-682-1542 Fax 630-682-1562
 http://www.electrostock.com



Parameter	Value	Unit
Rated Voltage	12	Vp-p
Maximum Voltage	30	Vp-p
Rated Current	2 Max.*	mA.
Sound Pressure Level	80 Min.*	dBa
Resonant Frequency	4.0 +/- 0.5	KHz.
Operating temp.	-20 - +80	°C
Storage temp.	-30 - +100	°C

* Rating based on 12Vp-p square wave at 4.0 KHz.

TRTP-1740P Piezo Audio Transducer

SCALE: <i>N/A</i>	APPROVED BY:	DRAWN BY <i>SA</i>
DATE: <i>8/99</i>		REVISED _____

Transducers-USA Elk Grove Village, IL. USA

DRAWING NUMBER