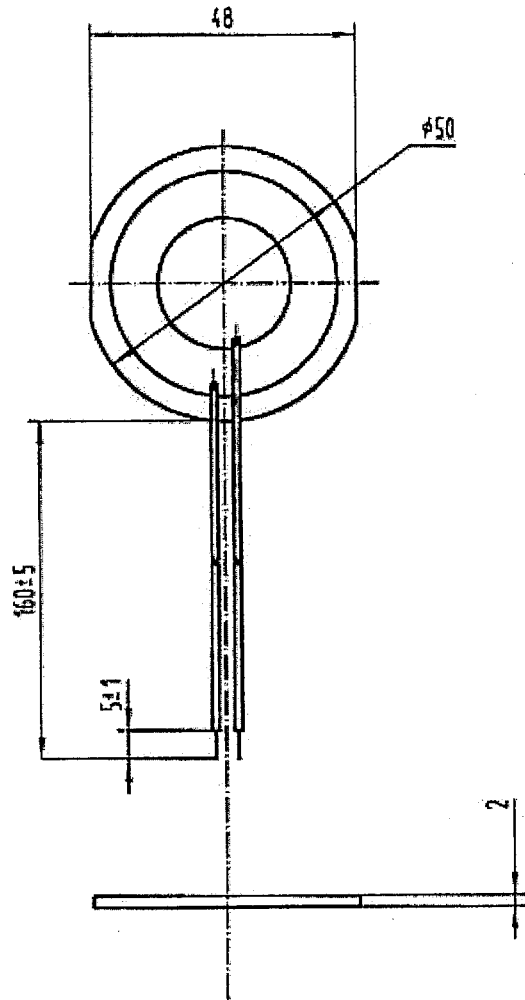


Distributed by Electro-Stock, Inc.  
 sales@electrostock.com  
 630-682-1542 Fax 630-682-1562  
 http://www.electrostock.com



Parameter	Value	Units
Rated Voltage	12V Sq. Wave	Vp-p
Maximum Voltage	30V Sq. Wave	Vp-p
Sound Pressure Level	70 Min.*@ 30cm.	dBa
Rated Current	4 Max.*	KHz.
Resonant Frequency	1.0 +/- 0.5	KHz.
Capacitance	66,000 +/- 30%	pF
Operating Temp. Range	-20 to +60	°C
Storage Temp. Range	-30 to +70	°C

\* Value applying rated voltage at resonant frequency.

<b>TRTP-5010L Piezo Transducer</b>		
SCALE: Not to Scale	APPROVED BY:	DRAWN BY EDP
DATE: 11/98		REVISED
Transducers-USA Elk Grove Village, IL. USA		
		DRAWING NUMBER